

[54] COVER PLATE FOR CEILING FANS

D. 267,196 12/1982 Gomes D23/163

[75] Inventor: Warren E. Dennis, Pasadena, Calif.

OTHER PUBLICATIONS

[73] Assignee: Casablanca Fan Company, Inc., City of Industry, Calif.

Home Lighting & Accessories, Apr. 1980, p. 29, center left item.

[**] Term: 14 Years

Moss Manufacturing, Inc., "The Heirloom Collection" Brochure, dated Jun. 12, 1980, front cover.

[21] Appl. No.: 332,744

Perievluz "The Ceiling Fan Specialists" Brochure, dated Jun. 12, 1980, front cover.

[22] Filed: Dec. 21, 1981

Primary Examiner—James R. Largen

[51] Int. Cl. D23—04

Attorney, Agent, or Firm—Charles H. Schwartz;

[52] U.S. Cl. D23/163

Ellsworth R. Roston

[58] Field of Search D23/151-166;
D26/51, 59, 72; 416/5, 204, 206, 210 R, 241,
248

[57] CLAIM

The ornamental design for a cover plate for ceiling fans, substantially as shown.

[56] References Cited

DESCRIPTION

U.S. PATENT DOCUMENTS

- D. 256,614 8/1980 Hoyt D23/163
- D. 262,570 1/1982 Lock D23/158
- D. 263,499 3/1982 Markowitz D23/163
- D. 267,195 12/1982 Gomes D23/163

FIG. 1 is a top perspective view of a cover plate for ceiling fans showing my new design;

FIG. 2 is a side elevational view thereof; and

FIG. 3 is a bottom plan view thereof.

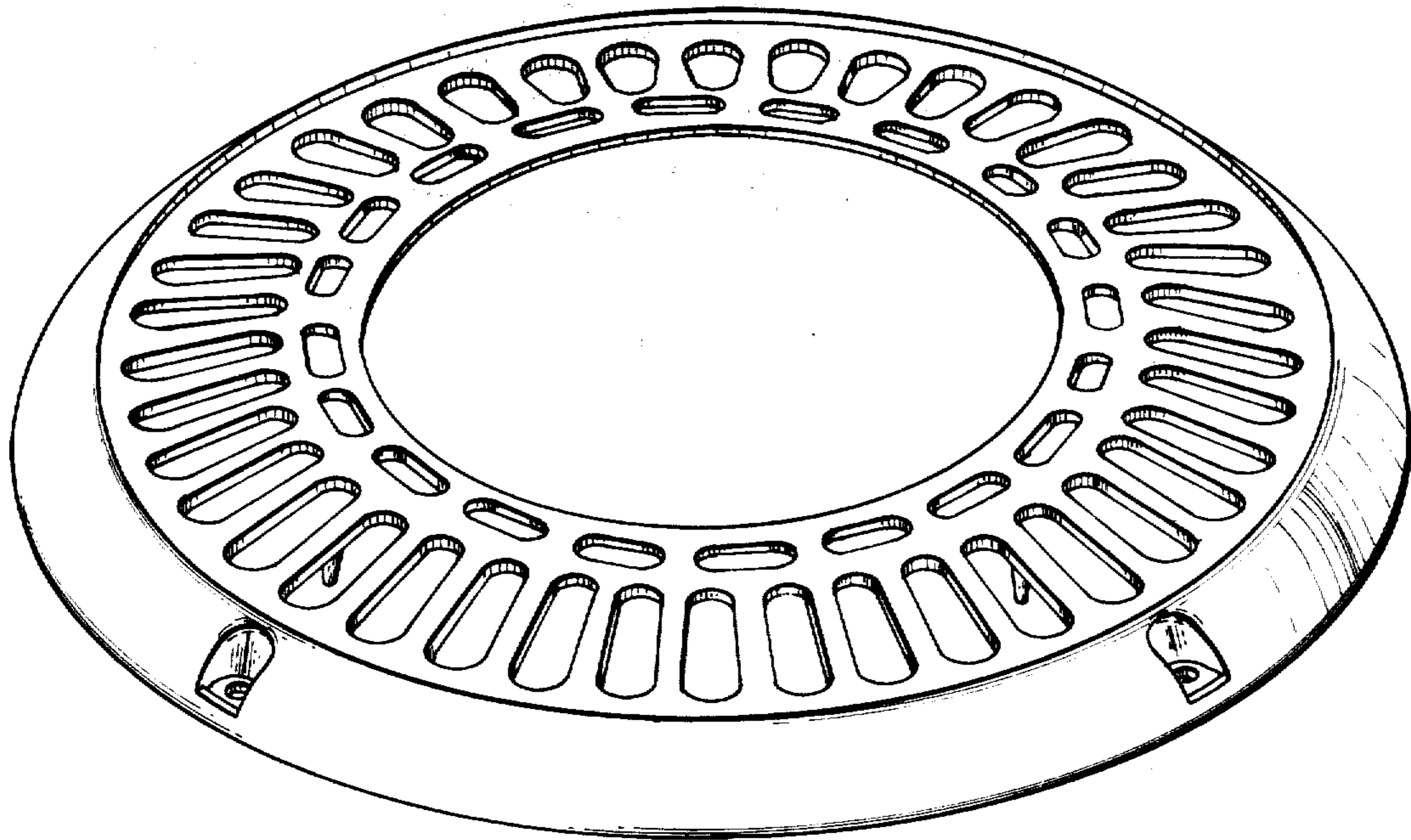


Fig. 1

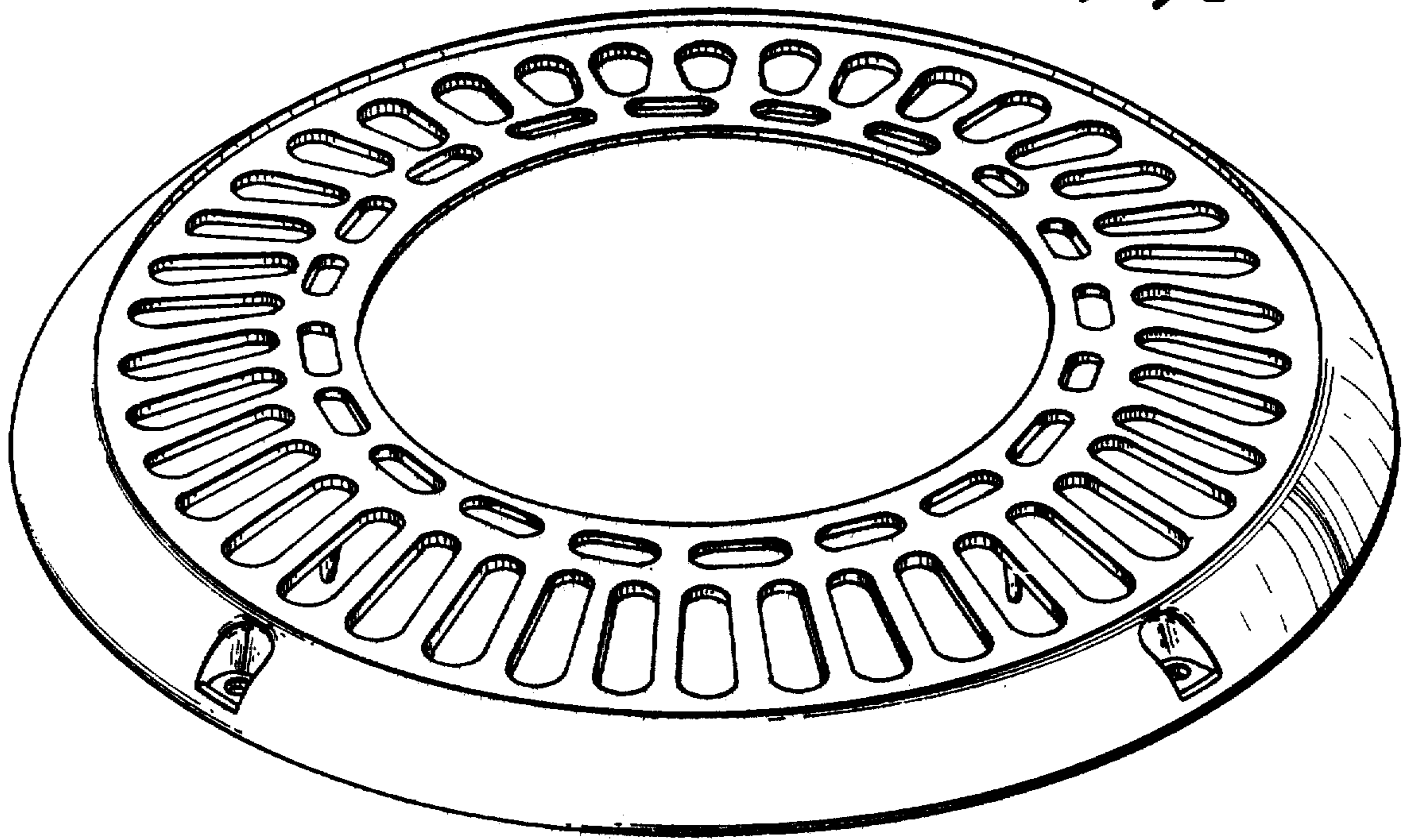


Fig. 2

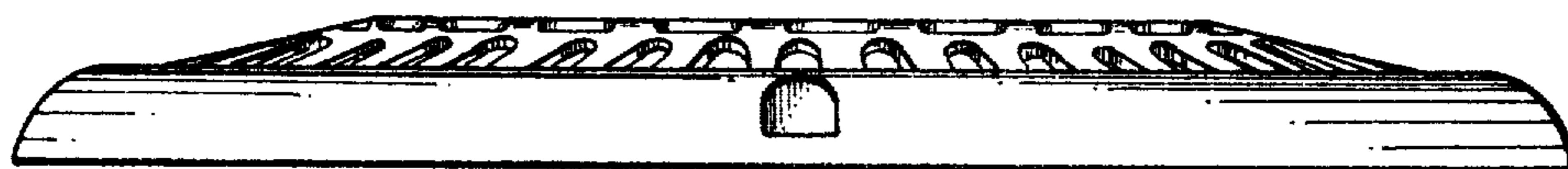


Fig. 3

