

- [54] **EXPANSION COUPLING FOR PLASTIC PIPE**
- [76] **Inventor: Duane D. Logsdon, 1708 Calavera Dr., Fullerton, Calif. 92631**
- [**] **Term: 14 Years**
- [21] **Appl. No.: 228,299**
- [22] **Filed: Jan. 26, 1981**
- [51] **Int. Cl. D23-01**
- [52] **U.S. Cl. D23/43**
- [58] **Field of Search D23/40-47; 285/45, 226, 227, 228, 229, 300, 301, 371**

3,837,685 9/1974 Miller 285/226 X
 4,350,372 9/1982 Logsdon 285/45

FOREIGN PATENT DOCUMENTS

342692 10/1921 Fed. Rep. of Germany 285/226
 2114180 9/1972 Fed. Rep. of Germany 285/45
 2318379 2/1977 France 285/226
 518754 3/1940 United Kingdom 285/226

Primary Examiner—James R. Largen
Attorney, Agent, or Firm—K. H. Boswell; Edward D. O'Brian

[57] **CLAIM**

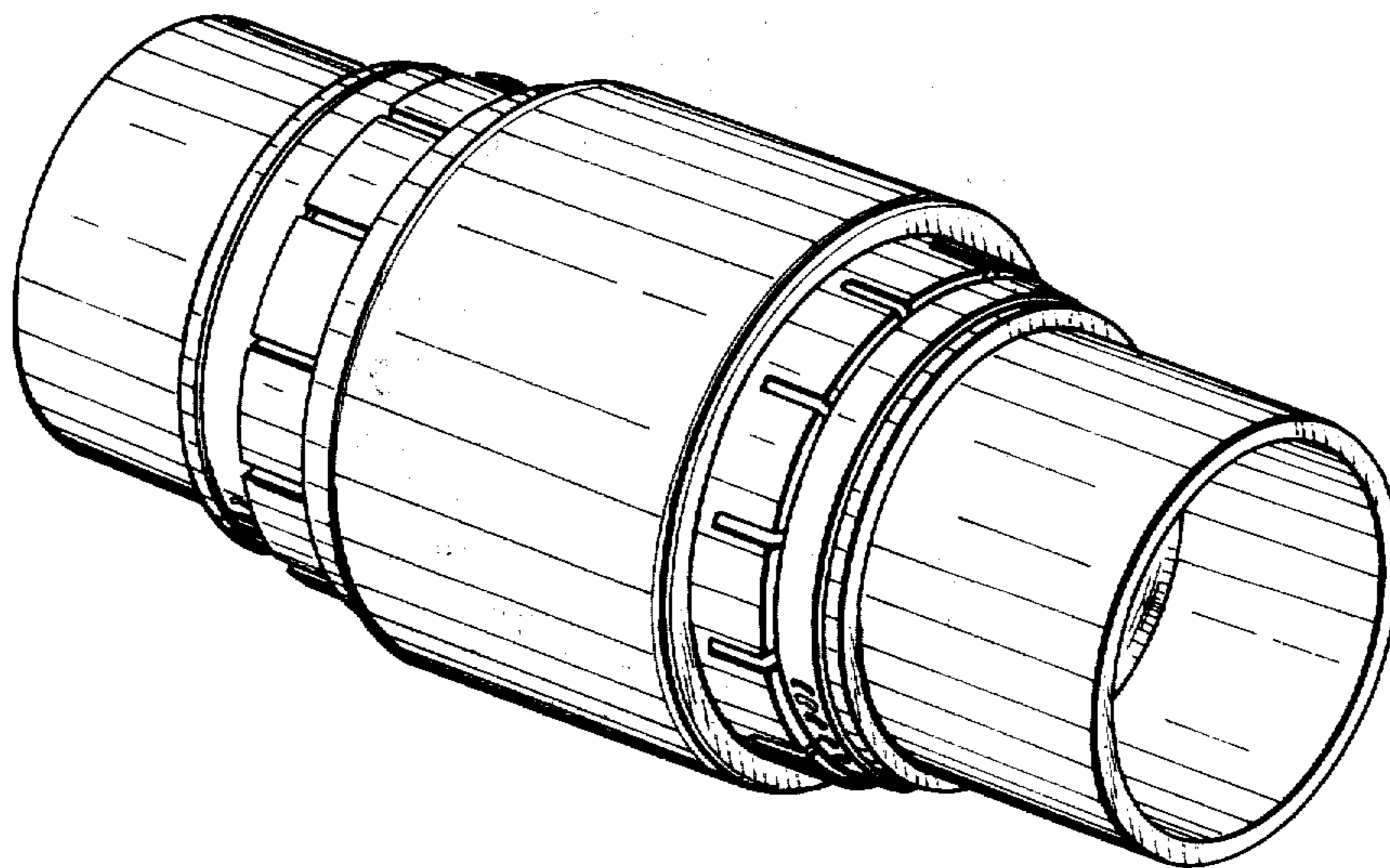
The ornamental design for an expansion coupling for plastic pipe, substantially as shown and described.

DESCRIPTION

FIG. 1 is a perspective view taken from one side of an expansion coupling for plastic pipe showing my new design;
 FIG. 2 is an elevational view taken from the side opposite that shown in FIG. 1;
 FIG. 3 is an elevational view taken from one end thereof; and
 FIG. 4 is an elevational view taken from the end opposite that shown in FIG. 3.

[56] **References Cited**
U.S. PATENT DOCUMENTS

D. 136,056	7/1943	Rocic	D23/43
D. 193,323	7/1962	Hahn et al.	D23/43
D. 221,942	9/1971	Halling	D23/43
1,726,483	8/1929	Giesler	285/45 X
1,786,506	12/1930	Ray	285/301 X
2,565,296	8/1951	Chyle	285/301 X
2,911,238	11/1959	Myers et al.	285/301 X
2,931,669	4/1960	McDonald	285/45
3,495,856	2/1970	Daymond	285/300



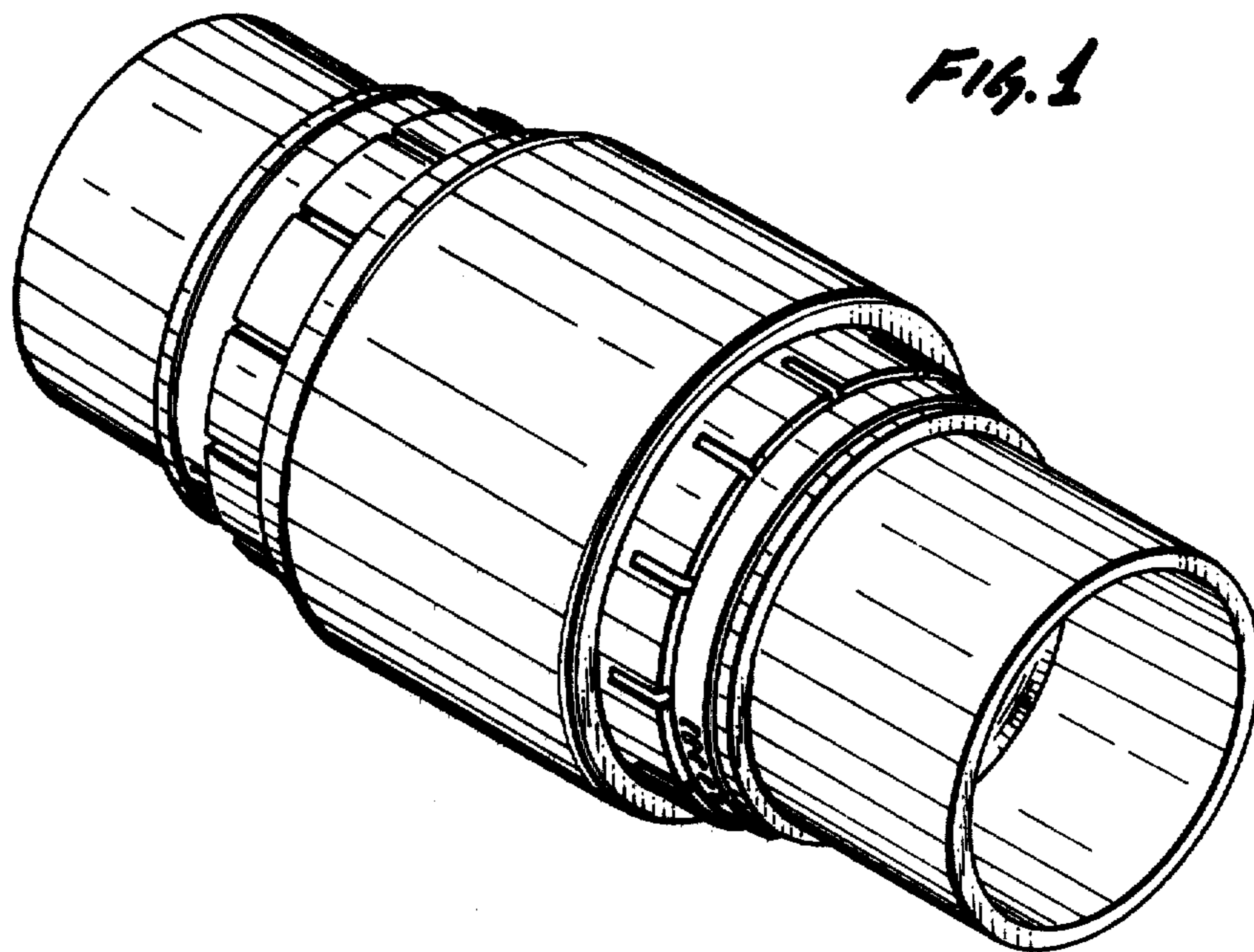


Fig. 1

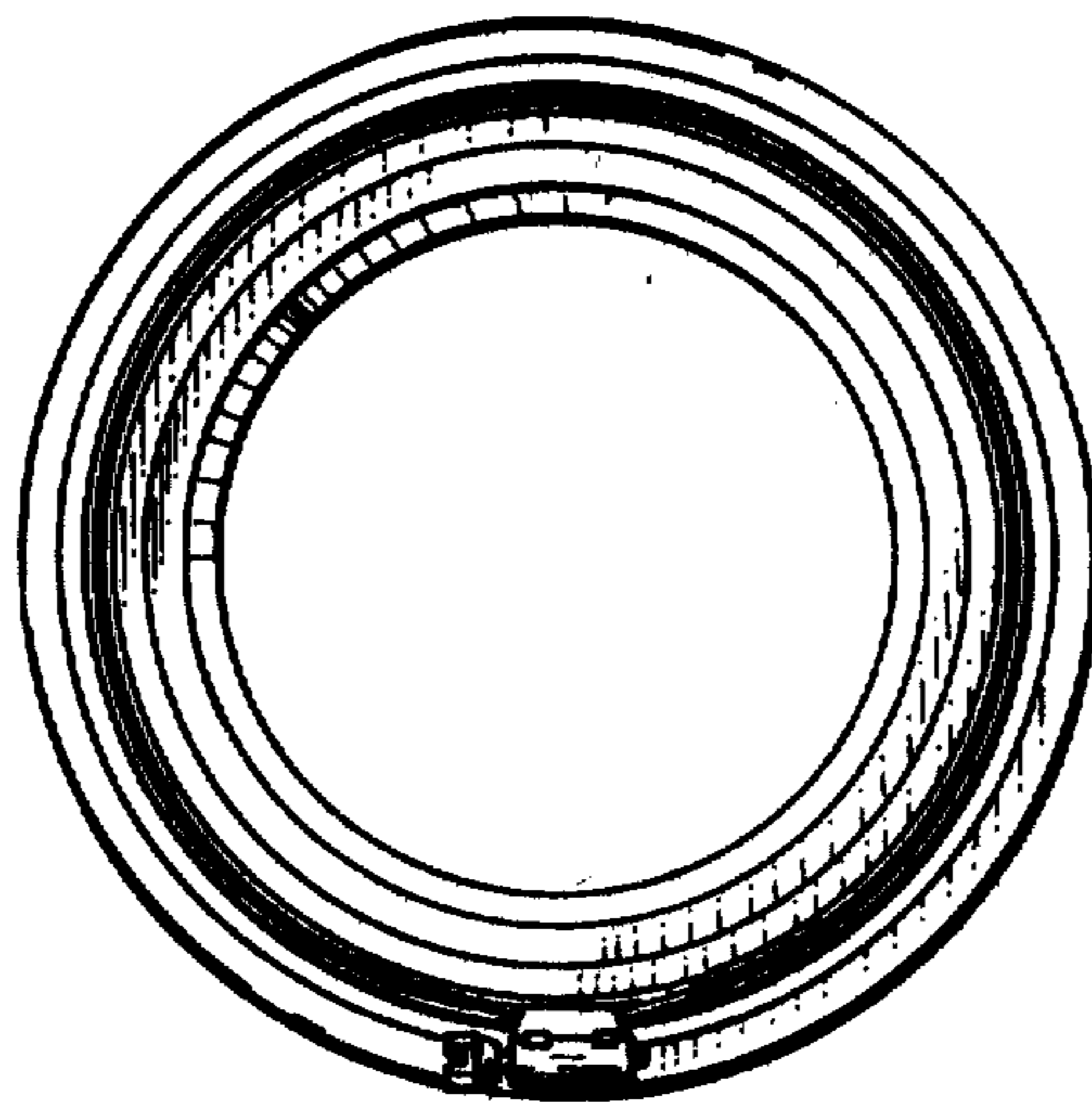


Fig. 3

Fig. 2

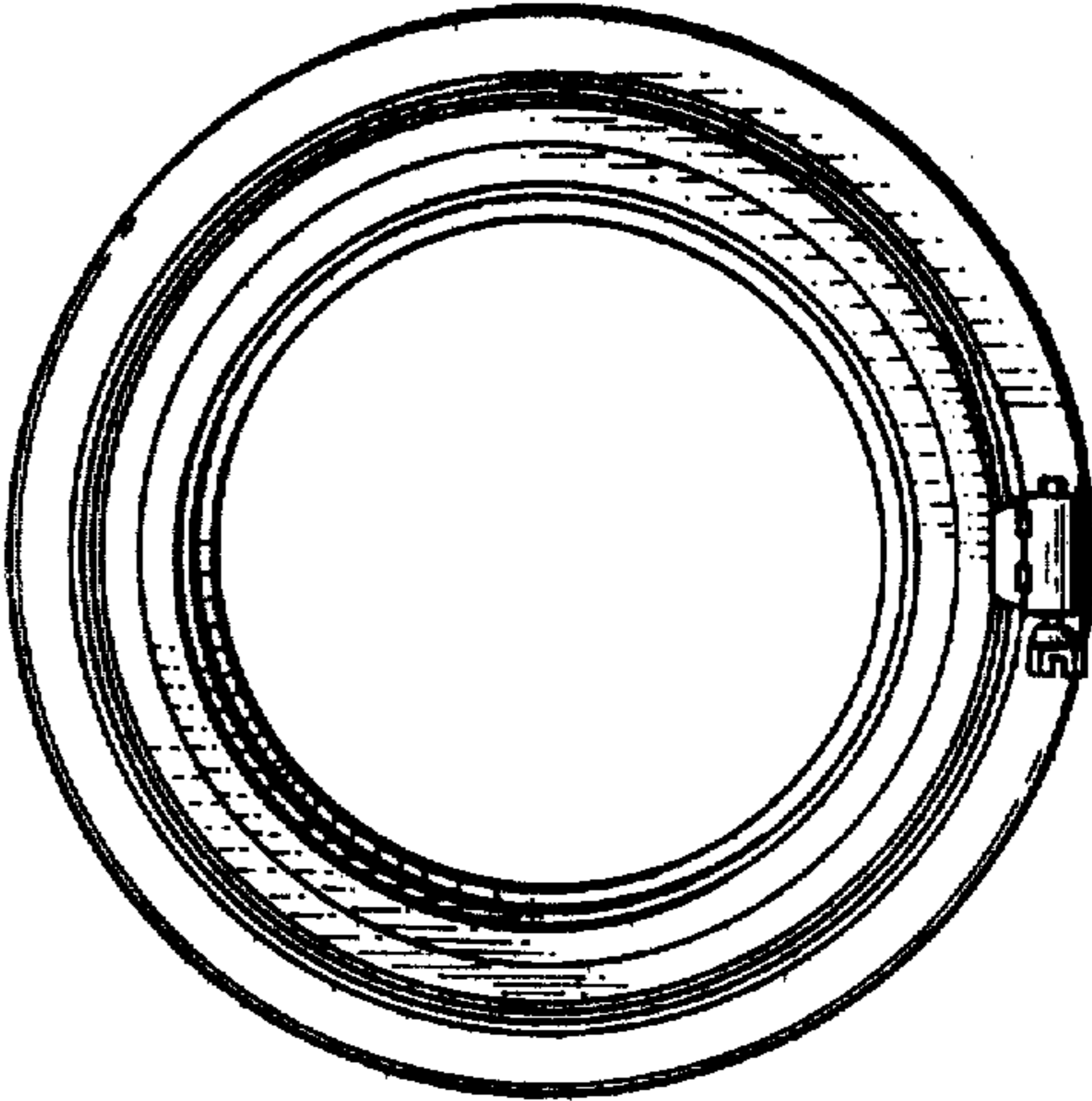
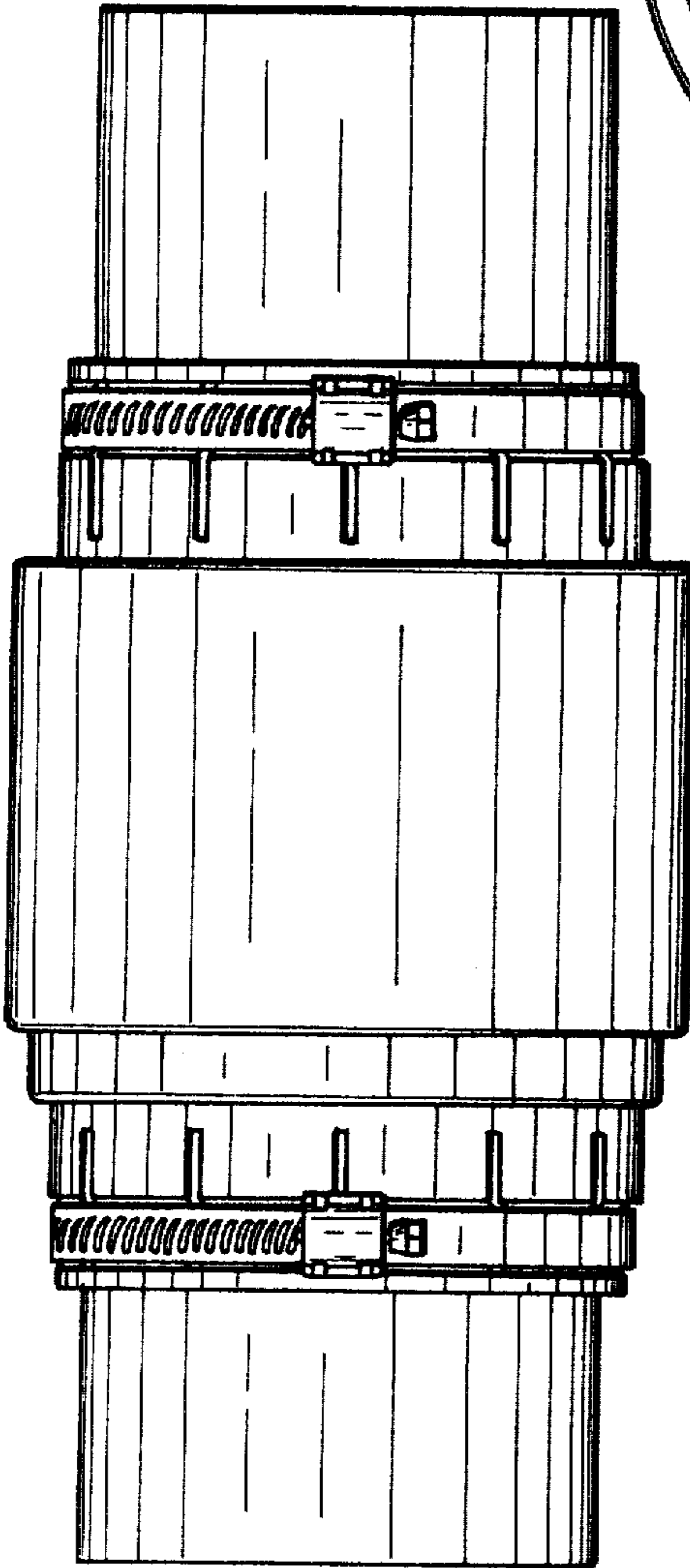


Fig. 4