

[54] FISHING REEL

[75] Inventor: Kanji Iinuma, Koganei, Japan

[73] Assignee: Daiwa Seiko, Inc., Tokyo, Japan

[**] Term: 14 Years

[21] Appl. No.: 294,099

[22] Filed: Aug. 19, 1981

[30] Foreign Application Priority Data

May 29, 1981 [JP] Japan 56-23667

[51] Int. Cl. D22-05

[52] U.S. Cl. D22/25

[58] Field of Search 242/84.1 R, 84.2 R,
242/84.2 A; D22/25

[56] References Cited

U.S. PATENT DOCUMENTS

D. 245,784 9/1977 Okada D22/25

D. 253,840 1/1980 Hiraishi D22/25
D. 257,445 10/1980 Sakamoto et al. D22/25
D. 260,804 9/1981 Sakamoto et al. D22/25
4,203,565 5/1980 Puryear D22/25 X

Primary Examiner—A. Hugo Word
Attorney, Agent, or Firm—Sughrue, Mion, Zinn,
Macpeak and Seas

[57] CLAIM

The ornamental design for a fishing reel, as shown.

DESCRIPTION

FIG. 1 is a right side elevational view of a fishing reel showing my new design;
FIG. 2 is a left side elevational view thereof;
FIG. 3 is a top plan view thereof;
FIG. 4 is a bottom plan view thereof;
FIG. 5 is a front elevational view thereof;
FIG. 6 is a rear elevational view thereof; and
FIG. 7 is a front, top and right side perspective view thereof.

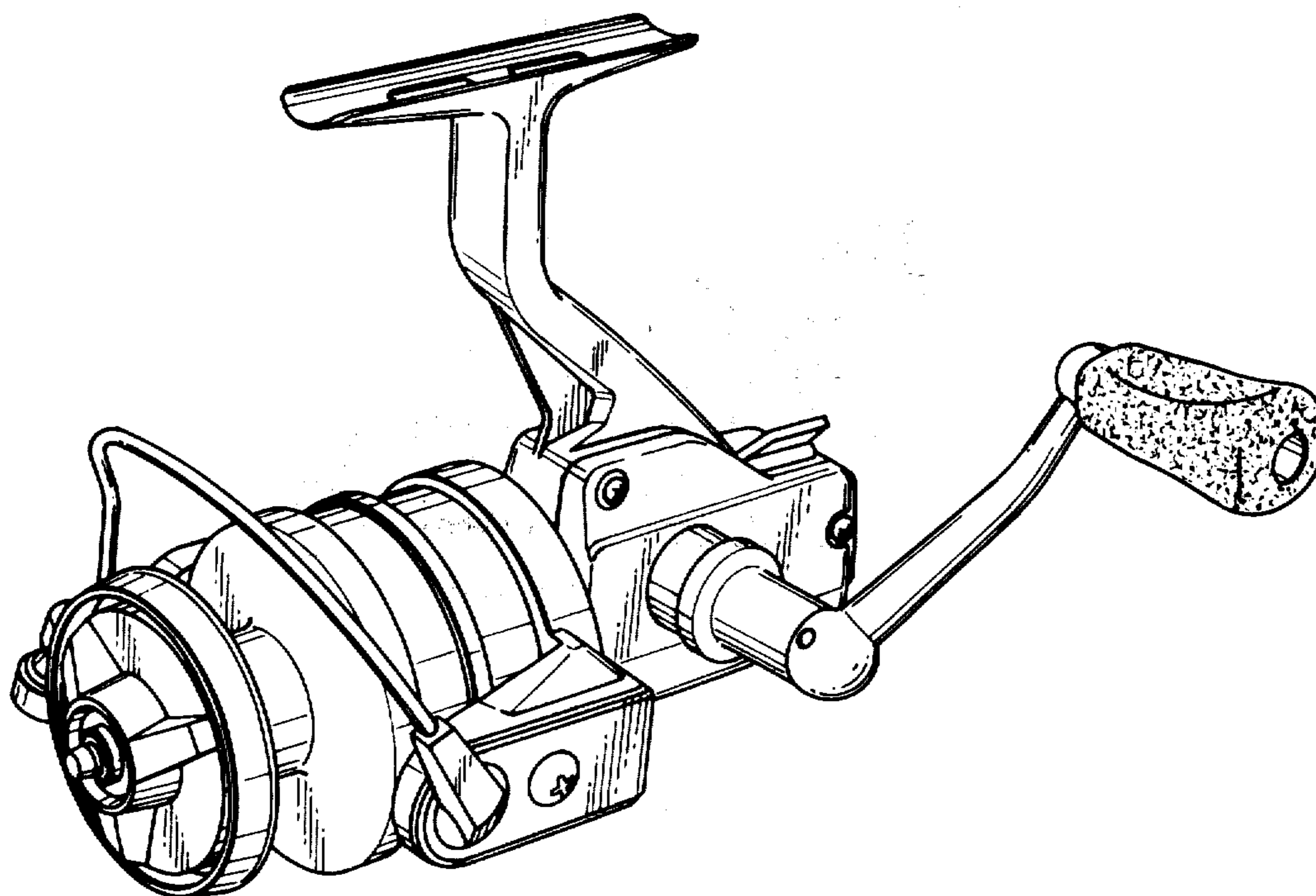


Fig. 1

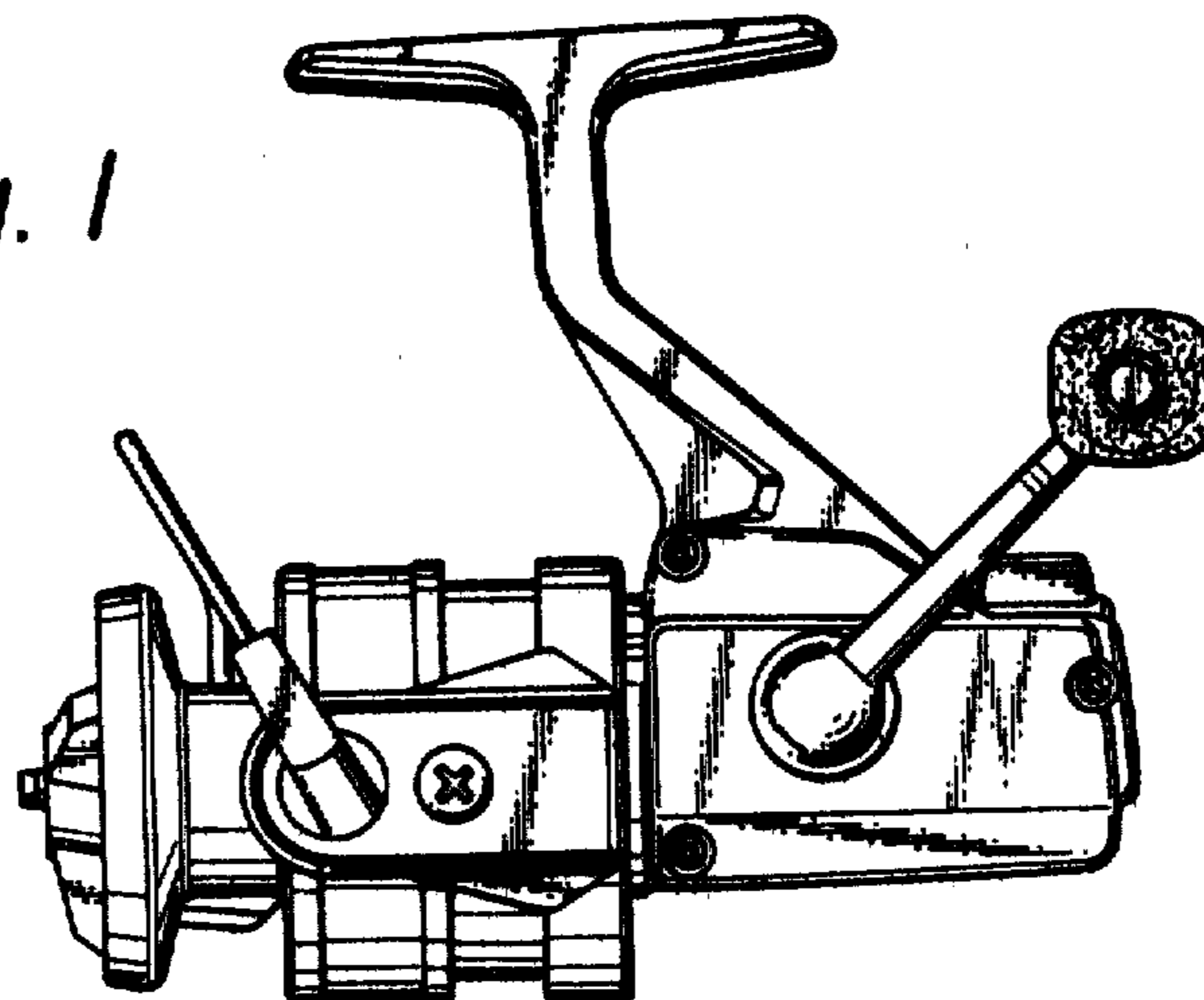


Fig. 2

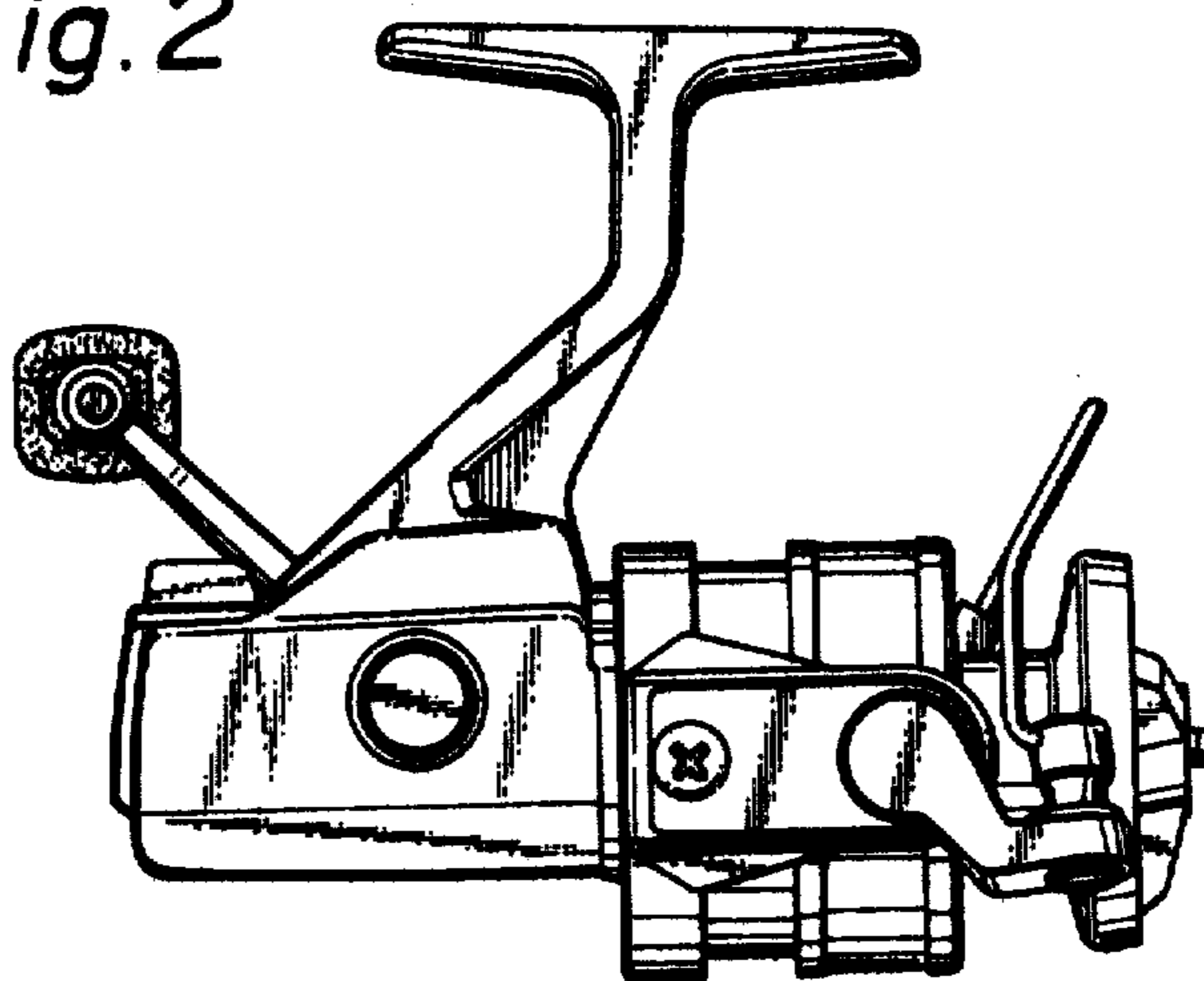


Fig. 3

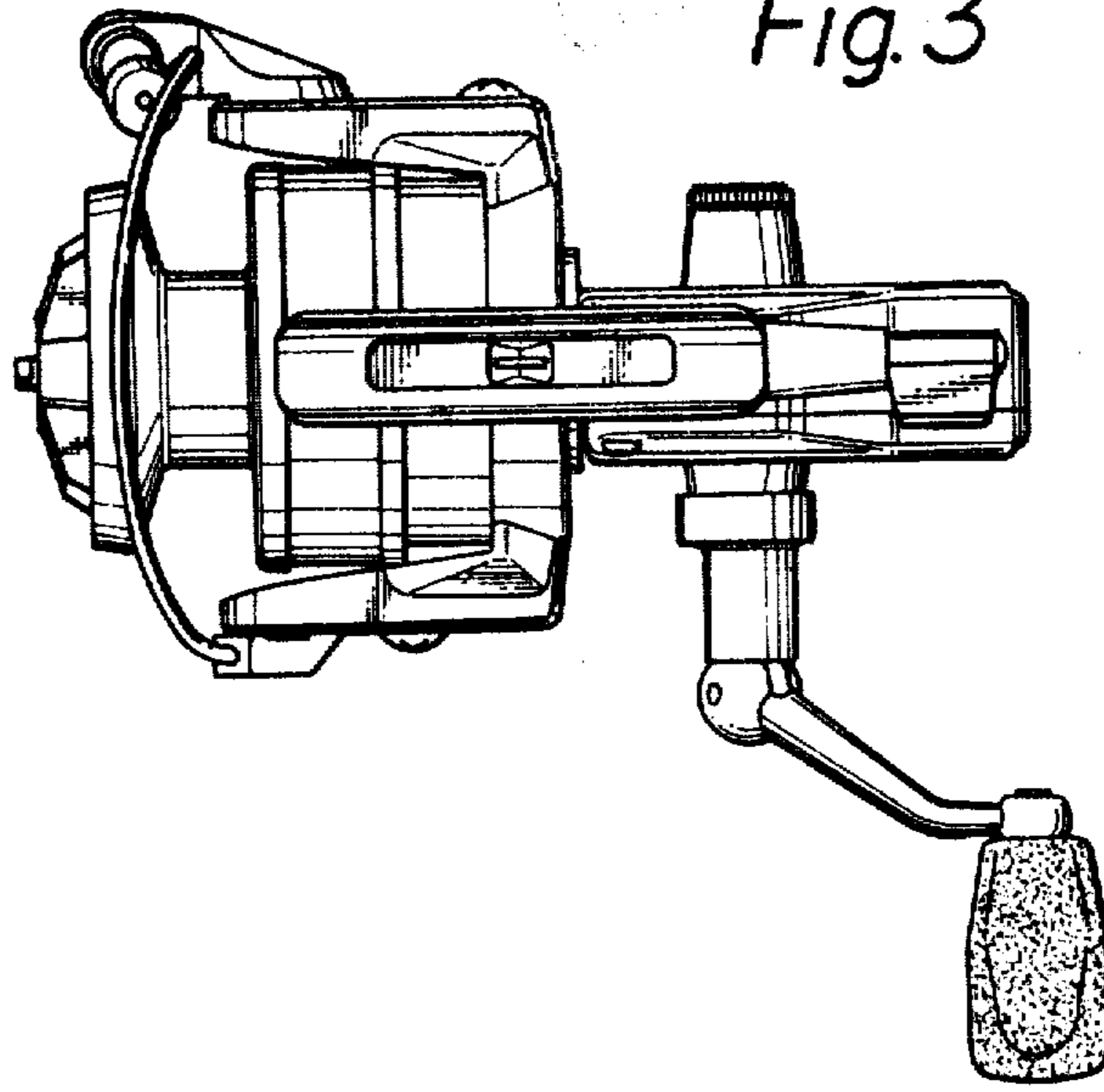


Fig. 4

