

[54] FISHING REEL

[56]

References Cited

U.S. PATENT DOCUMENTS

[75] Inventors: Kanji Iinuma; Yasuhisa Kameda, both of Koganei, Japan

D. 253,840	1/1980	Hiraishi	D22/25
D. 257,445	10/1980	Sakamoto et al.	D22/25
D. 257,688	12/1980	Tetsuyuki et al.	D22/25
D. 259,205	5/1981	Tetsuyuki et al.	D22/25
4,203,565	5/1980	Puryear	D22/25 X

[73] Assignee: Daiwa Seiko, Inc., Tokyo, Japan

Primary Examiner—A. Hugo Word
Attorney, Agent, or Firm—Sughrue, Mion, Zinn, Macpeak and Seas

[**] Term: 14 Years

[57] CLAIM

[21] Appl. No.: 288,446

The ornamental design for a fishing reel, as shown.

[22] Filed: Jul. 30, 1981

DESCRIPTION

[30] Foreign Application Priority Data

Jan. 31, 1981 [JP] Japan 56-3508

FIG. 1 is a left side elevational view of a fishing reel showing our new design;
 FIG. 2 is a right side elevational view thereof;
 FIG. 3 is a top plan view thereof;
 FIG. 4 is a bottom plan view thereof;
 FIG. 5 is a front elevational view thereof;
 FIG. 6 is a rear elevational view thereof; and
 FIG. 7 is a top, front and right side elevational view thereof.

[51] Int. Cl. D22-05

[52] U.S. Cl. D22/25

[58] Field of Search 242/84.1 R, 84.2 R, 242/84.2 A; D22/25

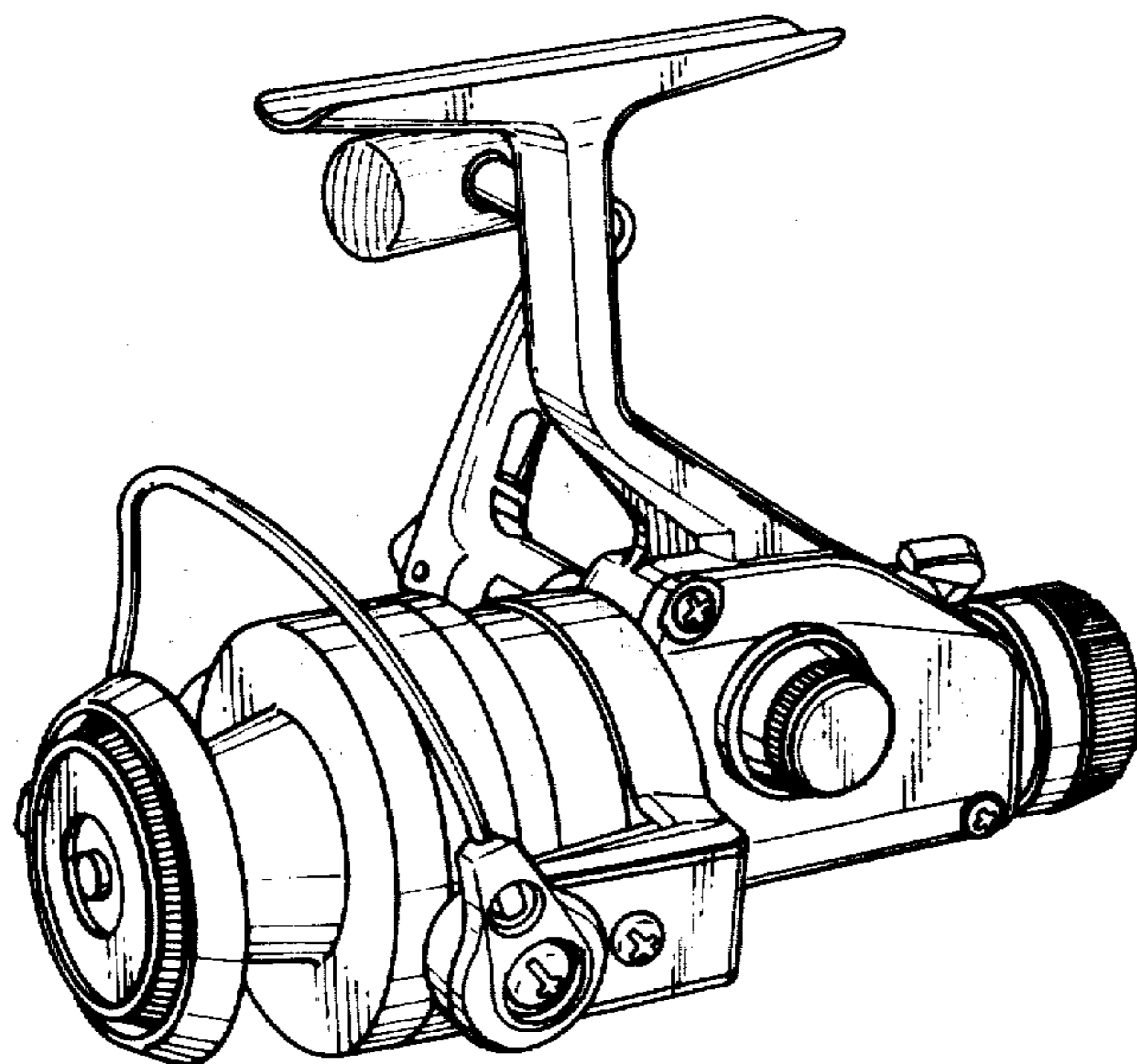


Fig. 1

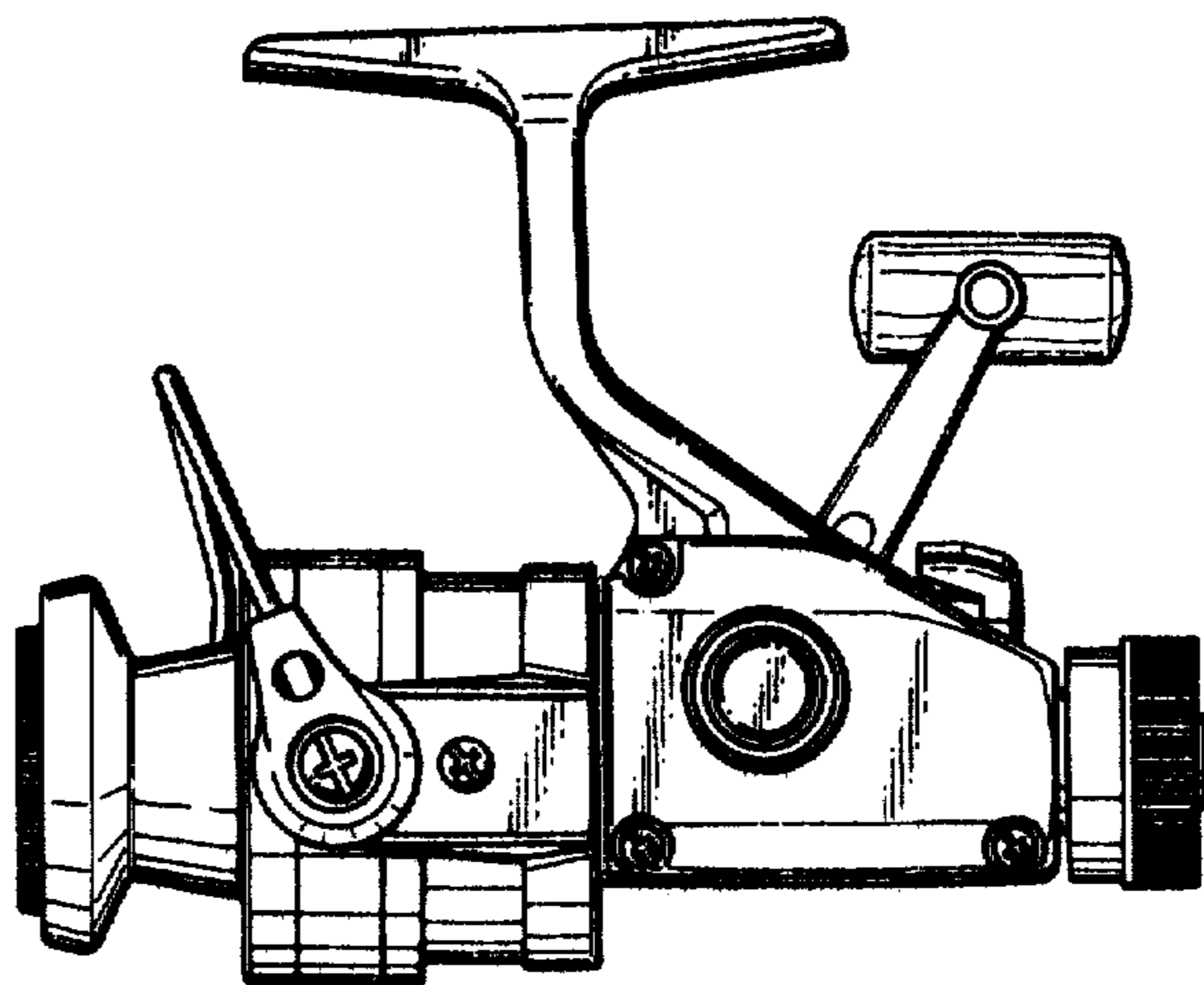


Fig. 2

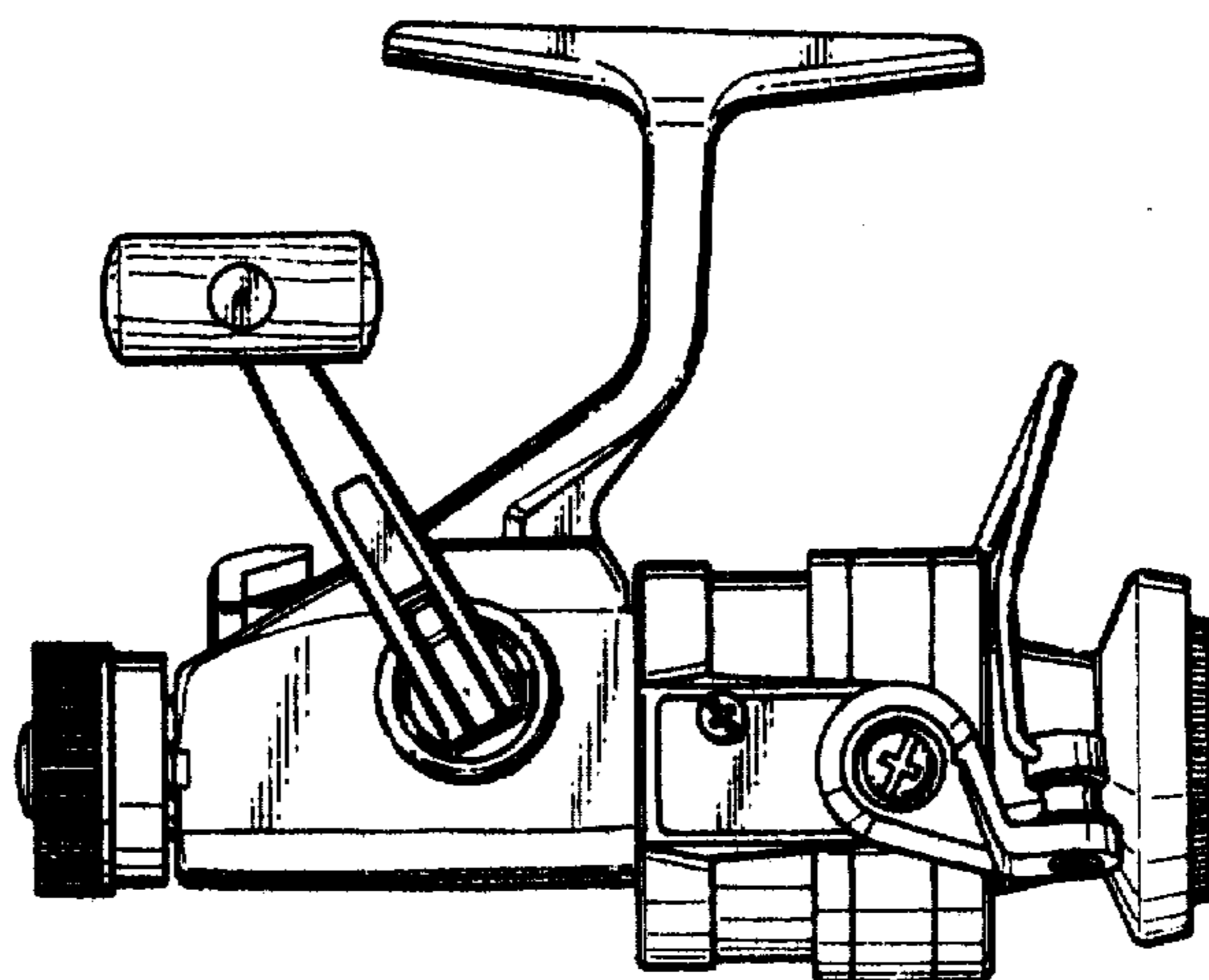


Fig. 3

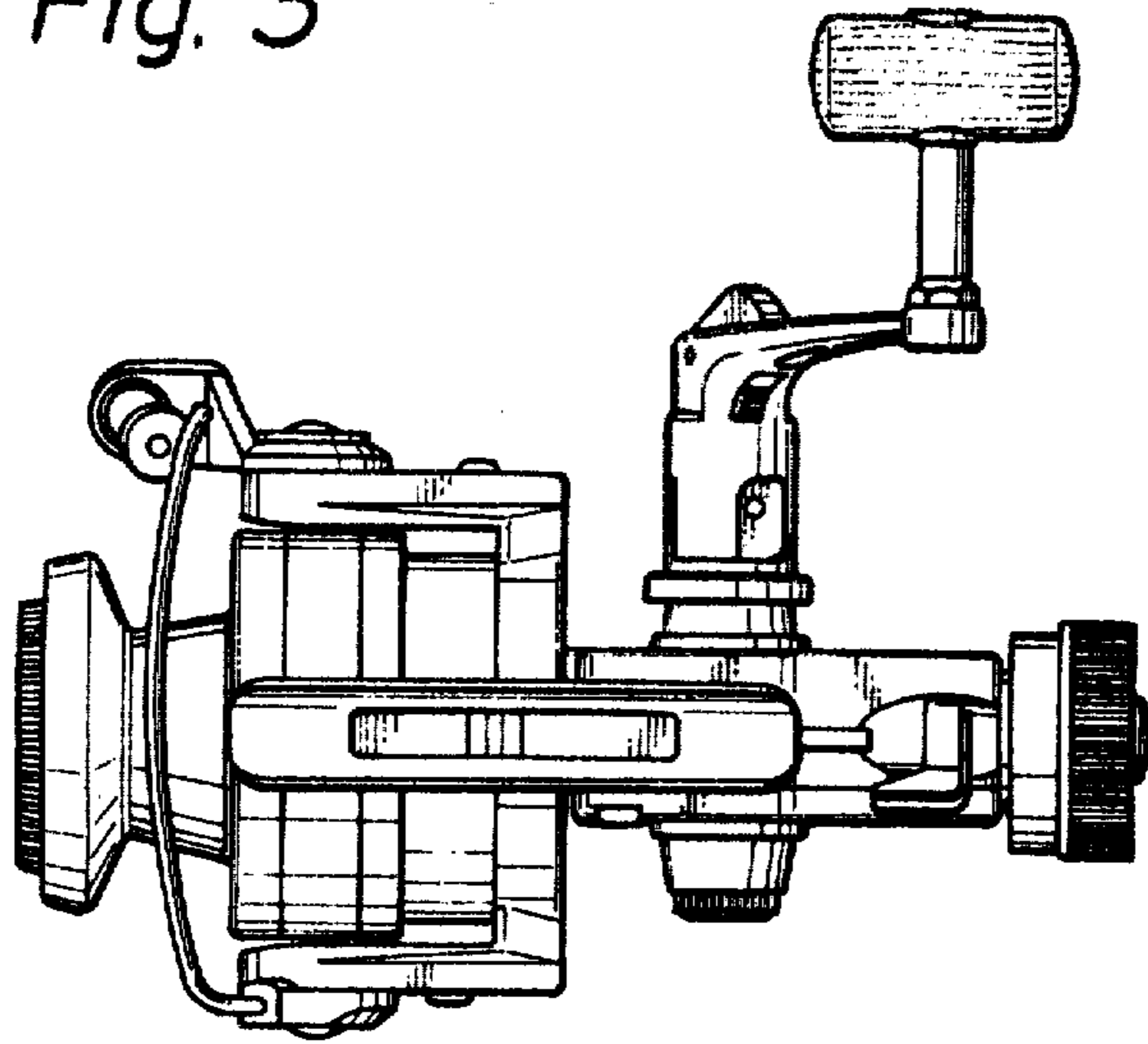


Fig. 4

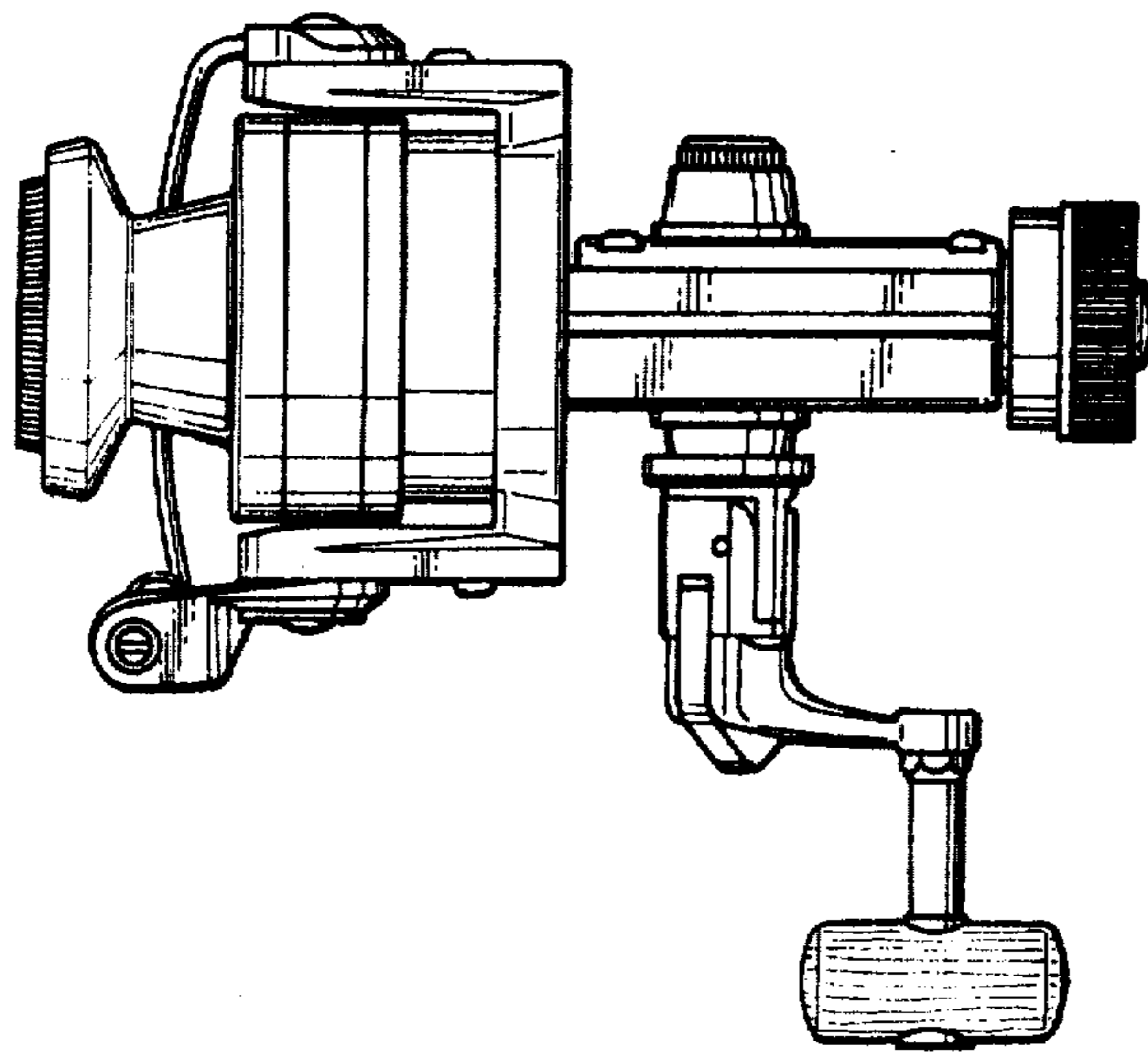


Fig. 5

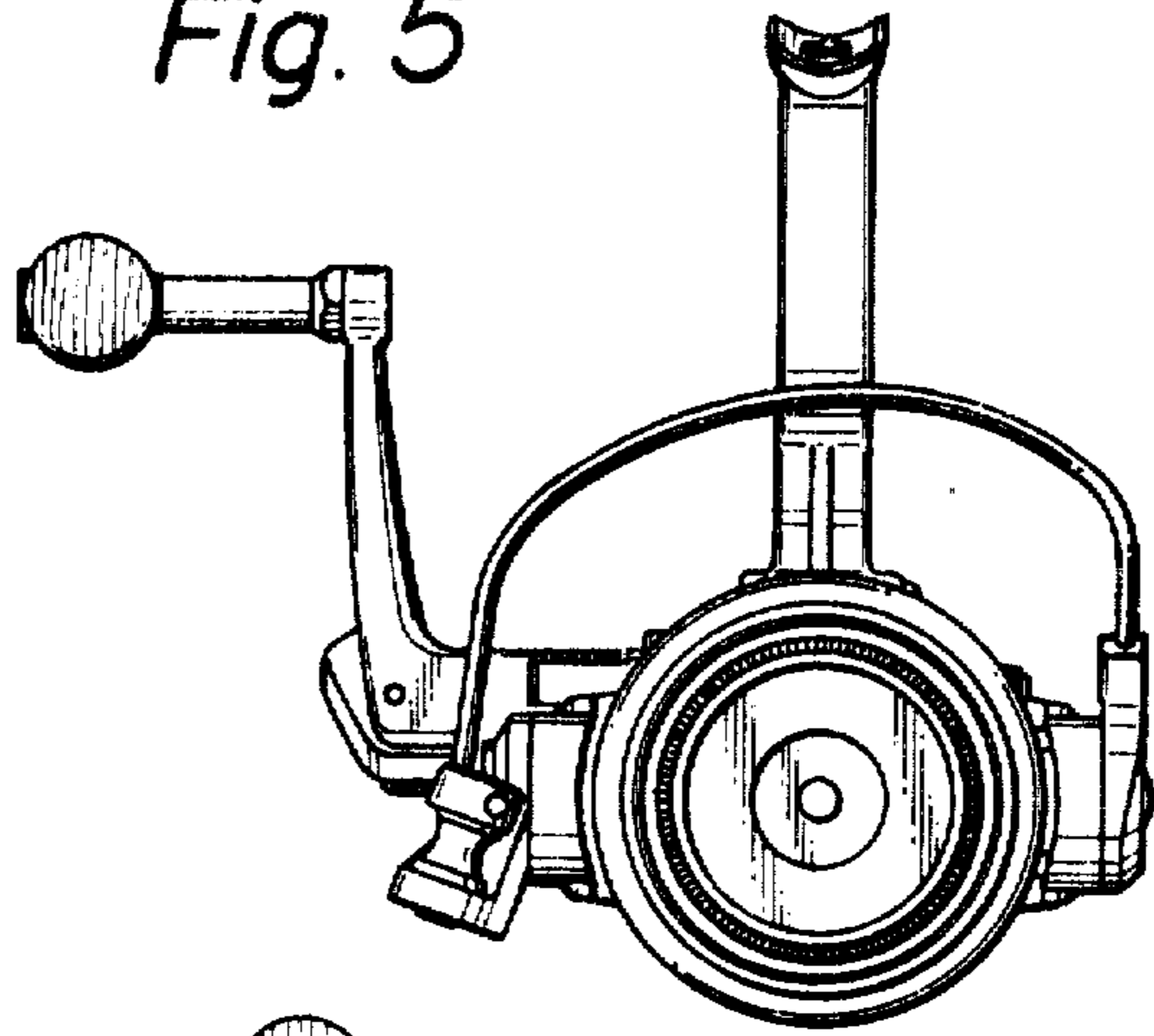


Fig. 6

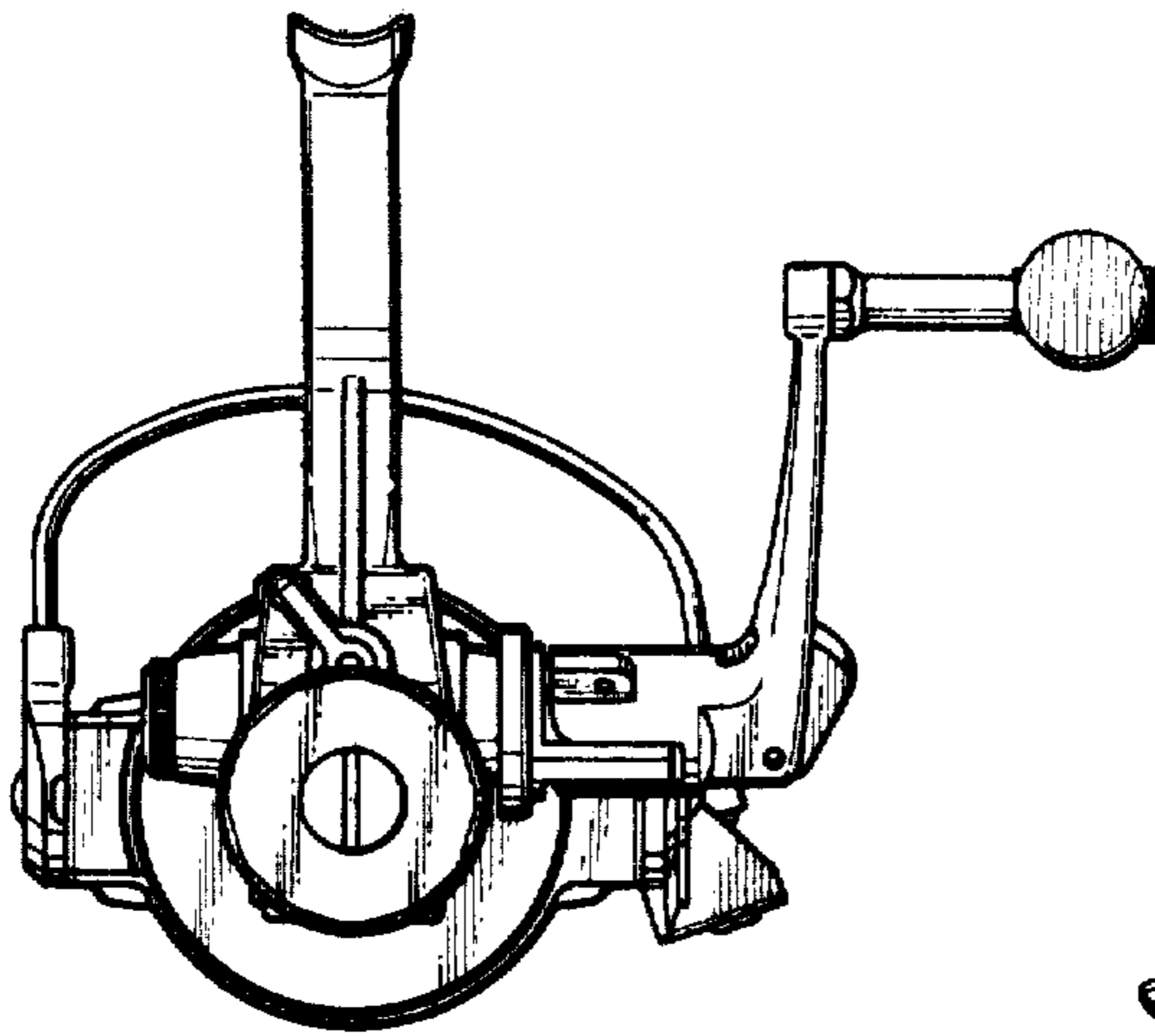


Fig. 7

