

[54] **LINE GUIDE FOR FISHING ROD OR THE LIKE**

[75] Inventor: **Shigeru Yamamoto**, Higashikurume, Japan

[73] Assignee: **Daiwa Seiko, Inc.**, Tokyo, Japan

[**] Term: **14 Years**

[21] Appl. No.: **312,396**

[22] Filed: **Oct. 19, 1981**

[30] **Foreign Application Priority Data**

May 19, 1981 [JP] Japan 56-21495

[51] Int. Cl. **D22-05**

[52] U.S. Cl. **D22/24**

[58] Field of Search 43/24; D22/24

[56] **References Cited**

U.S. PATENT DOCUMENTS

D. 261,920 11/1981 Ohmura D22/24
4,174,583 11/1979 Ohmura 43/24
4,287,678 9/1981 Yamamoto 43/24

Primary Examiner—A. Hugo Word
Attorney, Agent, or Firm—Frishauf, Holtz, Goodman & Woodward

[57] **CLAIM**

The ornamental design for a line guide for fishing rod or the like, substantially as shown and described.

DESCRIPTION

FIG. 1 is a front elevational view of a line guide for fishing rod showing my new design;
FIG. 2 is a right side elevational view thereof;
FIG. 3 is a left side elevational view thereof;
FIG. 4 is a top plan view thereof; and
FIG. 5 is a bottom plan view thereof.

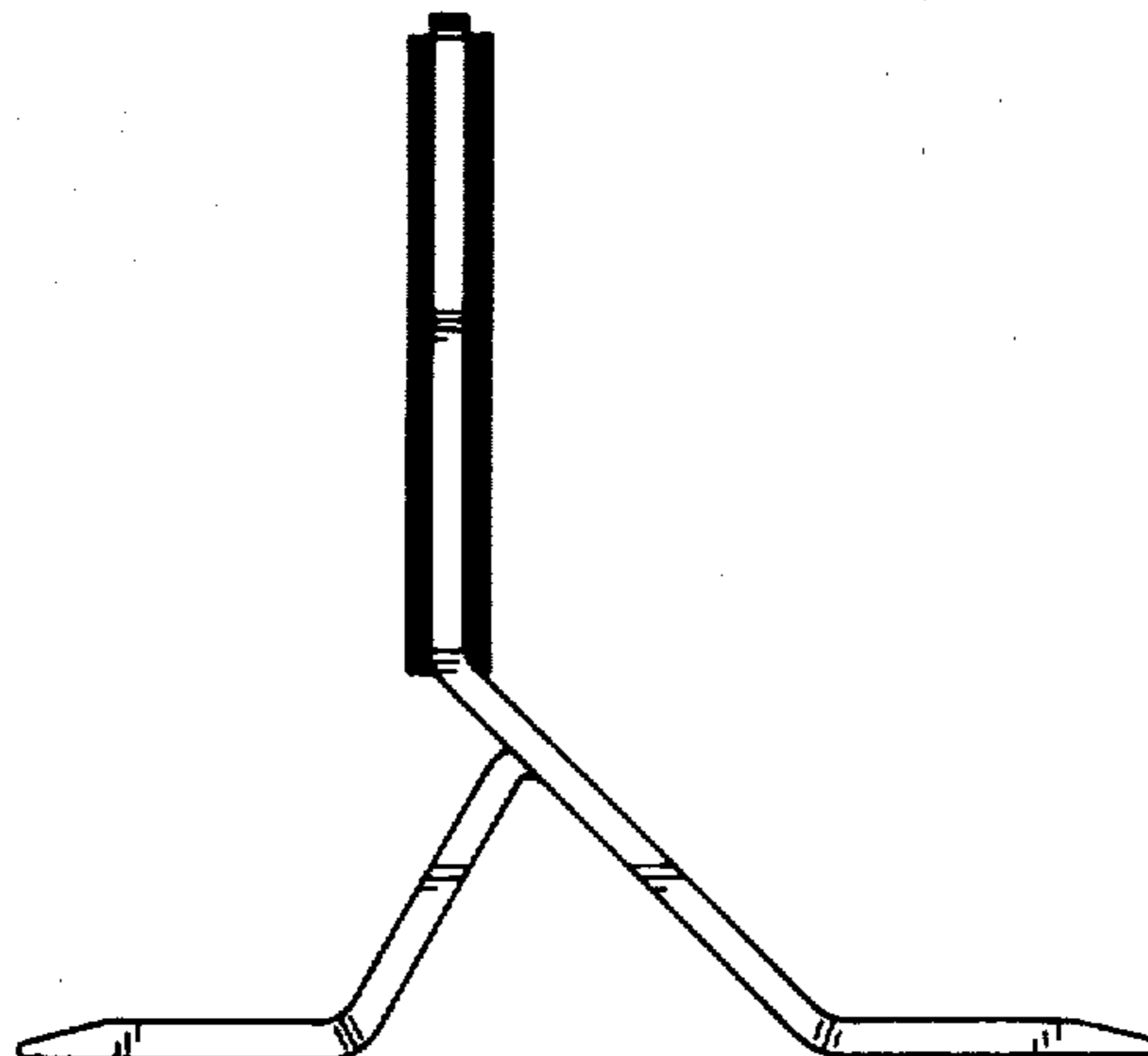


FIG. 1

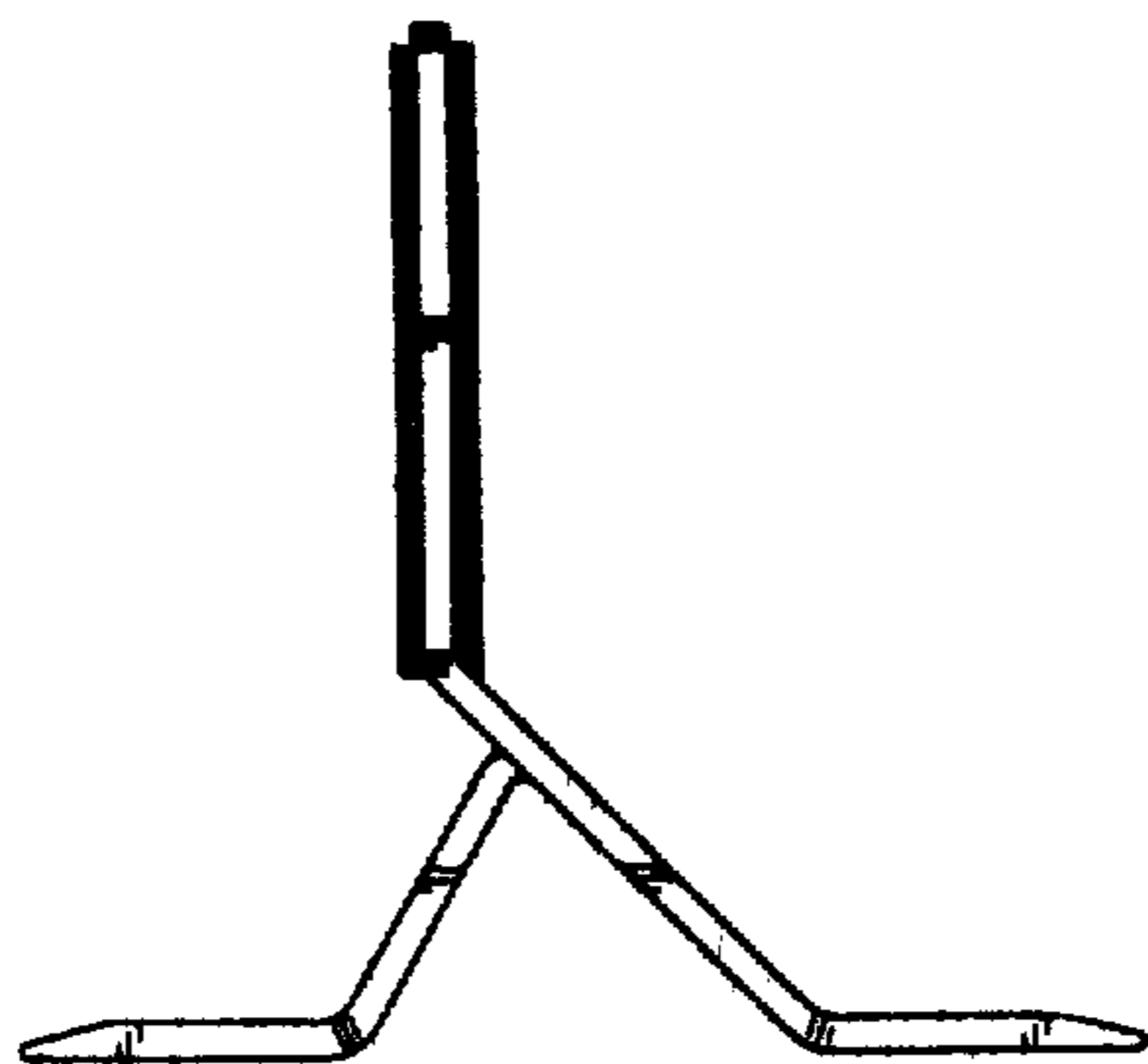


FIG. 2

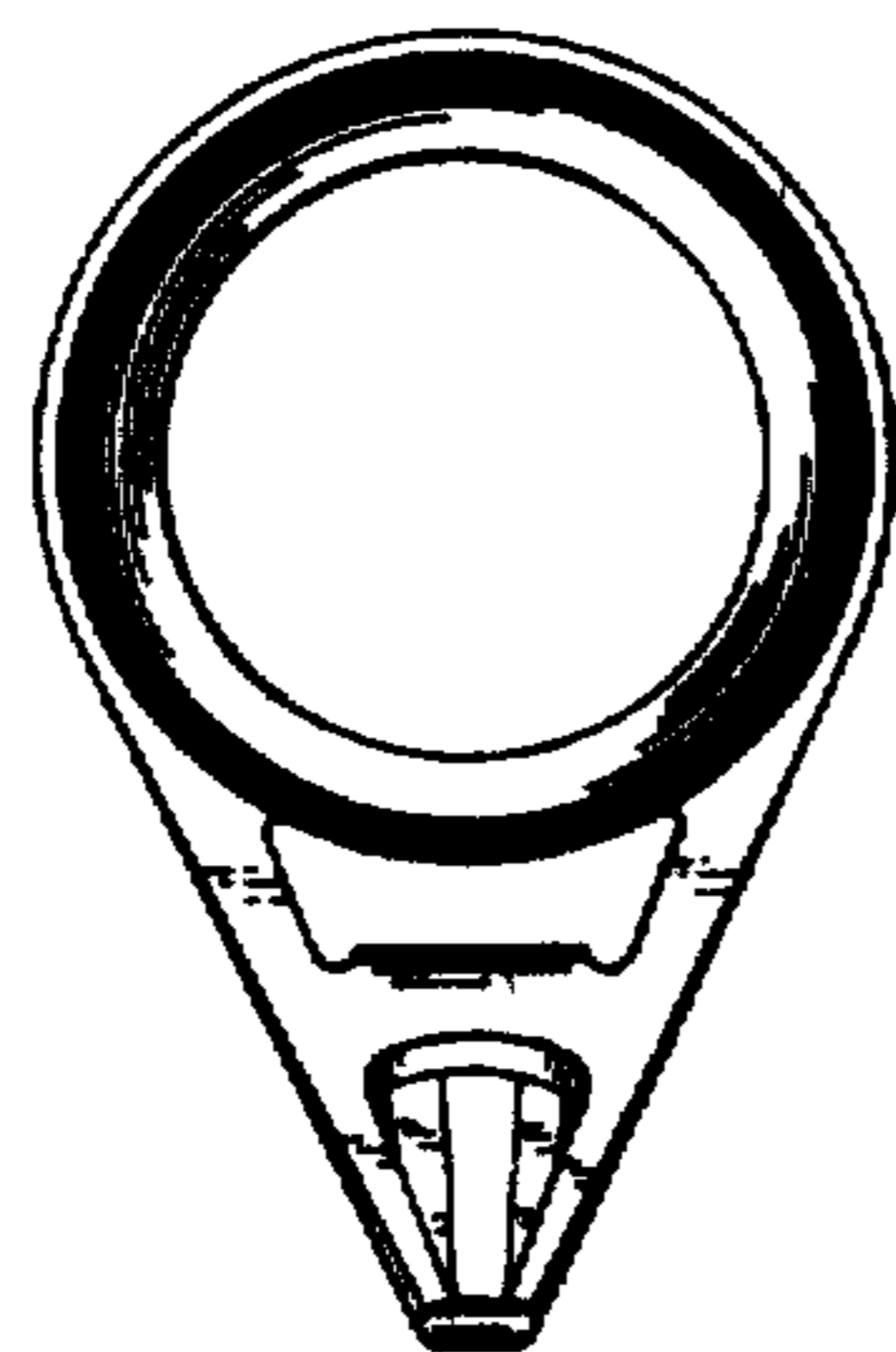


FIG. 3

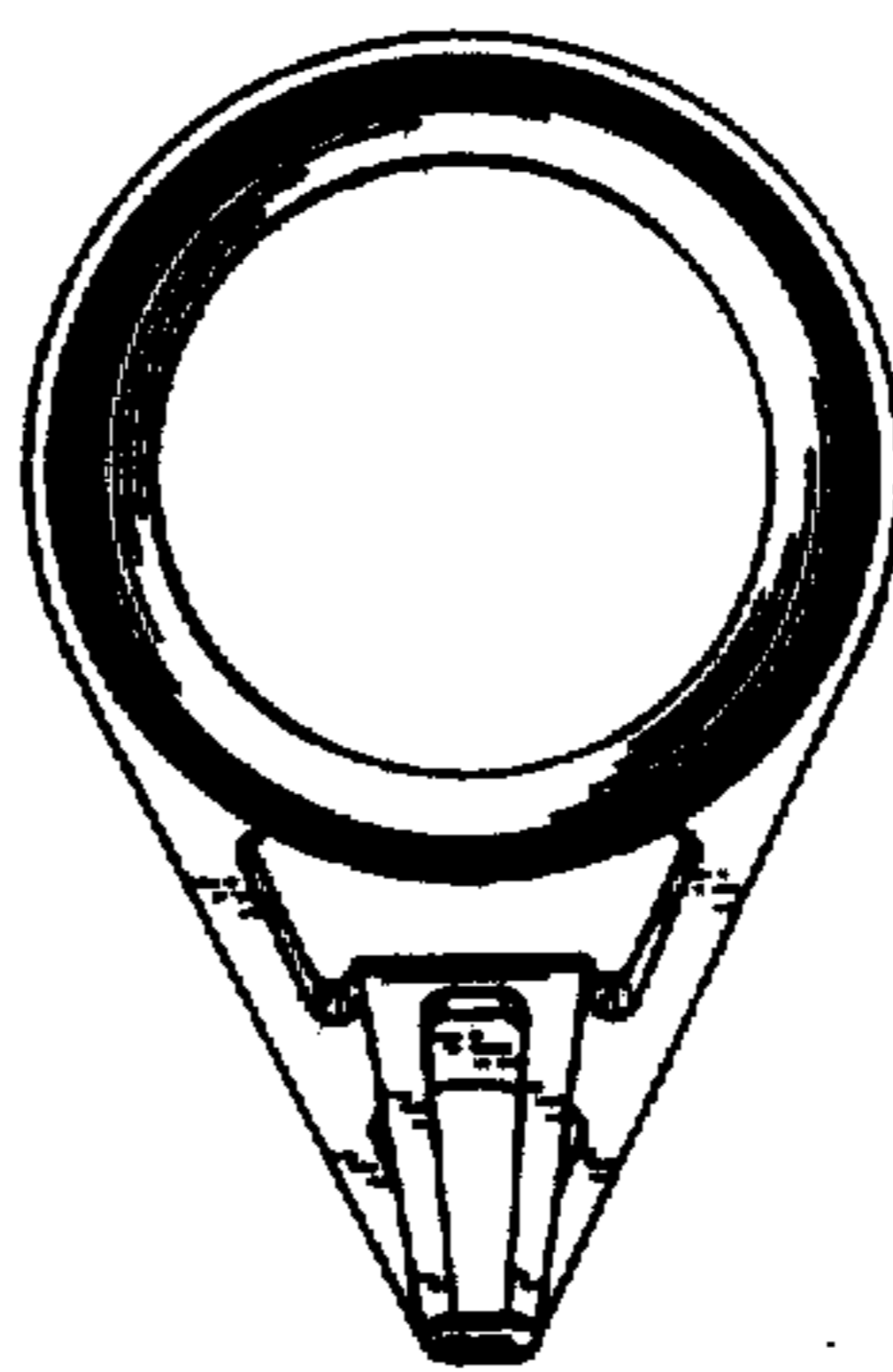


FIG. 4

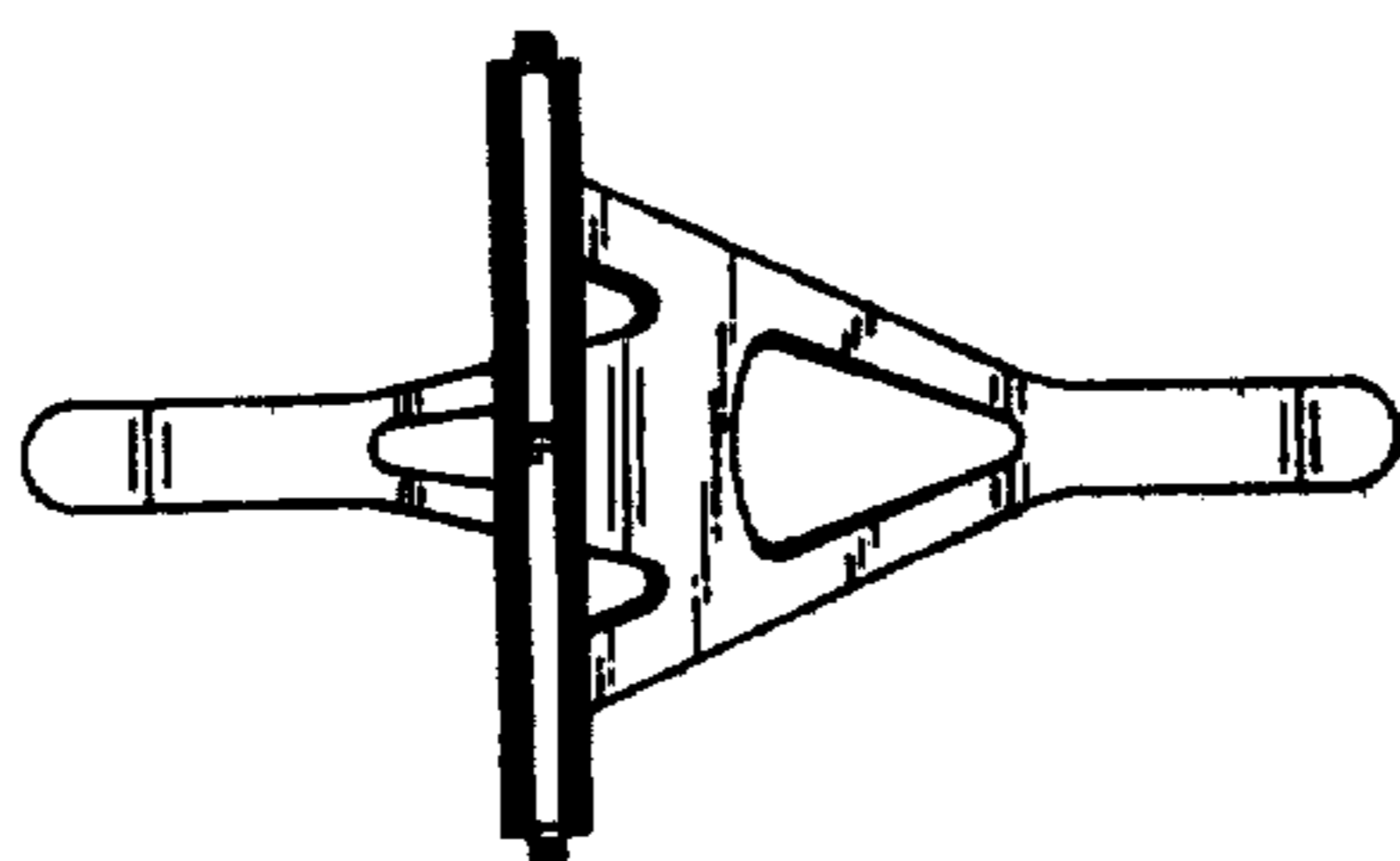


FIG. 5

