

[54] **SWIM FIN**

[76] **Inventor:** **John F. Simpson**, 1622 Ponderosa Ave., Costa Mesa, Calif. 92626

[**] **Term:** **14 Years**

[21] **Appl. No.:** **297,515**

[22] **Filed:** **Aug. 28, 1981**

[51] **Int. Cl.** **D21-02**

[52] **U.S. Cl.** **D21/239**

[58] **Field of Search** **D21/239; 441/61-64**

[56] **References Cited**
PUBLICATIONS

Skin Diver-Mar. 1980-p. 48-AMF Swimmaster Duck Feet UDT.

Skin Diver-Mar. 1980-p. 52-Dacor Corda.

Primary Examiner—Catherine E. Kemper
Attorney, Agent, or Firm—Francis X. LoJacono

[57] **CLAIM**

The ornamental design for a swim fin, as shown and described.

DESCRIPTION

FIG. 1 is a top perspective view of a swim fin, showing my new design;

FIG. 2 is a front-elevational view thereof;

FIG. 3 is a rear-elevational view thereof;

FIG. 4 is a bottom-plan view thereof; and

FIG. 5 is a side-elevational view of the side not seen in FIG. 1.

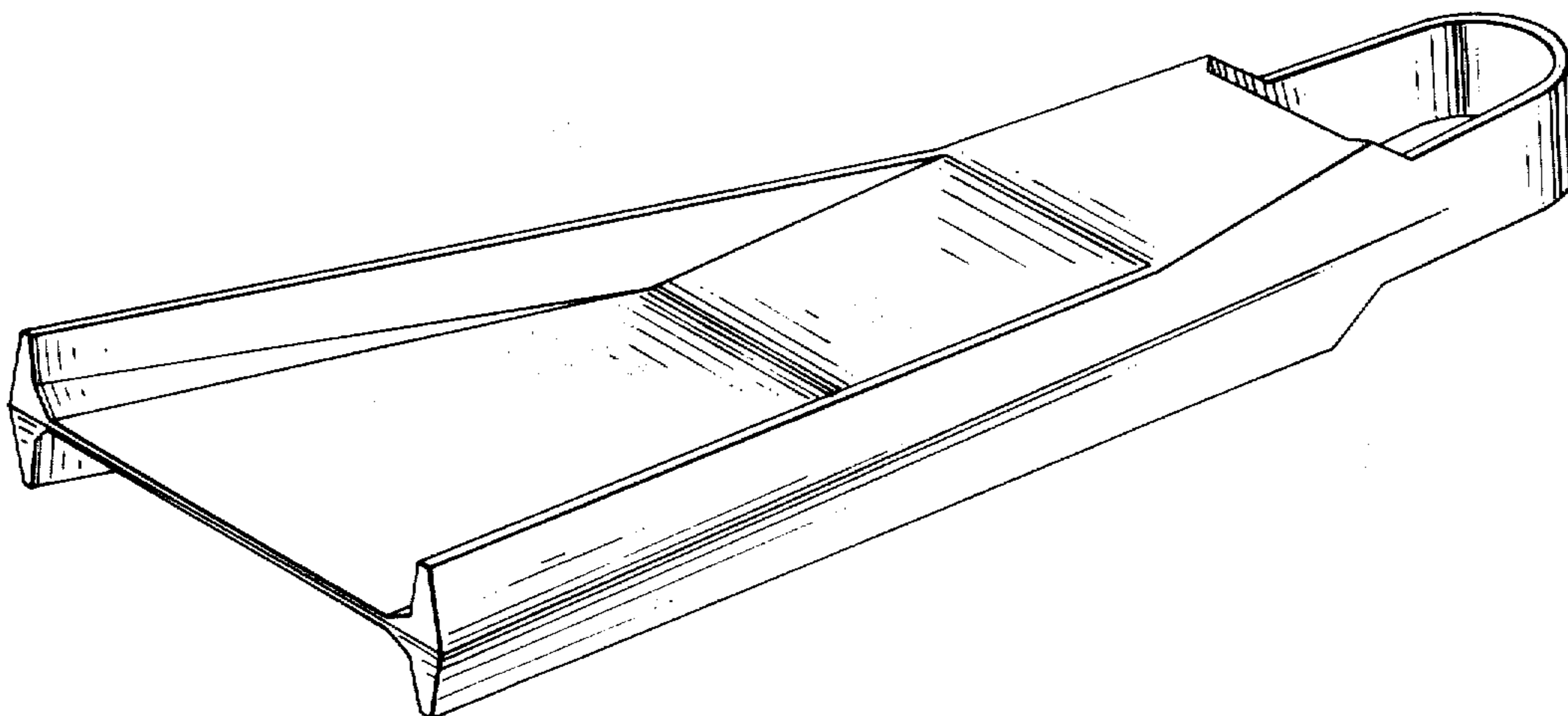


FIG. 2

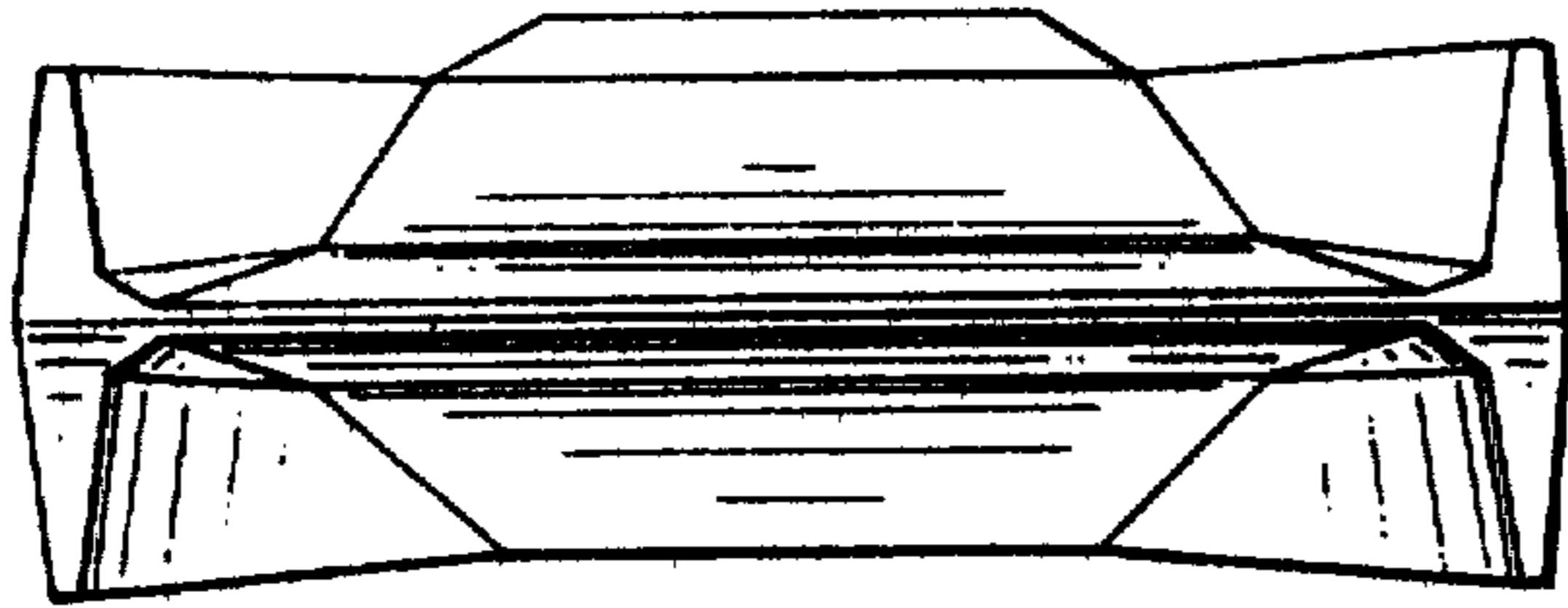


FIG. 3

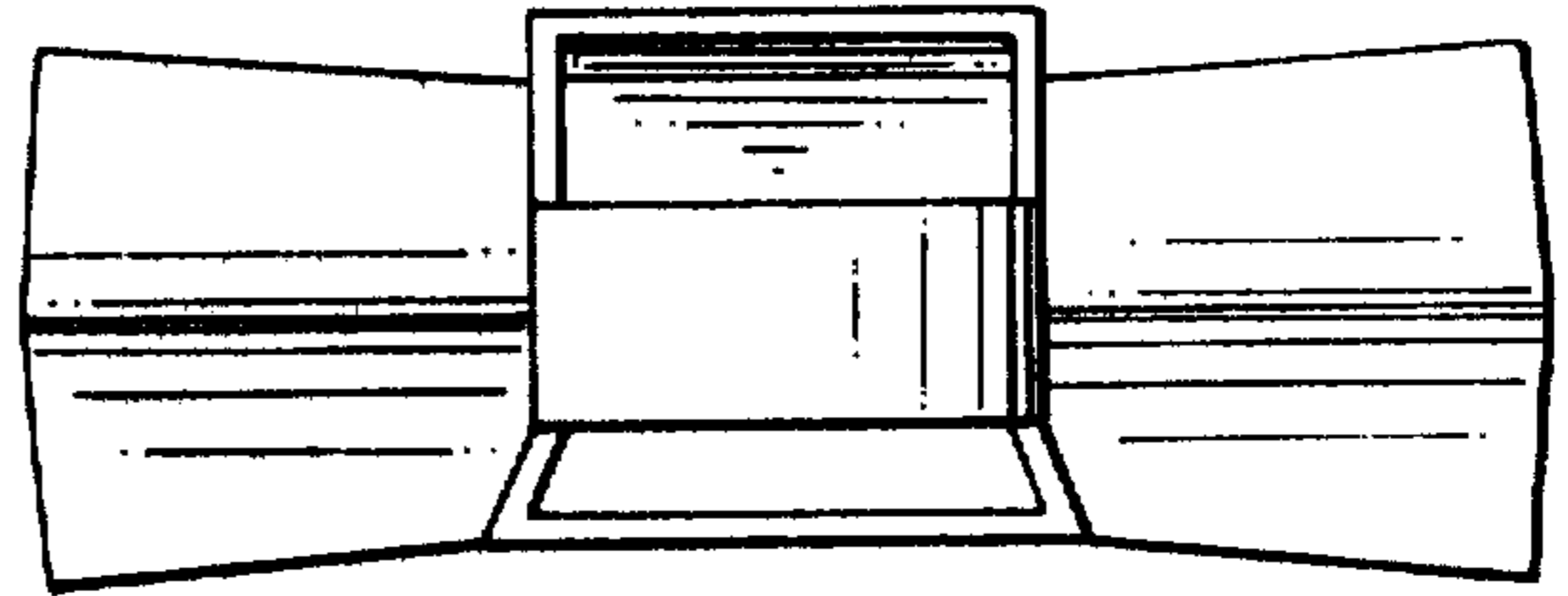


FIG. 4

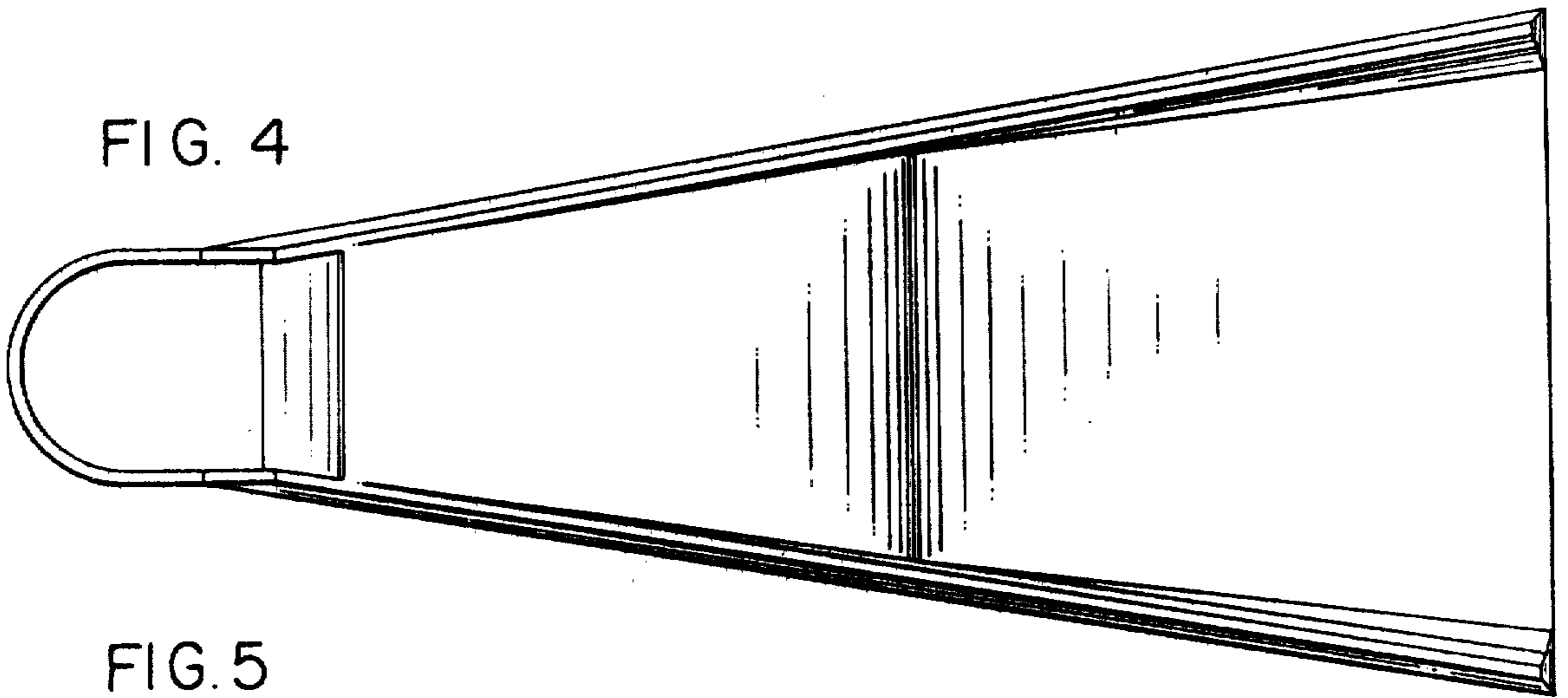


FIG. 5

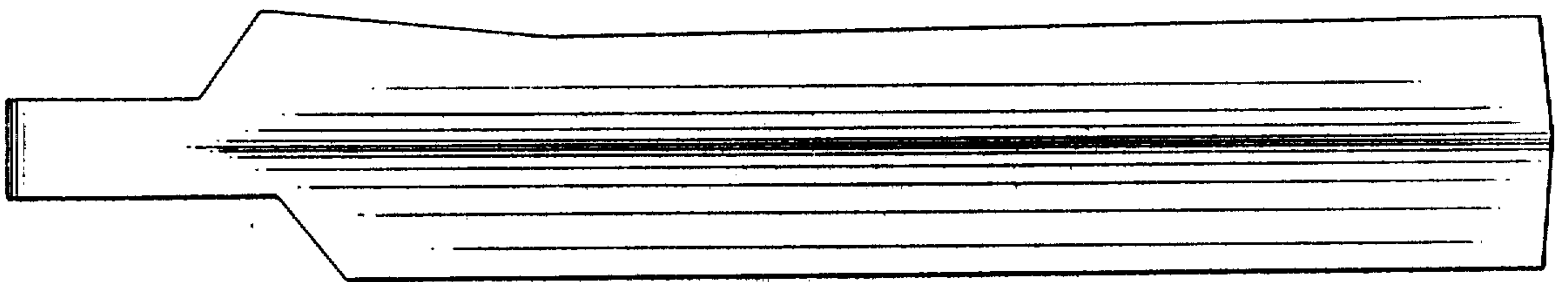


FIG. 1

