

[54] COMPACT PEDAL BOARD FOR ELECTRONICALLY-OPERATED MUSICAL INSTRUMENTS

[75] Inventors: Richard H. Peterson, 11748 Walnut Ridge Dr., Palos Park, Ill. 60464; Patrick J. Bovenizer, Alsip, Ill.; Richard W. Jensen, Elmhurst, Ill.; William H. Hass, Hickory Hills, Ill.

[73] Assignee: Richard H. Peterson, Palos Park, Ill.

[\*\*] Term: 14 Years

[21] Appl. No.: 271,761

[22] Filed: Jun. 9, 1981

[51] Int. Cl. .... D17-01

[52] U.S. Cl. .... D17/9; D17/99

[58] Field of Search ..... D17/5, 6, 9, 1, 99; 84/426, 444, DIG. 25

[56] References Cited

U.S. PATENT DOCUMENTS

2,625,070 1/1953 French ..... 84/426  
3,091,152 5/1963 Bridges ..... 84/426 X

Primary Examiner—Jane E. Corrigan  
Attorney, Agent, or Firm—Jones, Tullar & Cooper

[57] CLAIM

The ornamental design for a compact pedal board for electronically-operated musical instruments, as shown and described.

DESCRIPTION

FIG. 1 is a front, top and left side perspective view of a compact pedal board for electronically operated musical instruments showing our new design; FIG. 2 is a top plan view; FIG. 3 is a front elevational view; FIG. 4 is a rear elevational view; and FIG. 5 is a left side elevational view, the opposite side being a mirror image thereof. The bottom of the pedal board is flat and unadorned.

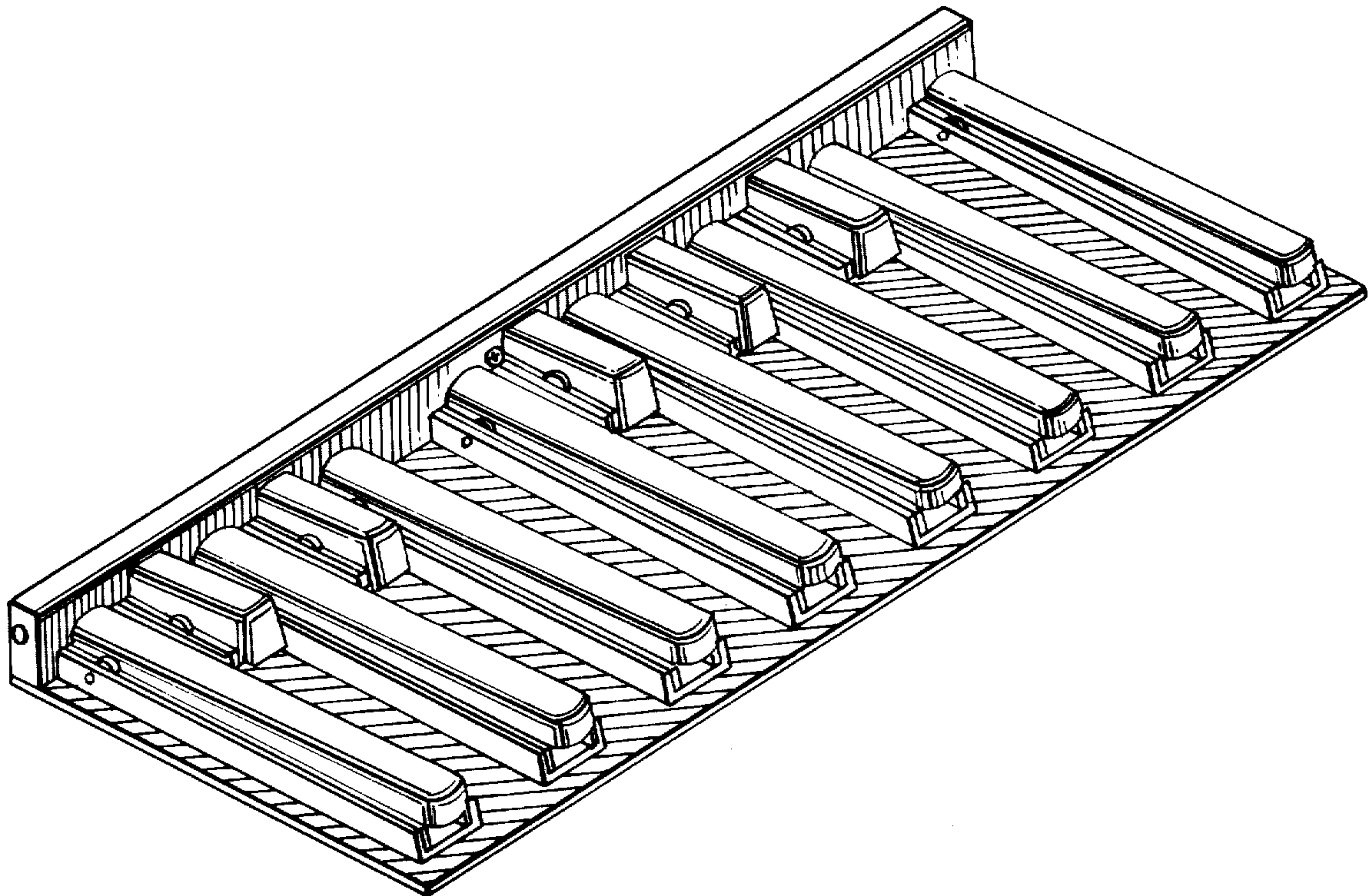


FIG. 1.

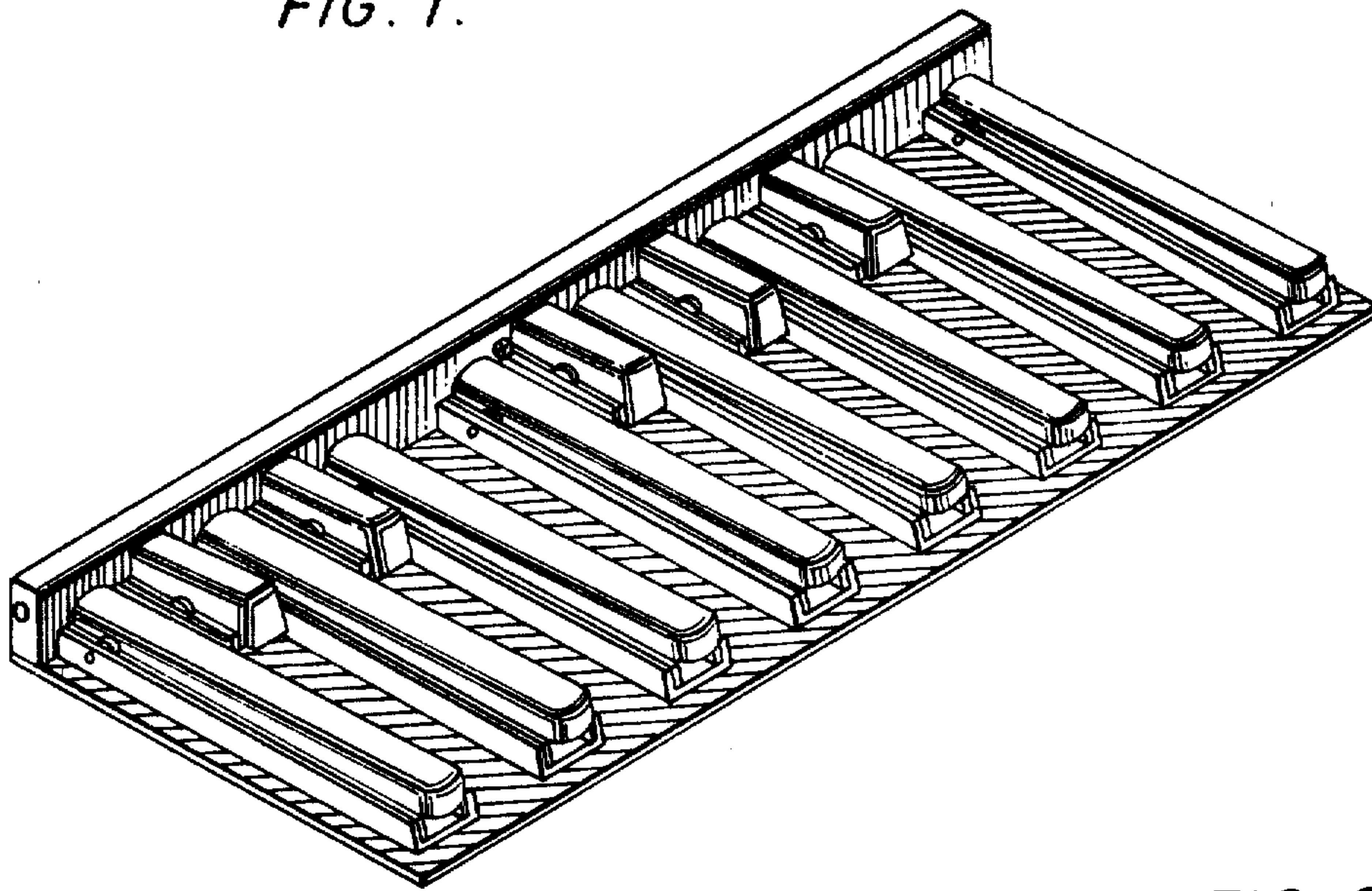


FIG. 2.

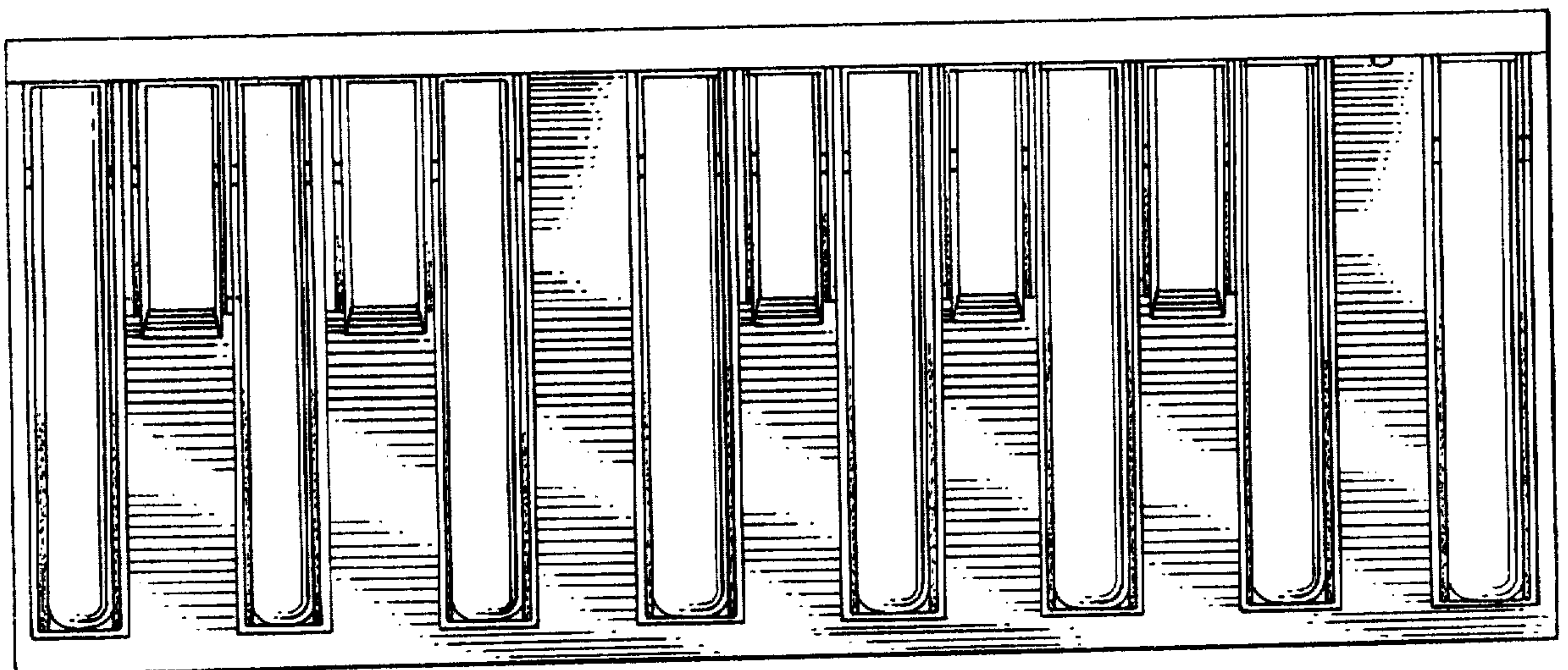


FIG. 3.

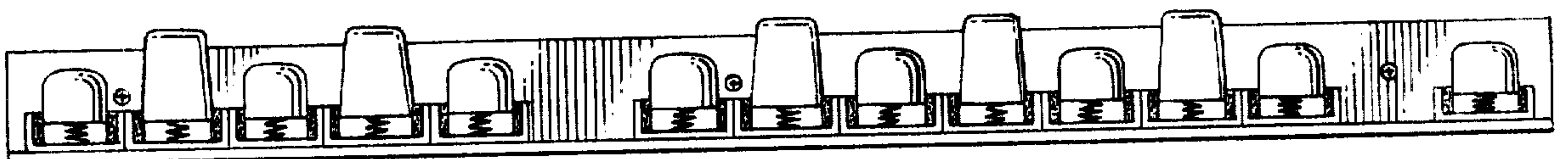


FIG. 4.

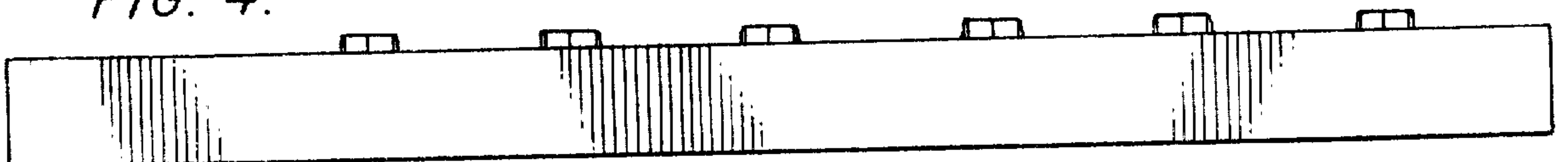


FIG. 5.

