

[54] DUAL SOCKET FLASH ADAPTER FOR CAMERA

3,598,984 8/1971 Slomski 354/143 X
3,753,390 8/1973 Hough 362/13 X
4,342,507 8/1982 Johnson 354/143

[75] Inventor: Timothy Fohl, Carlisle, Mass.

Primary Examiner—Nelson C. Holtje
Attorney, Agent, or Firm—Lawrence R. Fraley

[73] Assignee: GTE Products Corporation, Stamford, Conn.

[**] Term: 14 Years

[57] CLAIM

[21] Appl. No.: 275,546

The ornamental design for a dual socket flash adapter for camera, as shown and described.

[22] Filed: Jun. 19, 1981

DESCRIPTION

[51] Int. Cl. D16-05

[52] U.S. Cl. D16/42

[58] Field of Search D16/42, 6, 38; 354/143, 354/144; 362/11-13

FIG. 1 is a top and left front perspective view of a dual socket flash adapter for camera showing my new design;

FIG. 2 is a top plan view thereof;

FIG. 3 is a right side elevational view thereof;

FIG. 4 is a left side elevational view thereof;

FIG. 5 is a bottom plan view thereof;

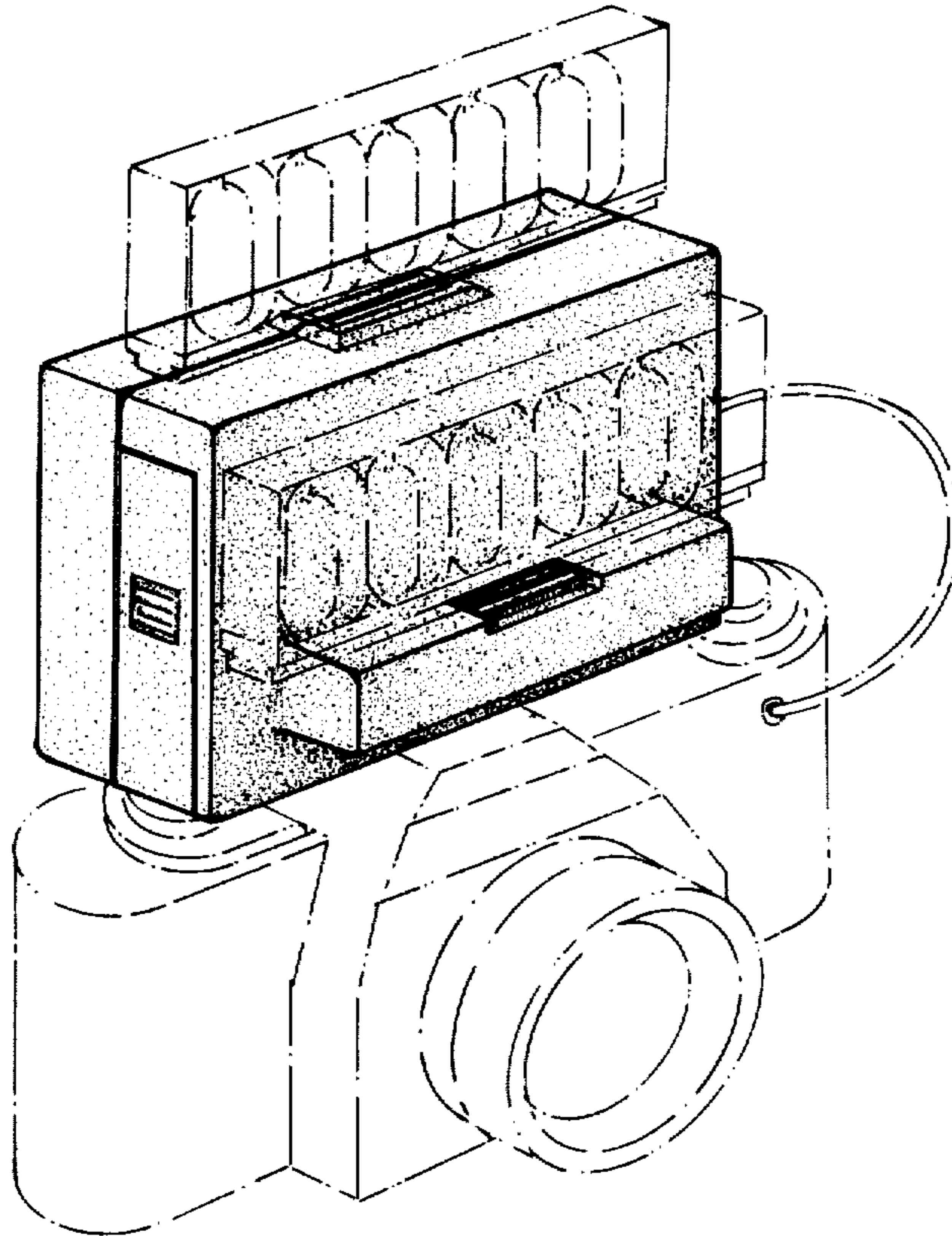
FIG. 6 is a rear elevational view thereof.

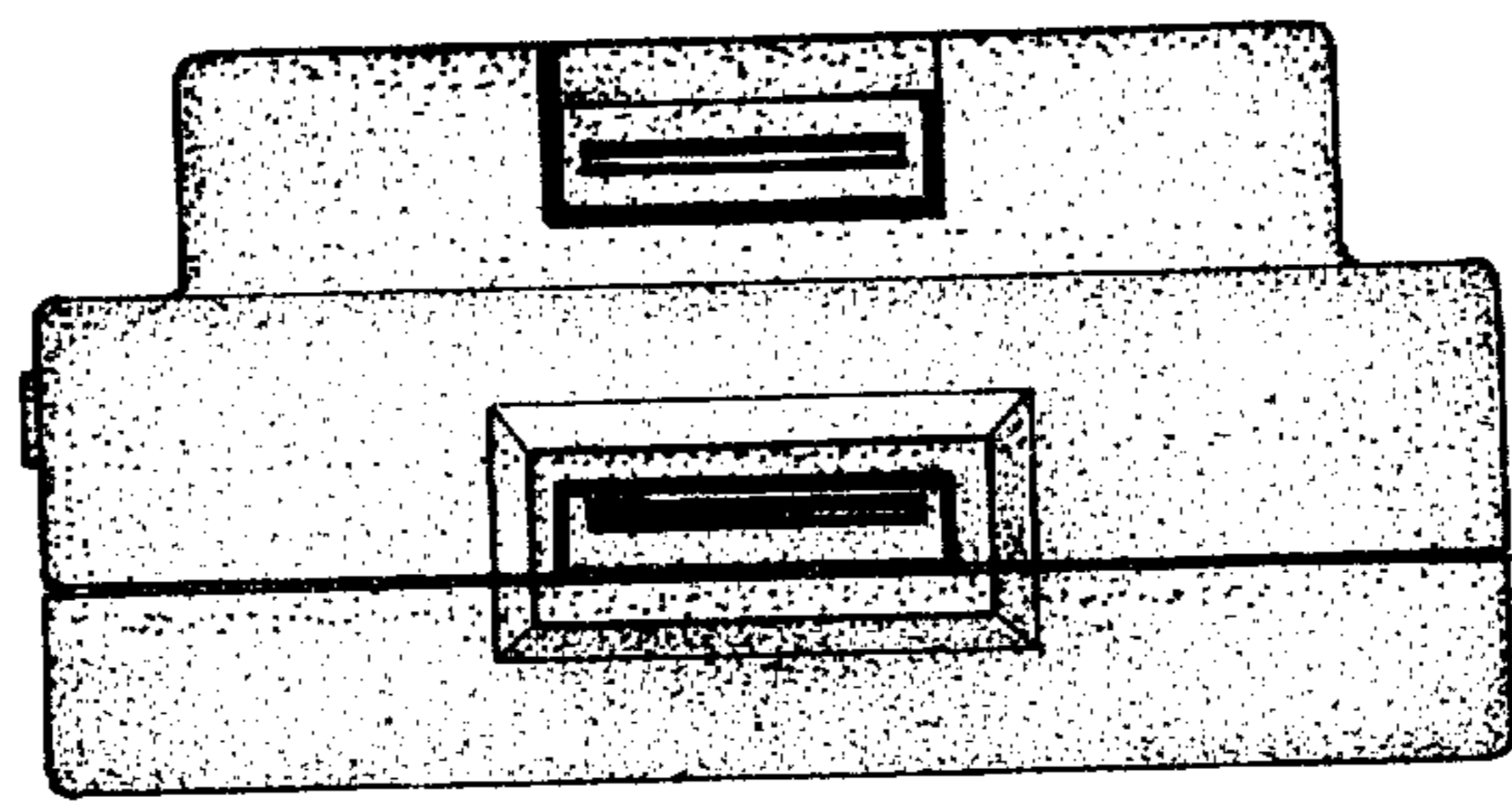
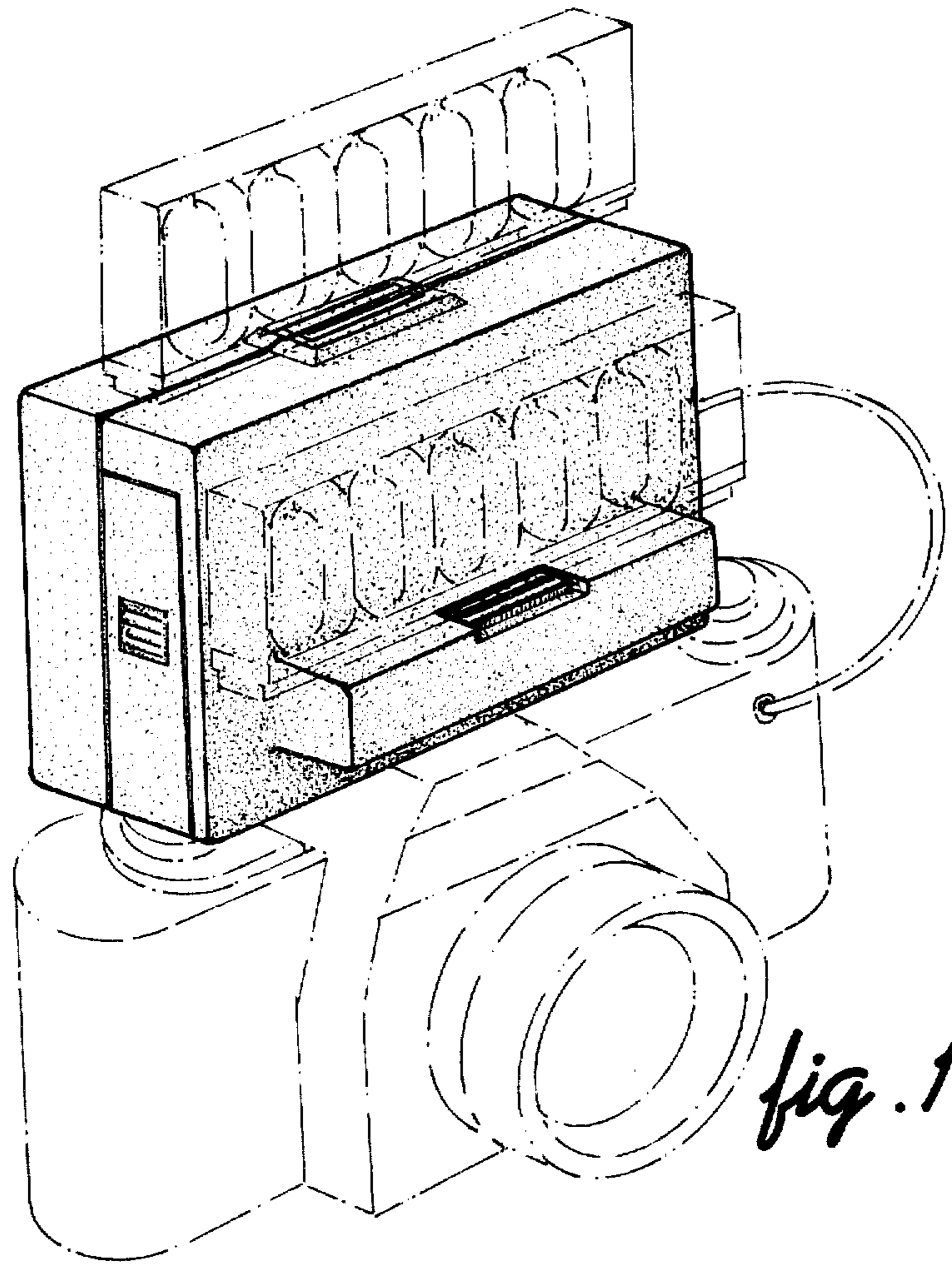
The broken-line showings of a camera, connecting cord, and dual flash bars are environmental only, and form no part of the claimed design.

[56] References Cited

U.S. PATENT DOCUMENTS

- D. 197,816 3/1964 Hockenberry D16/42
- D. 250,267 11/1978 Prochnow D16/42
- D. 260,270 8/1981 Schindler D16/42
- 3,545,904 12/1970 Brandt 354/143 X





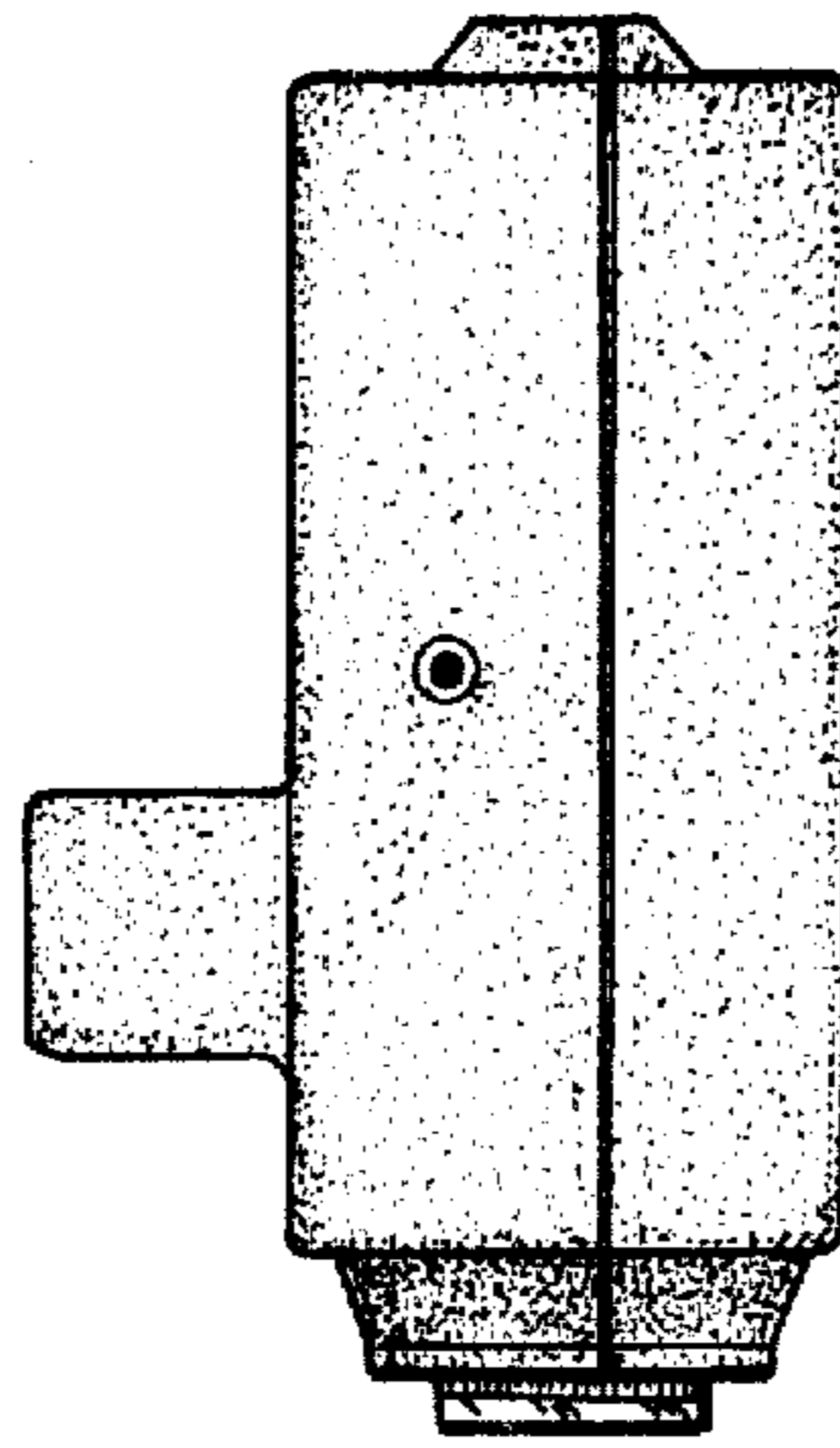


fig. 3

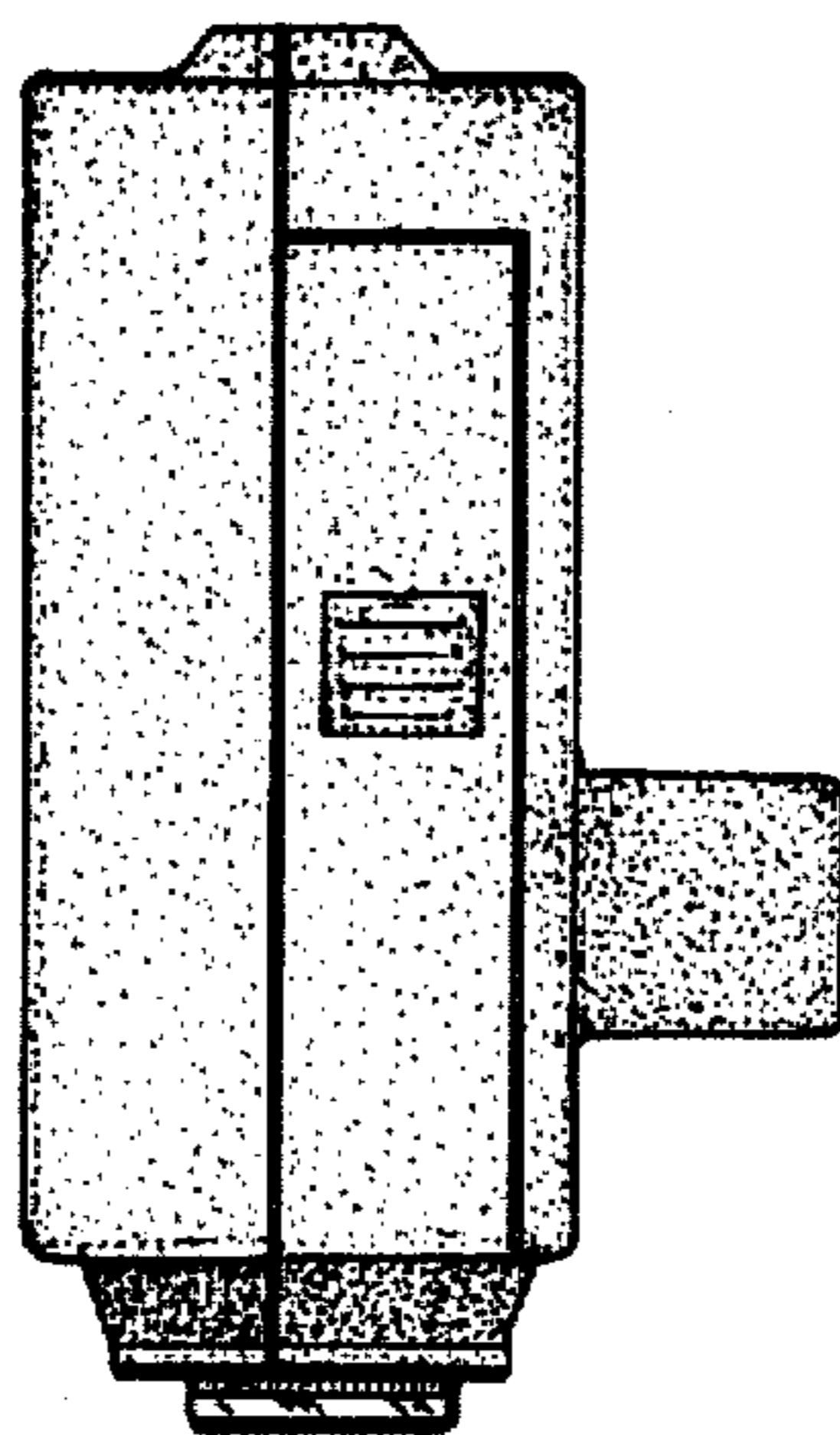


fig. 4

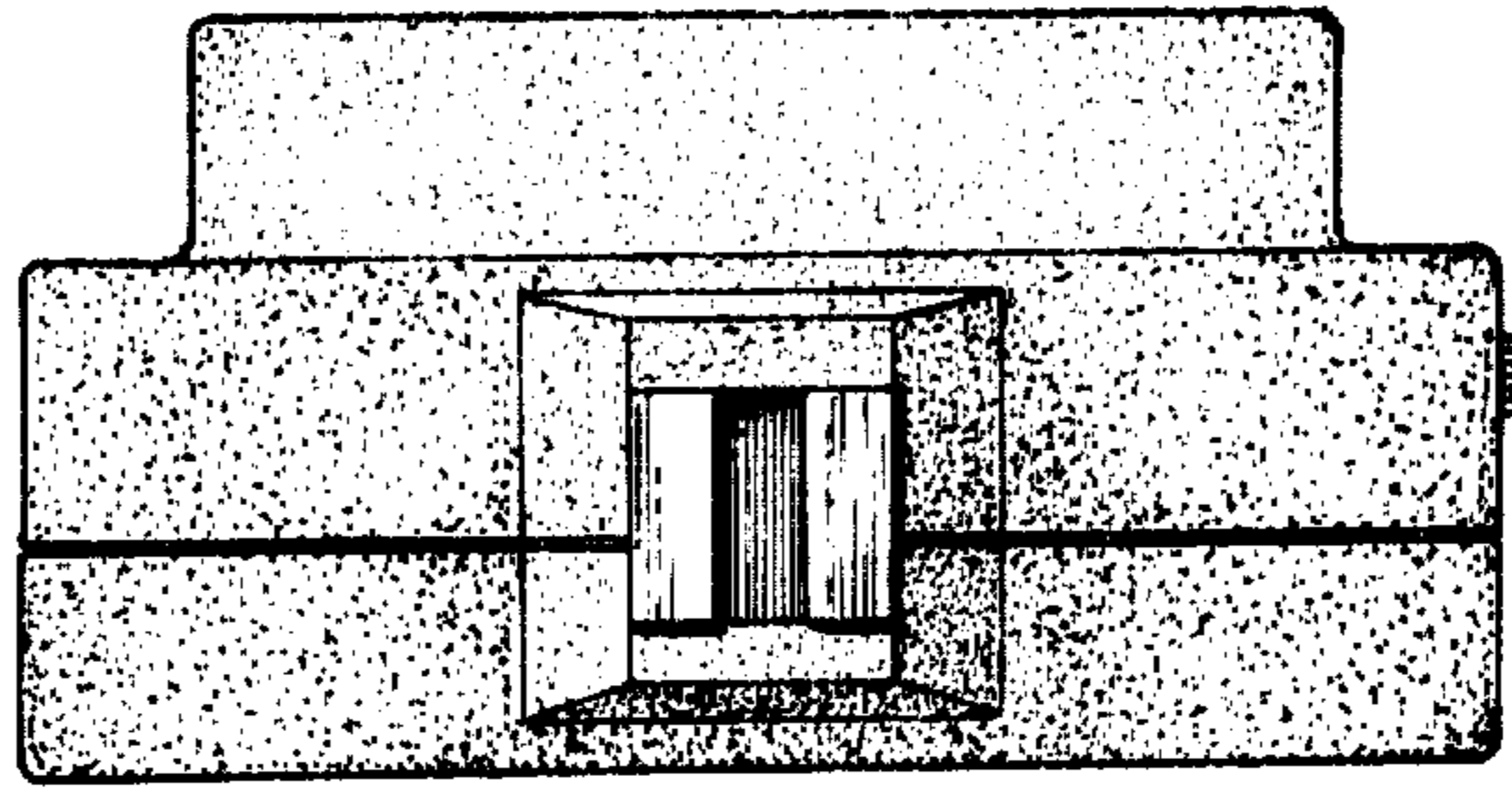


fig. 5

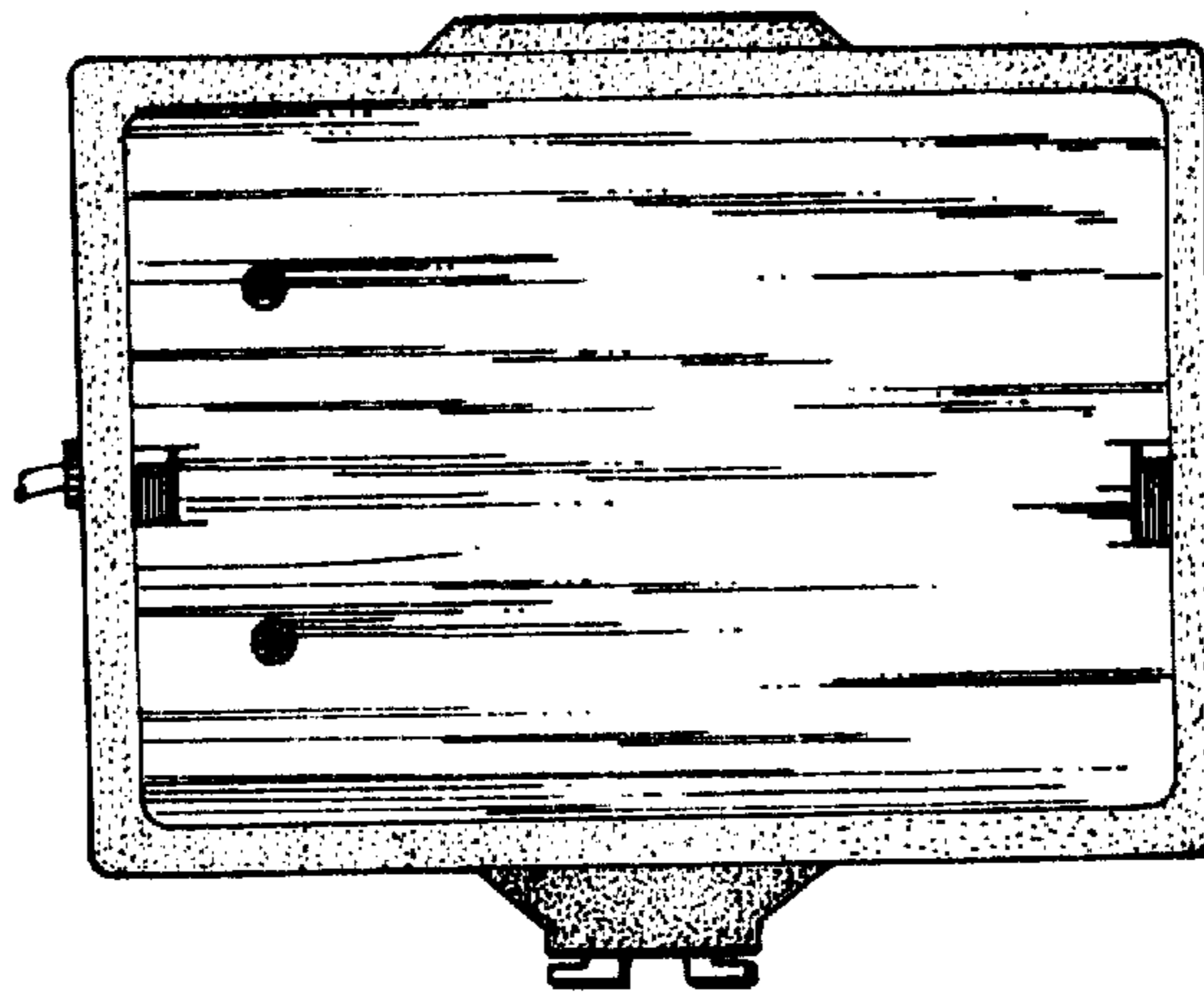


fig. 6