

[54] SEWING MACHINE

[75] Inventor: Ziro Kosugi, Tokyo, Japan

[73] Assignee: Janome Sewing Machine Co. Ltd., Tokyo, Japan

[**] Term: 14 Years

[21] Appl. No.: 325,829

[22] Filed: Nov. 30, 1981

Related U.S. Application Data

[63] Continuation of Ser. No. 124,788, Feb. 25, 1980.

[30] Foreign Application Priority Data

Sep. 19, 1979 [JP] Japan 54 39,113

[51] Int. Cl. D15-06

[52] U.S. Cl. D15/69

[58] Field of Search D15/66, 68, 69, 70, D15/71, 72, 73, 74, 75, 76; 112/258, 259, 260, 270, 275, 277, 217.4

[56] References Cited

U.S. PATENT DOCUMENTS

D. 249,947 10/1978 Gegauf D15/75 X

3,987,739 10/1976 Wurst et al. 112/275 X
4,220,103 9/1980 Kasahara et al. 112/260
4,224,887 9/1980 Meier 112/260

FOREIGN PATENT DOCUMENTS

2726727 6/1978 Fed. Rep. of Germany 112/260

OTHER PUBLICATIONS

Sew Business Jun. 1976, p. 34, Sewing Machine at bottom of page.

Primary Examiner—Joel Stearman
Assistant Examiner—Carmen H. Vales
Attorney, Agent, or Firm—Michael J. Striker

[57] CLAIM

The ornamental design for a sewing machine, as shown.

DESCRIPTION

FIG. 1 is a front perspective view of a sewing machine showing my design;
FIG. 2 is a front elevational view thereof;
FIG. 3 is a rare elevational view thereof;
FIG. 4 is a top plan view thereof;
FIG. 5 is a bottom plan view thereof;
FIG. 6 is a right side elevation thereof; and
FIG. 7 is a left side elevation thereof.

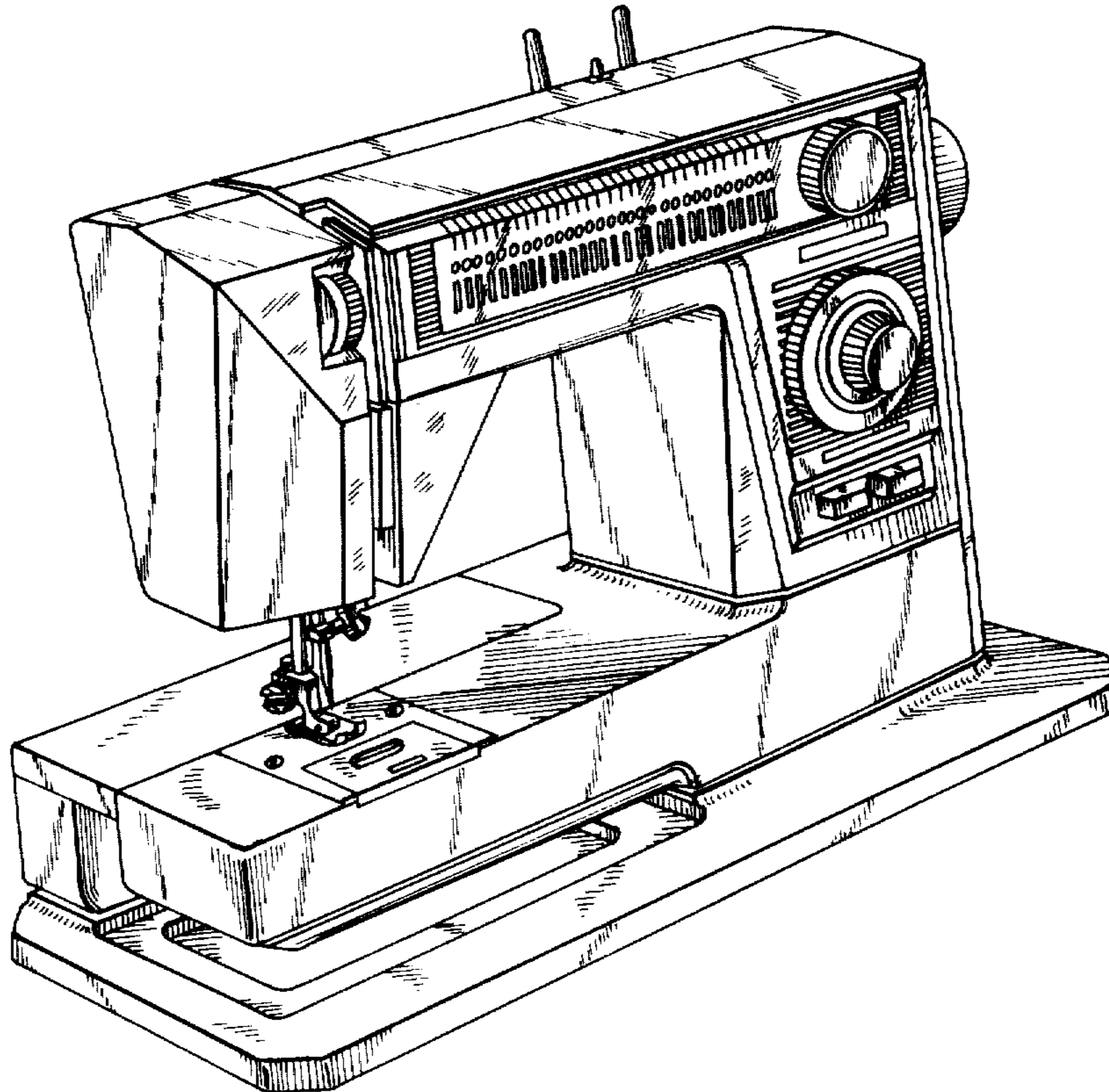
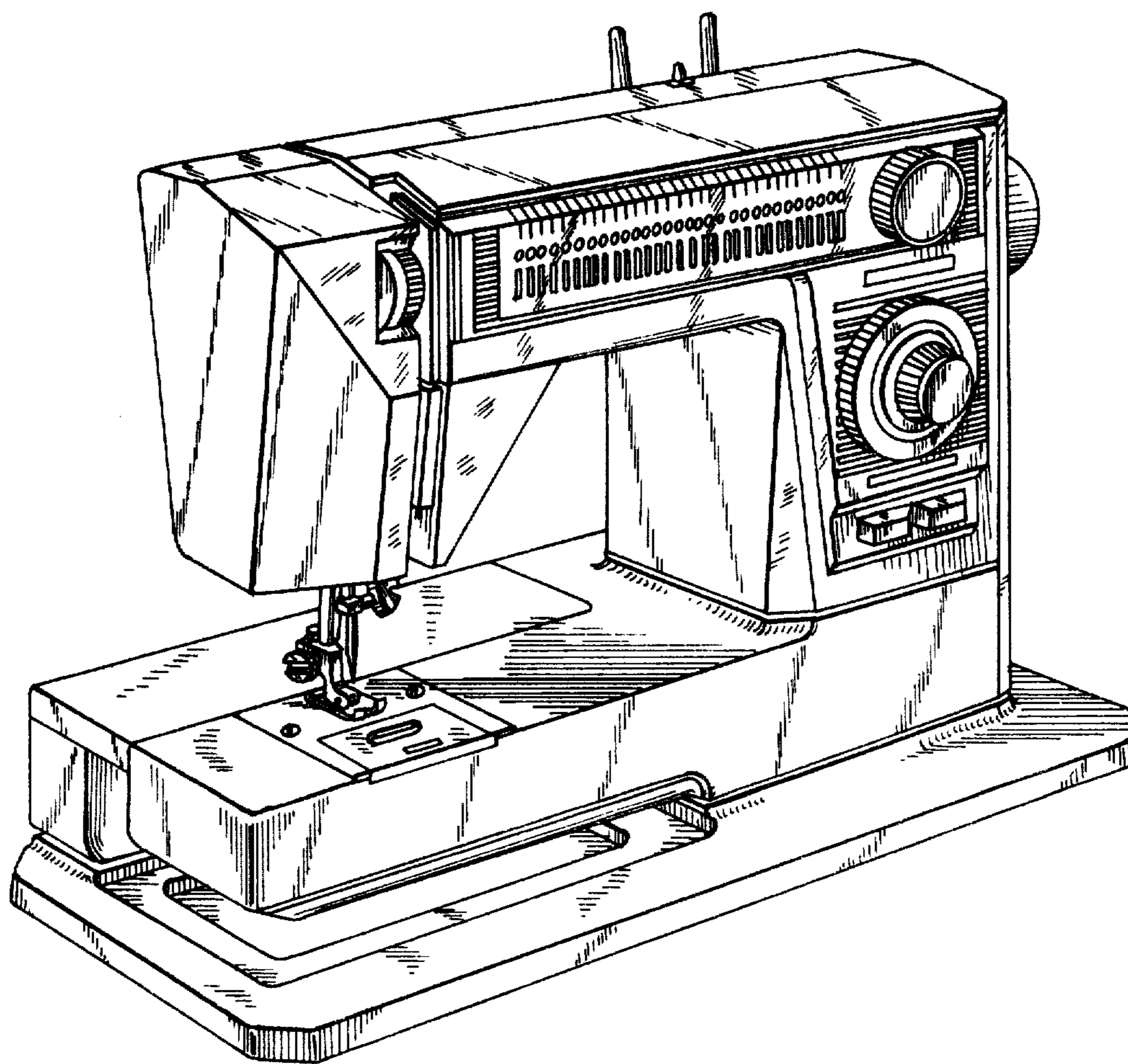


FIG. 1



FIG_2

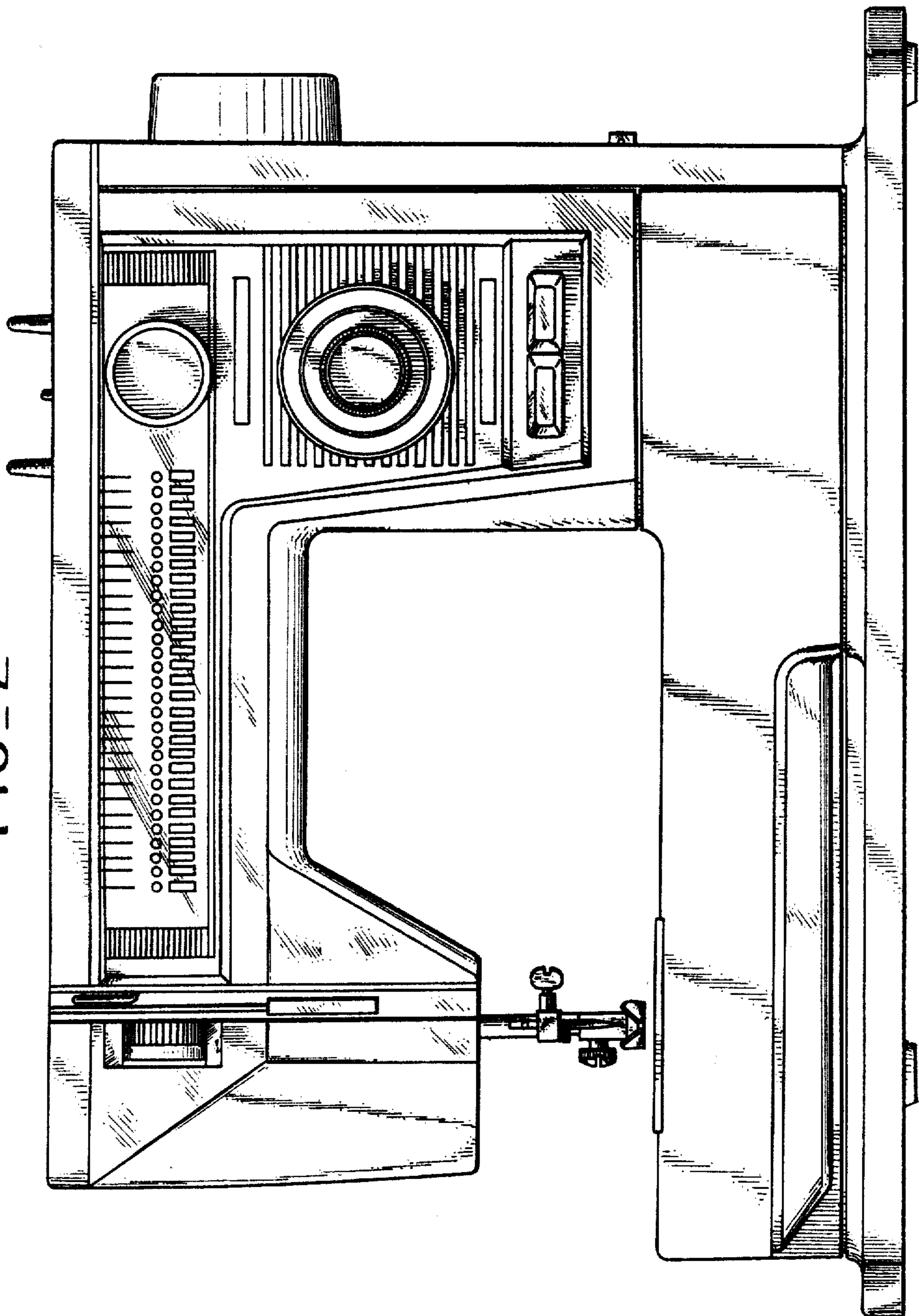


FIG-3

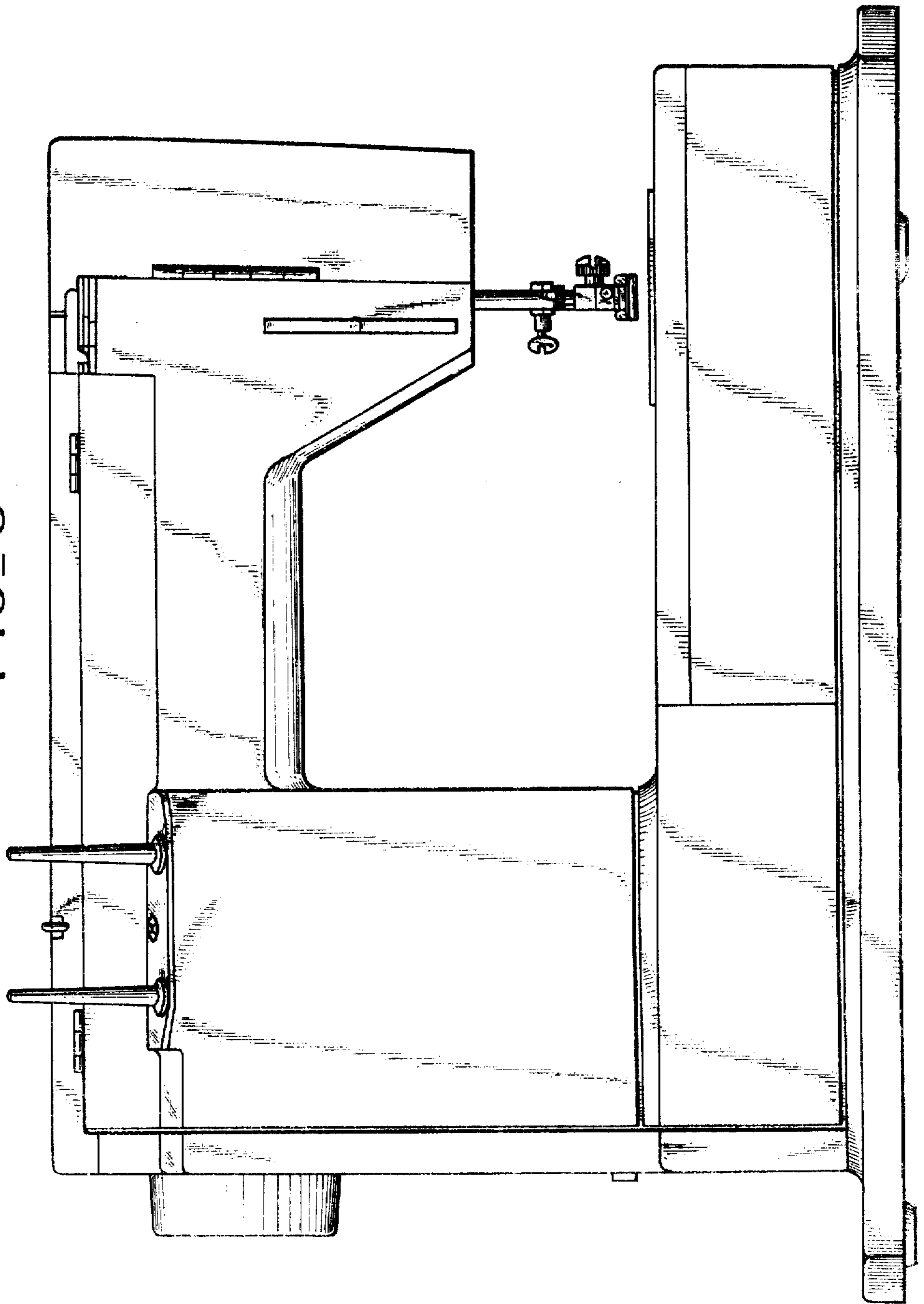


FIG-4

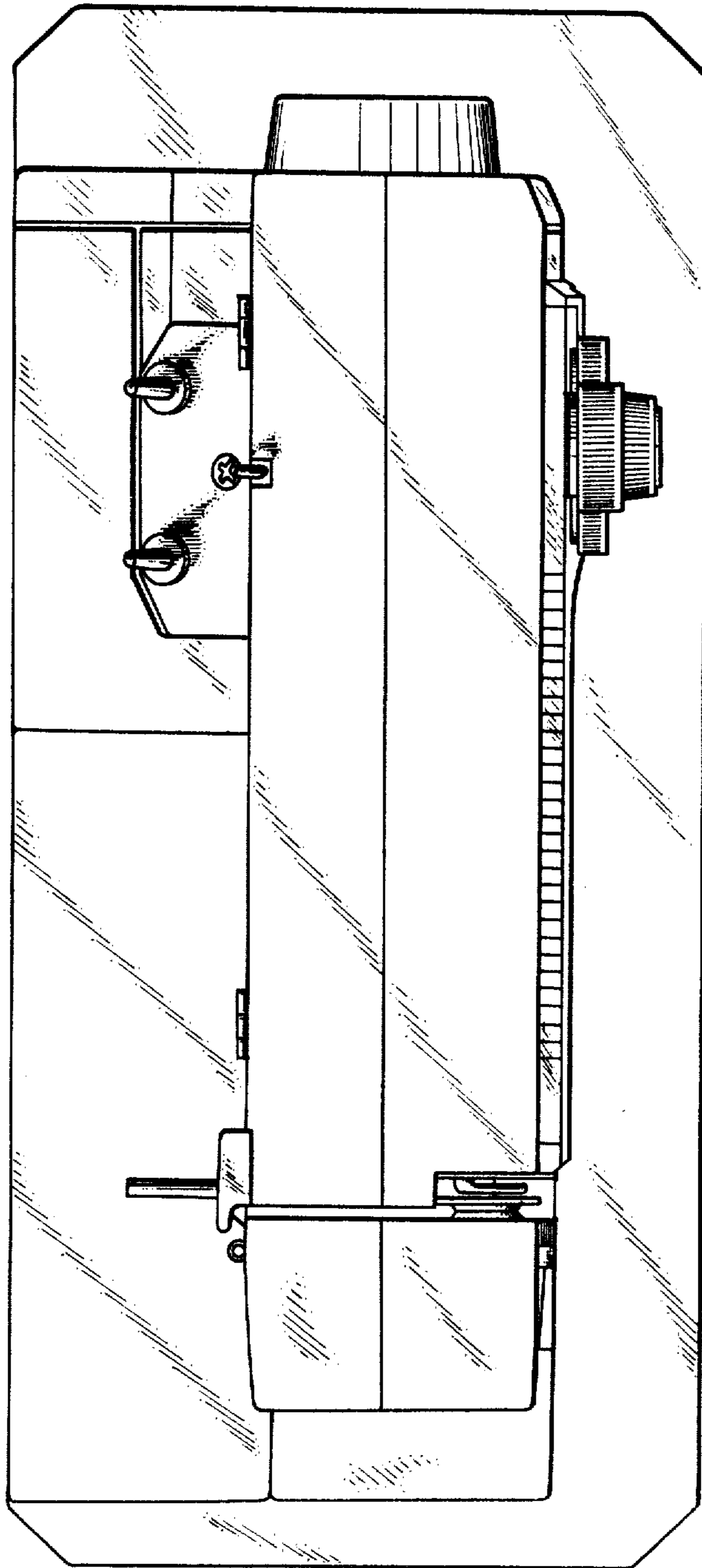


FIG-5

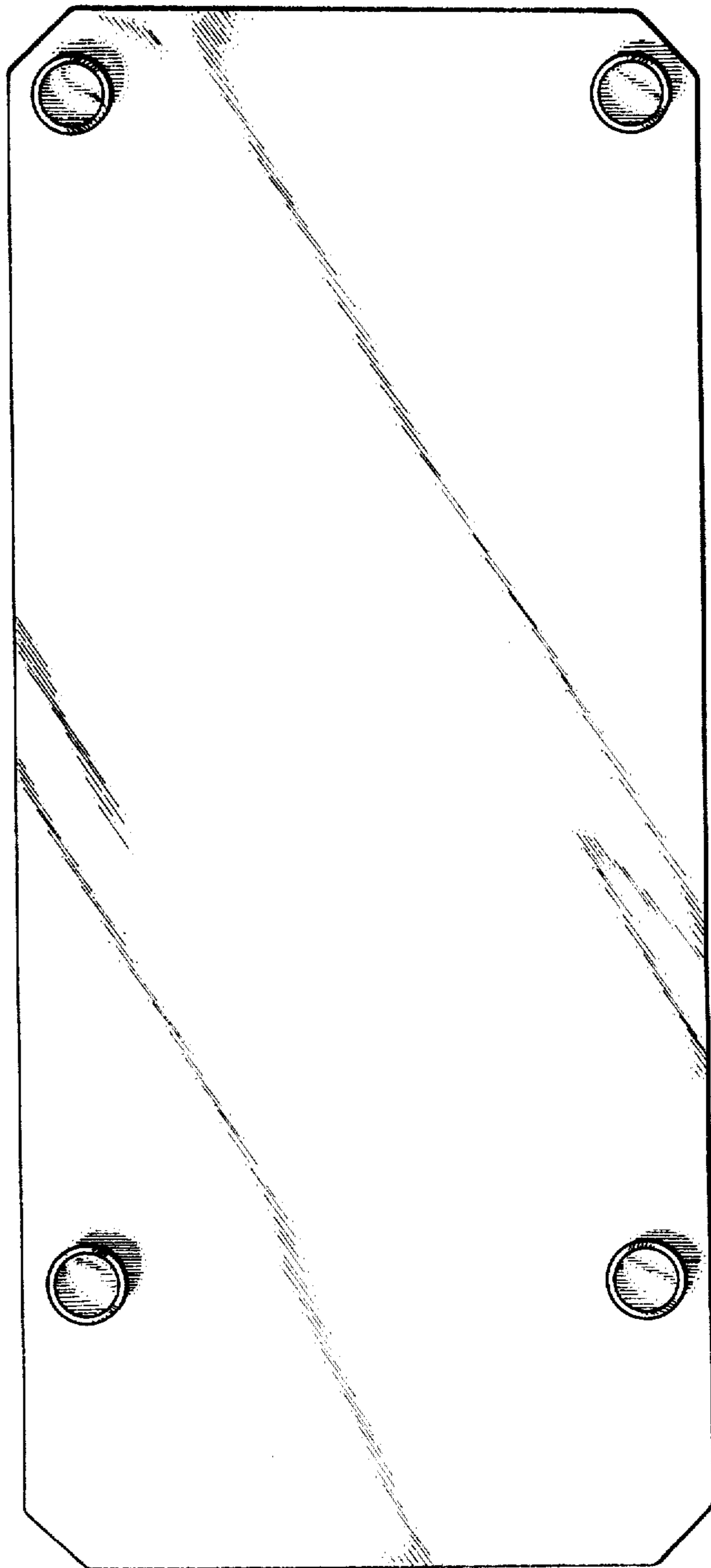


FIG. 6

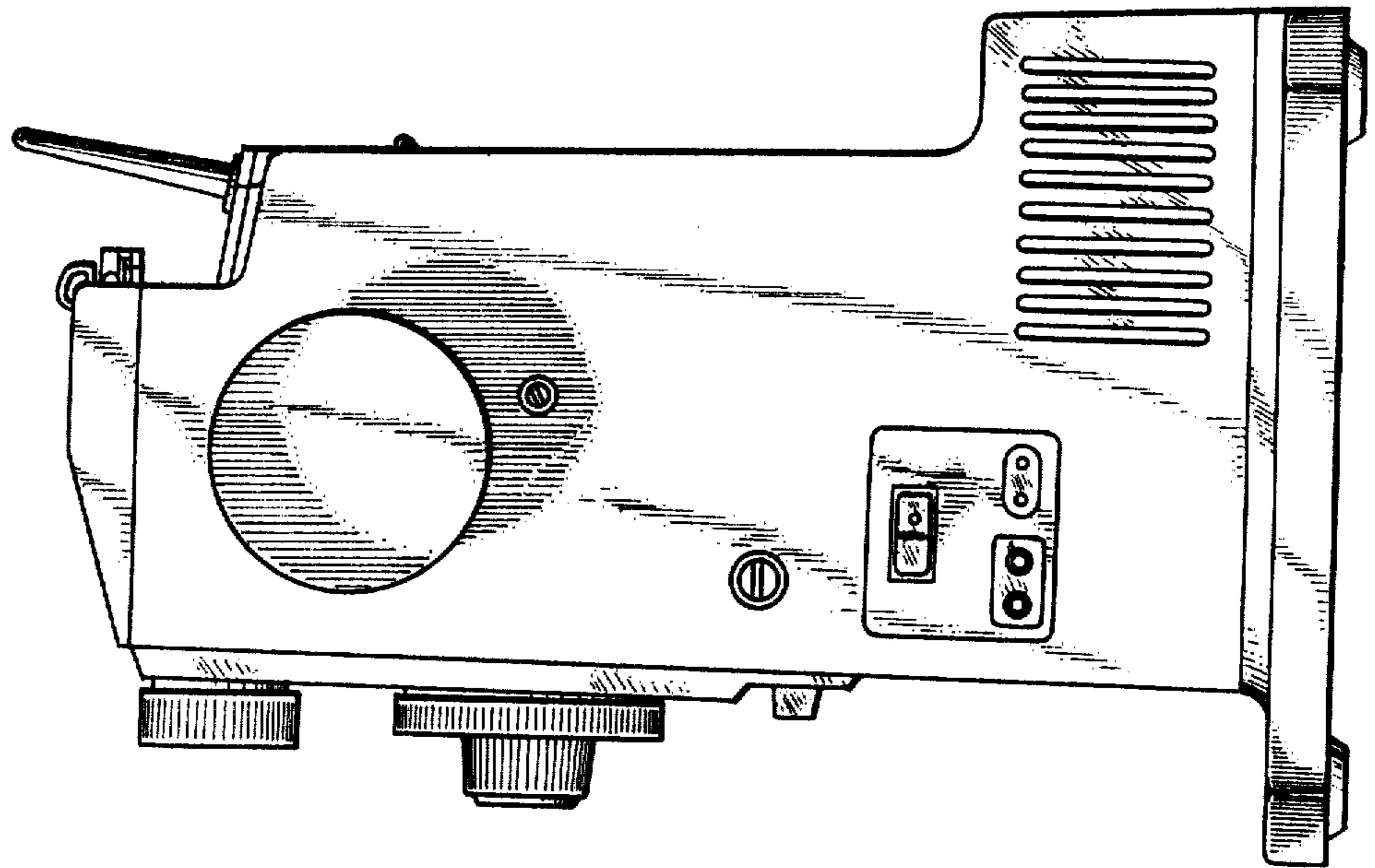


FIG. 7

