

[54] HYDRAULIC PUMP

[75] Inventor: Donald W. Sessody, Brookfield, Wis.

[73] Assignee: Applied Power Inc., Brookfield, Wis.

[\*\*] Term: 14 Years

[21] Appl. No.: 275,138

[22] Filed: Jun. 18, 1981

[51] Int. Cl. .... D15-02

[52] U.S. Cl. .... D15/7

[58] Field of Search ..... D15/7, 8, 9; 417/401, 417/448, 449, 450, 489, 424

[56] References Cited

U.S. PATENT DOCUMENTS

D. 228,961	10/1973	D'Haem	.....	D15/7
2,588,164	3/1952	Roberts et al.	.....	417/401
4,087,210	5/1978	Suechting	.....	417/401

OTHER PUBLICATIONS

*Design News*, May 5, 1980, p. 140, Enerpac Hydraulic Pumps, lower left corner.

Primary Examiner—Wallace R. Burke

Assistant Examiner—Lynn Wilder

Attorney, Agent, or Firm—Andrus, Scales, Starke & Sawall

[57] CLAIM

The ornamental design for a hydraulic pump, substantially as shown.

DESCRIPTION

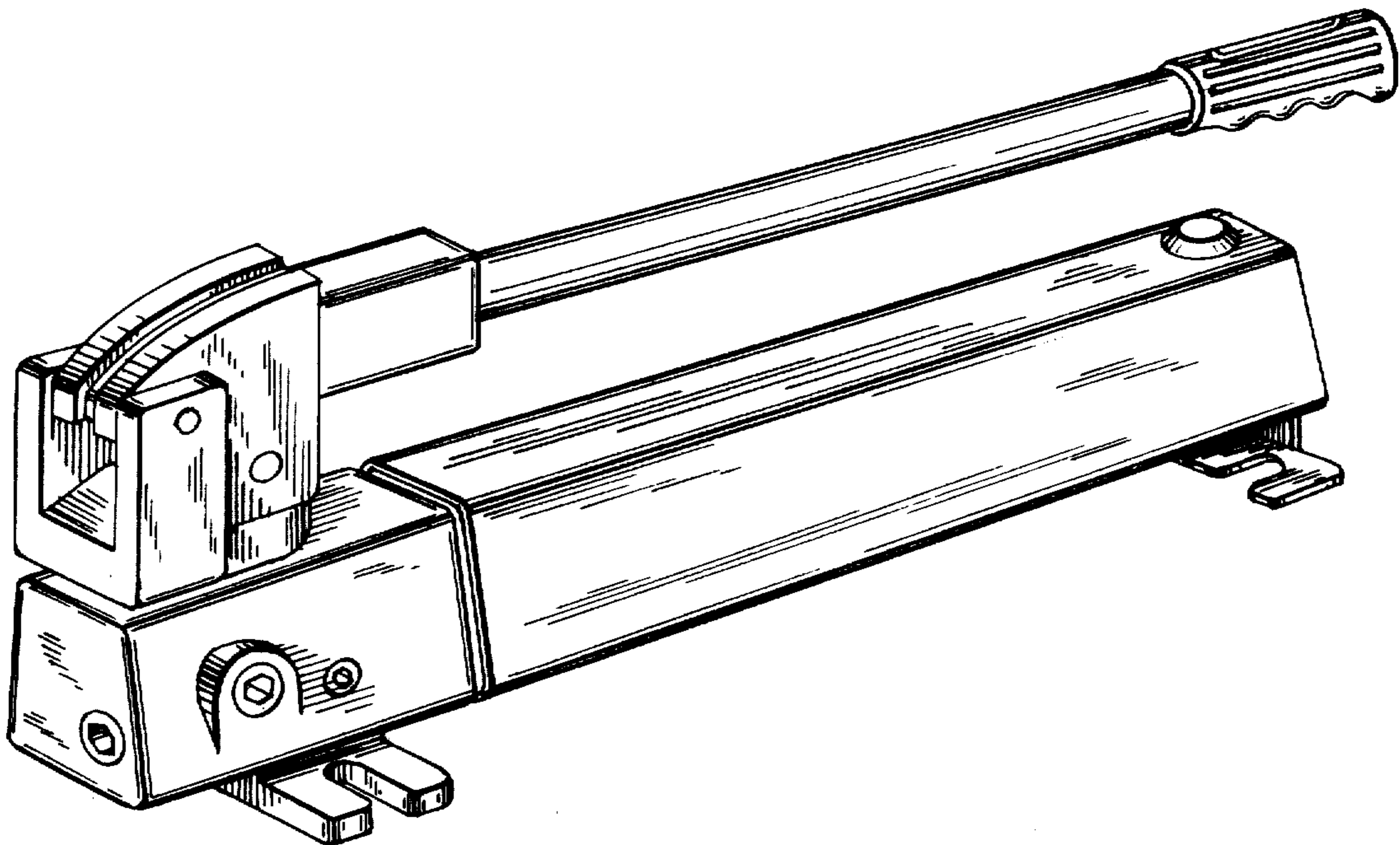
FIG. 1 is a view in perspective of a hydraulic pump showing my new design;

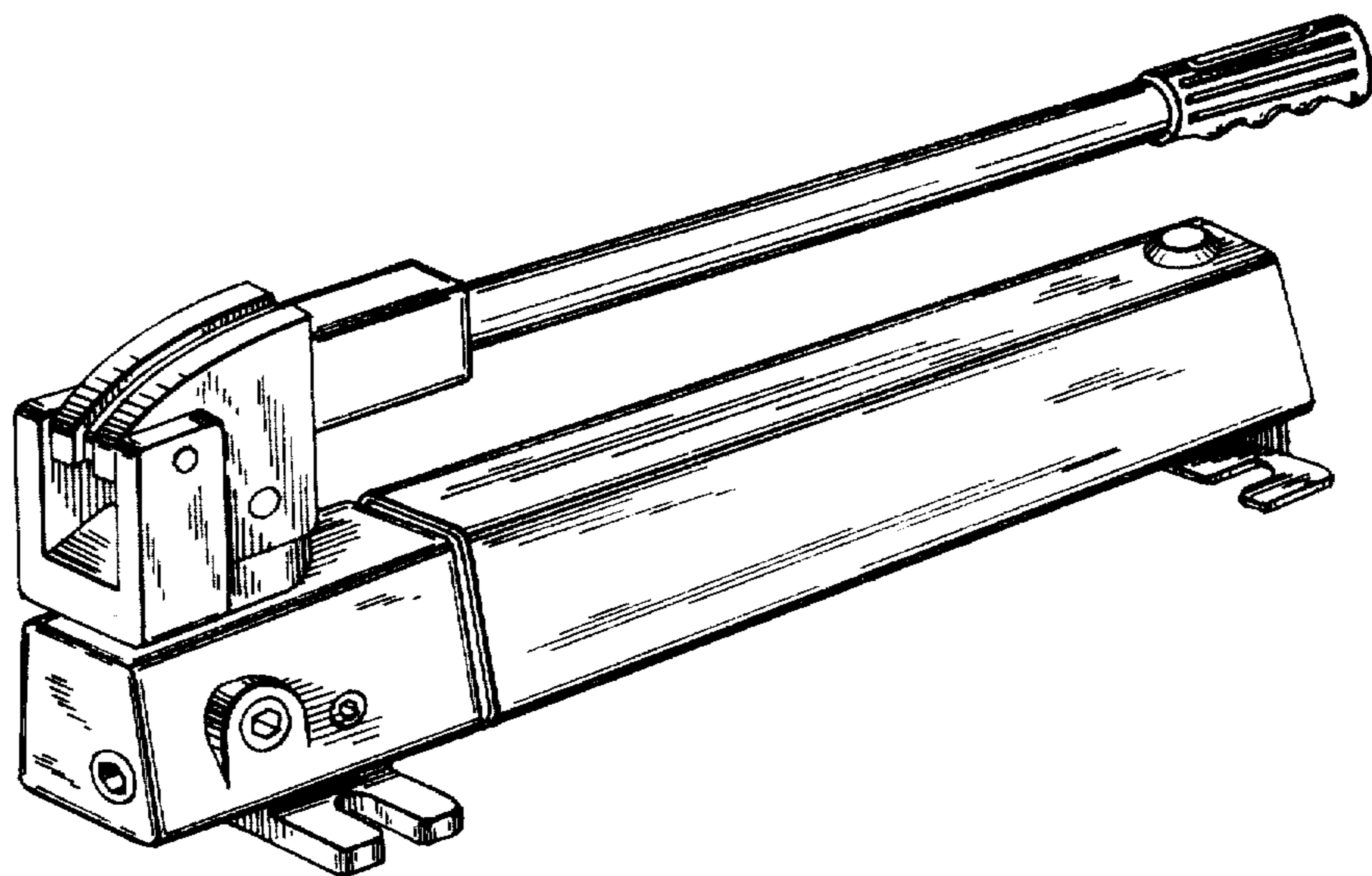
FIG. 2 is a side view thereof;

FIG. 3 is a top view thereof;

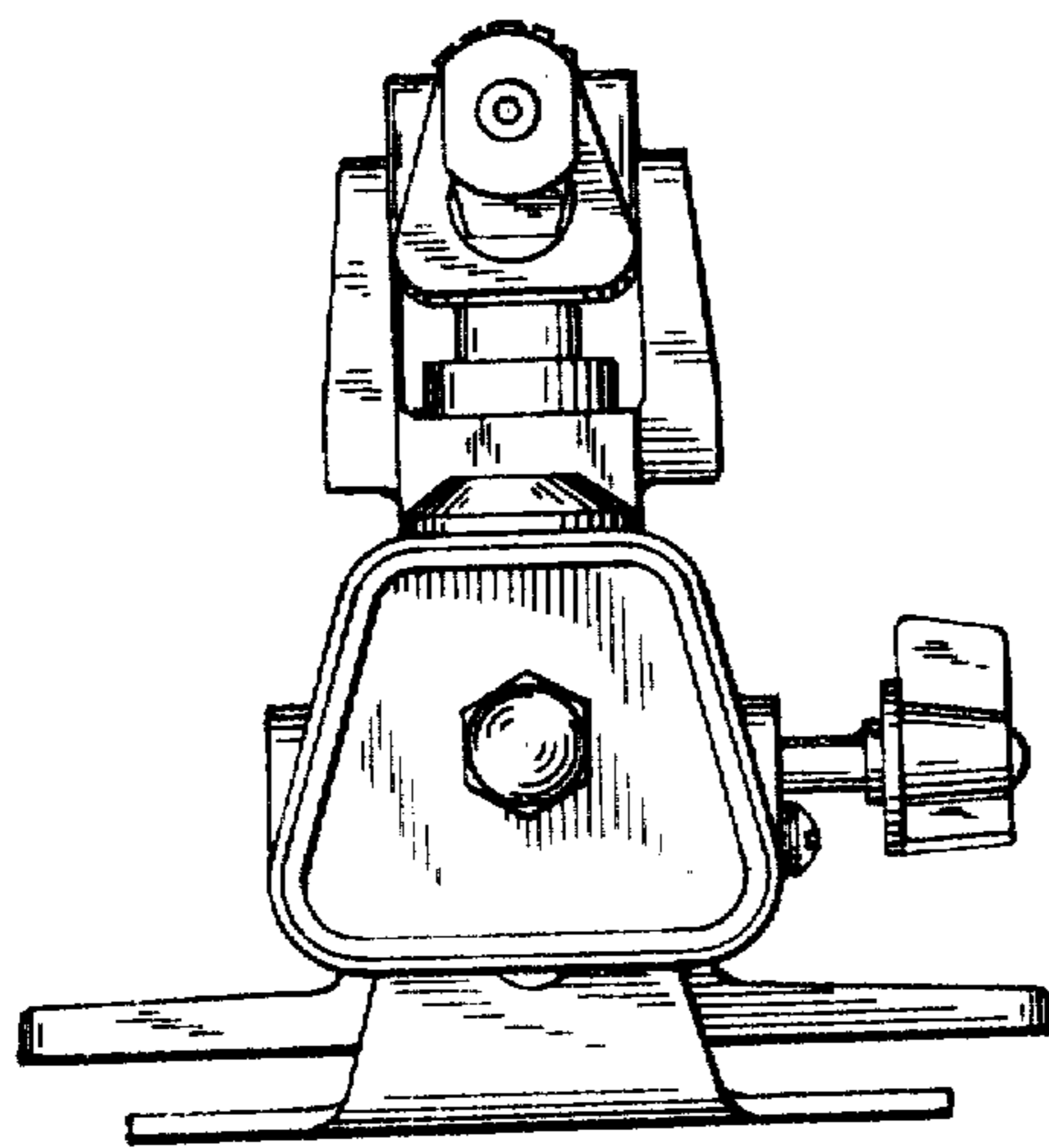
FIG. 4 is a rear view thereof; and

FIG. 5 is a front view thereof.

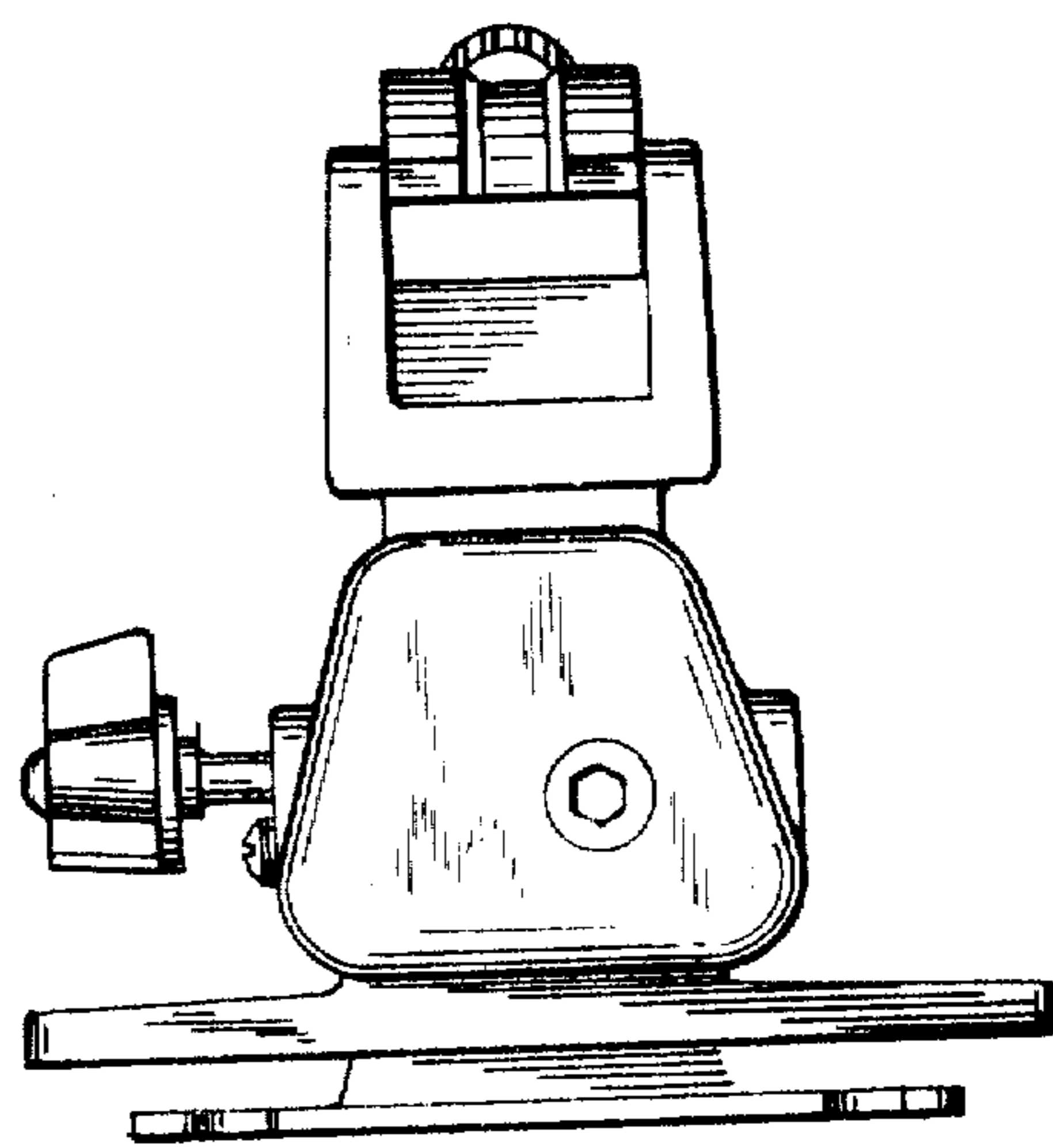




*Fig. 1*



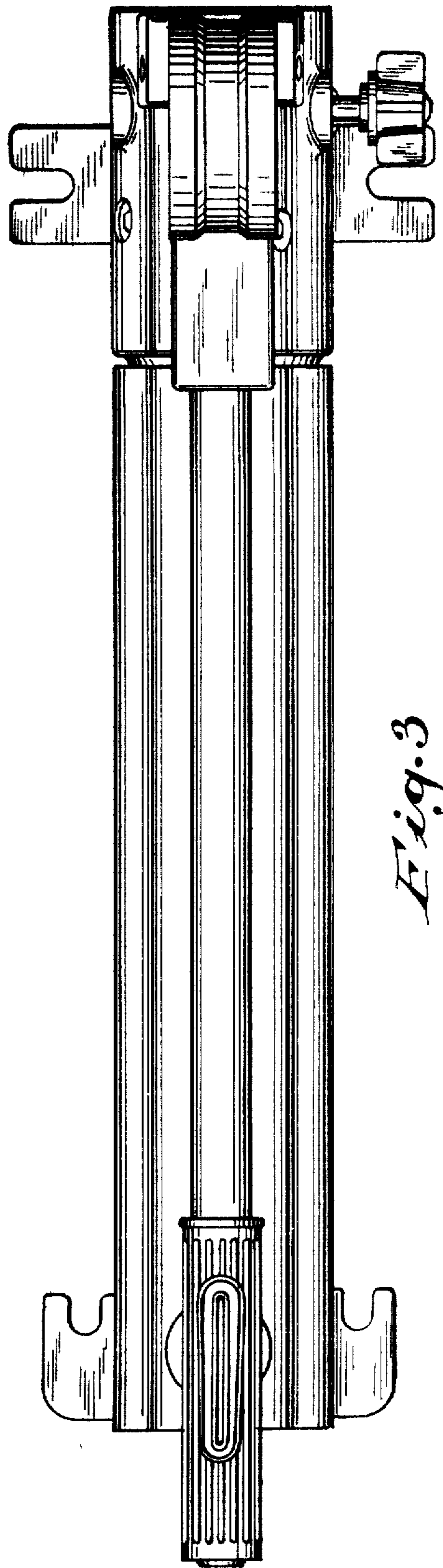
*Fig. 4*



*Fig. 5*



*Fig. 2*



*Fig. 3*