

[54] SELF-ELEVATING LINE TESTING VESSEL FOR OFFSHORE OIL LINES OR THE LIKE

3,951,097 4/1976 Clark 114/265 X
4,040,265 8/1977 Hellerman et al. 405/196
4,156,577 5/1979 McMakin 114/265 X

[76] Inventor: David T. Younes, P.O. Box 7333, Abu Dhabi, United Arab Emirates

Primary Examiner—A. Hugo Word
Attorney, Agent, or Firm—Arthur G. Yeager

[**] Term: 14 Years

[21] Appl. No.: 280,283

[22] Filed: Jul. 6, 1981

[57] CLAIM

The ornamental design for a self-elevating line testing vessel for offshore oil lines or the like, substantially as shown and described.

[51] Int. Cl. D12-06

[52] U.S. Cl. D12/316; D25/1

[58] Field of Search D12/316, 317, 300, 302, D12/312; 114/264, 258, 265, 266; 405/198, 196, 199; D25/1

DESCRIPTION

FIG. 1 is a front elevational view of a self-elevating line testing vessel for offshore oil lines or the like showing my new design; the spuds being broken for clarity of illustration and the water being shown to place the vessel in its environment;

FIG. 2 is a rear elevational view thereof;

FIG. 3 is a left elevational view thereof;

FIG. 4 is a right end elevational view thereof;

FIG. 5 is a top plan view thereof; and

FIG. 6 is a bottom plan view thereof.

[56] References Cited

U.S. PATENT DOCUMENTS

- D. 193,289 7/1962 Travers et al. D12/303
- D. 198,002 4/1964 Thornton et al. D12/316 X
- 3,343,372 9/1967 Smulders 405/198
- 3,734,220 5/1973 Smith 405/198 X

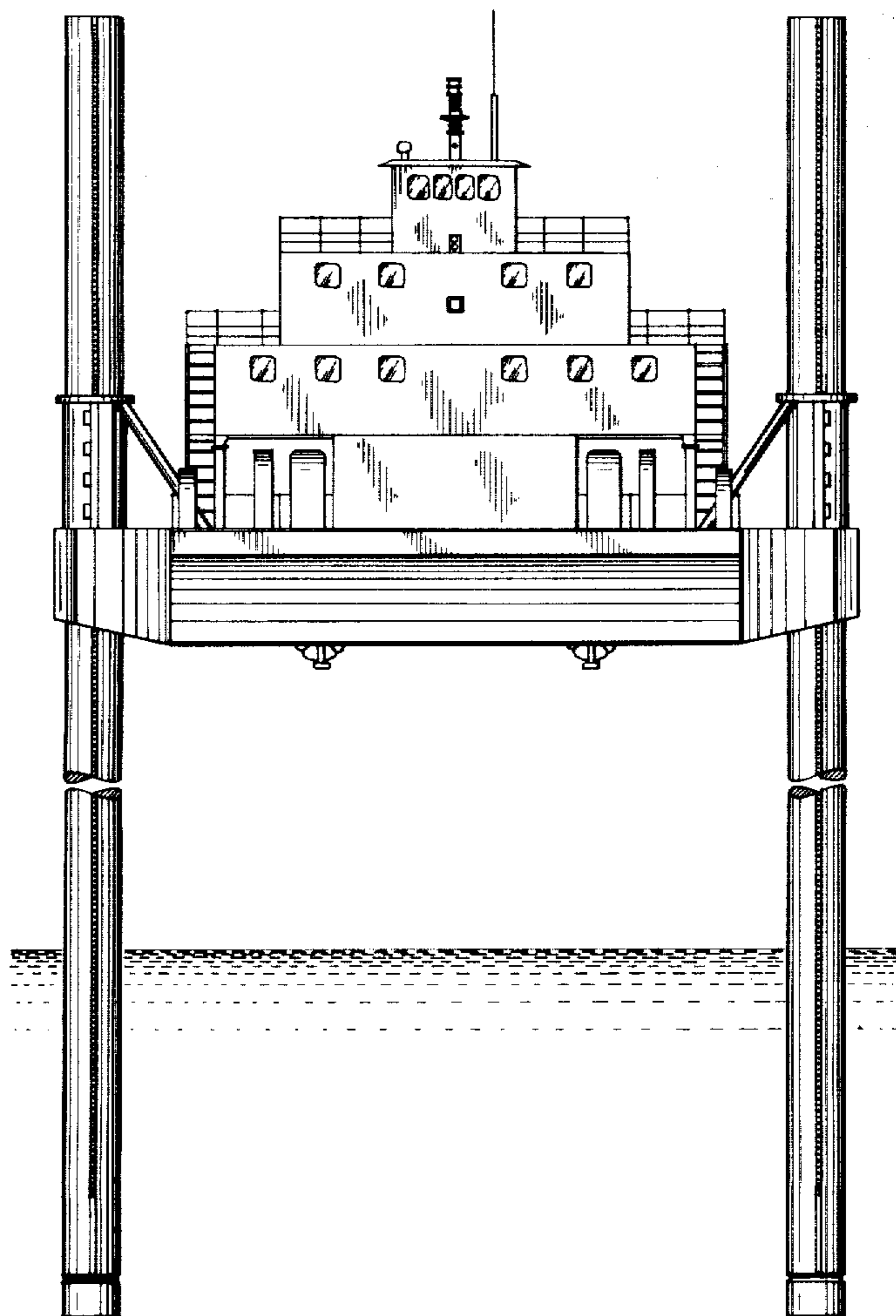


FIG. 1

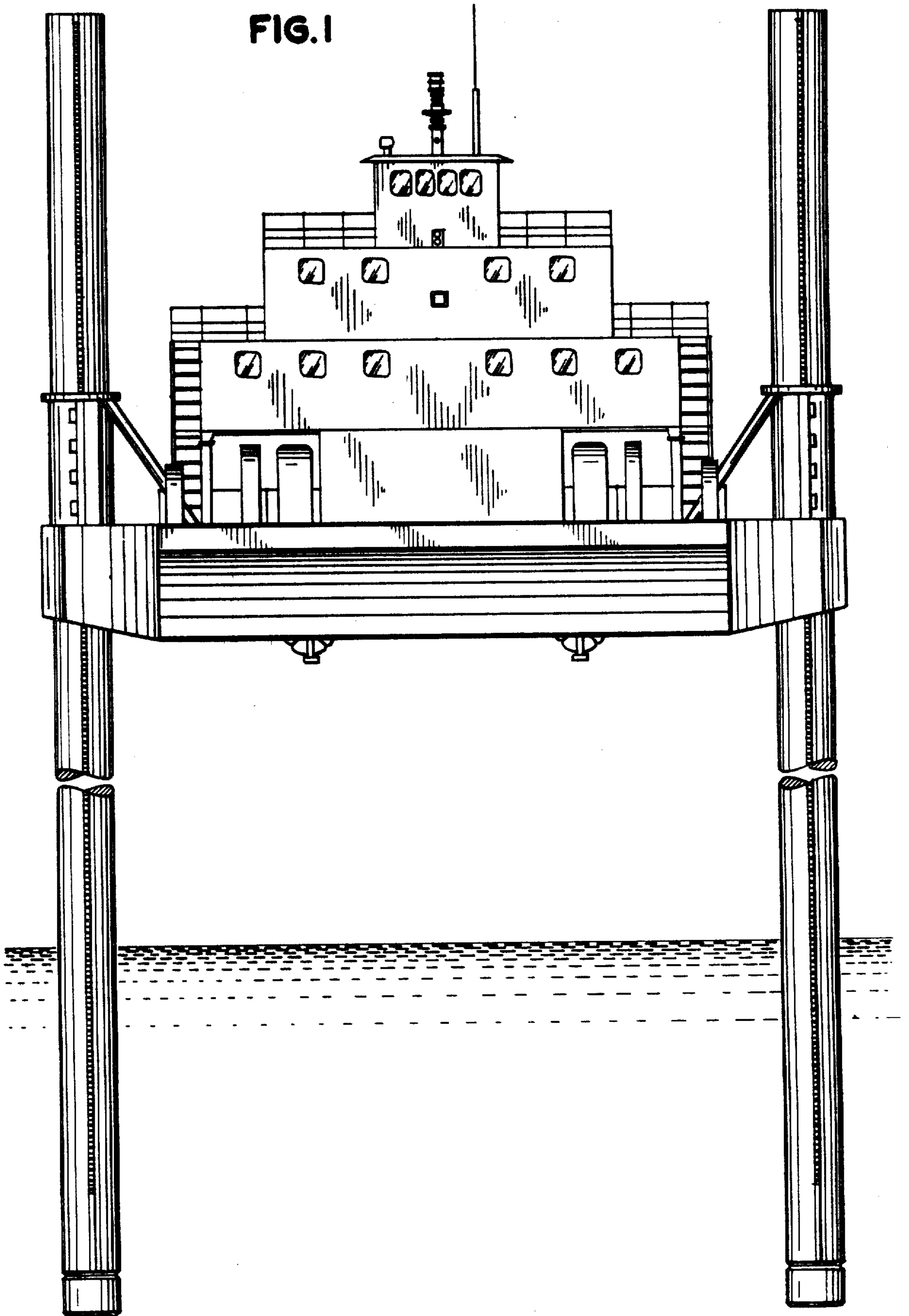


FIG. 2

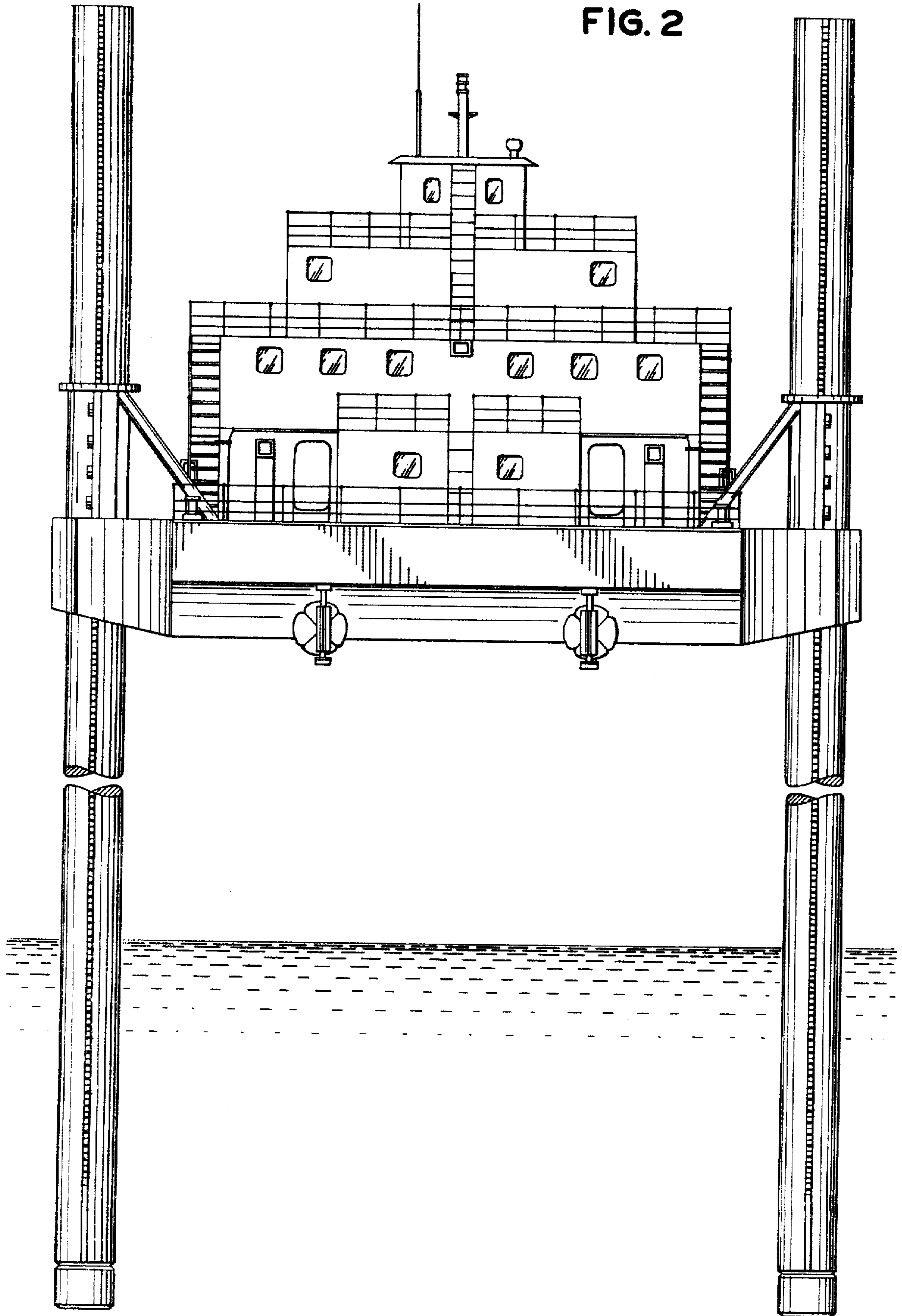
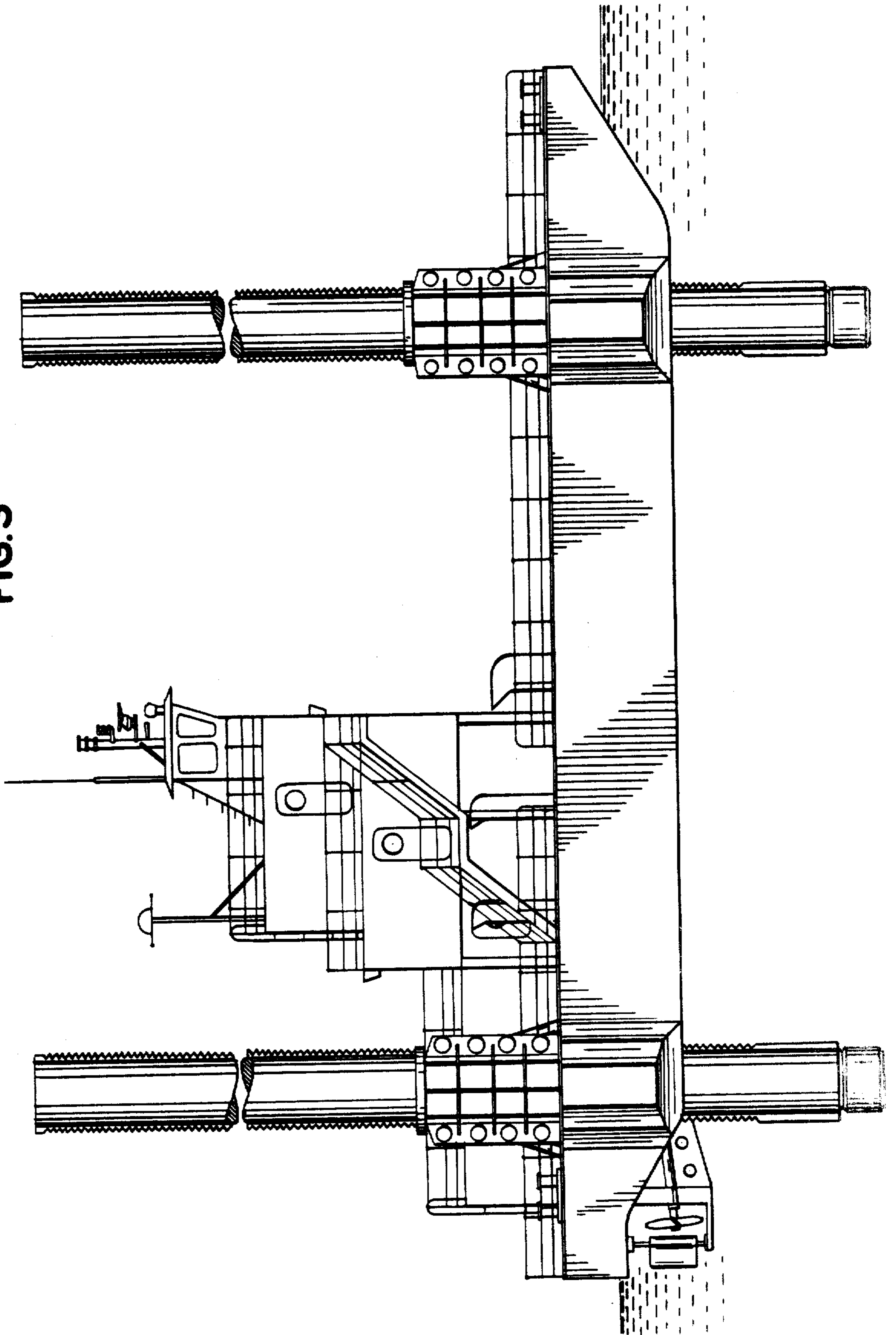


FIG. 3



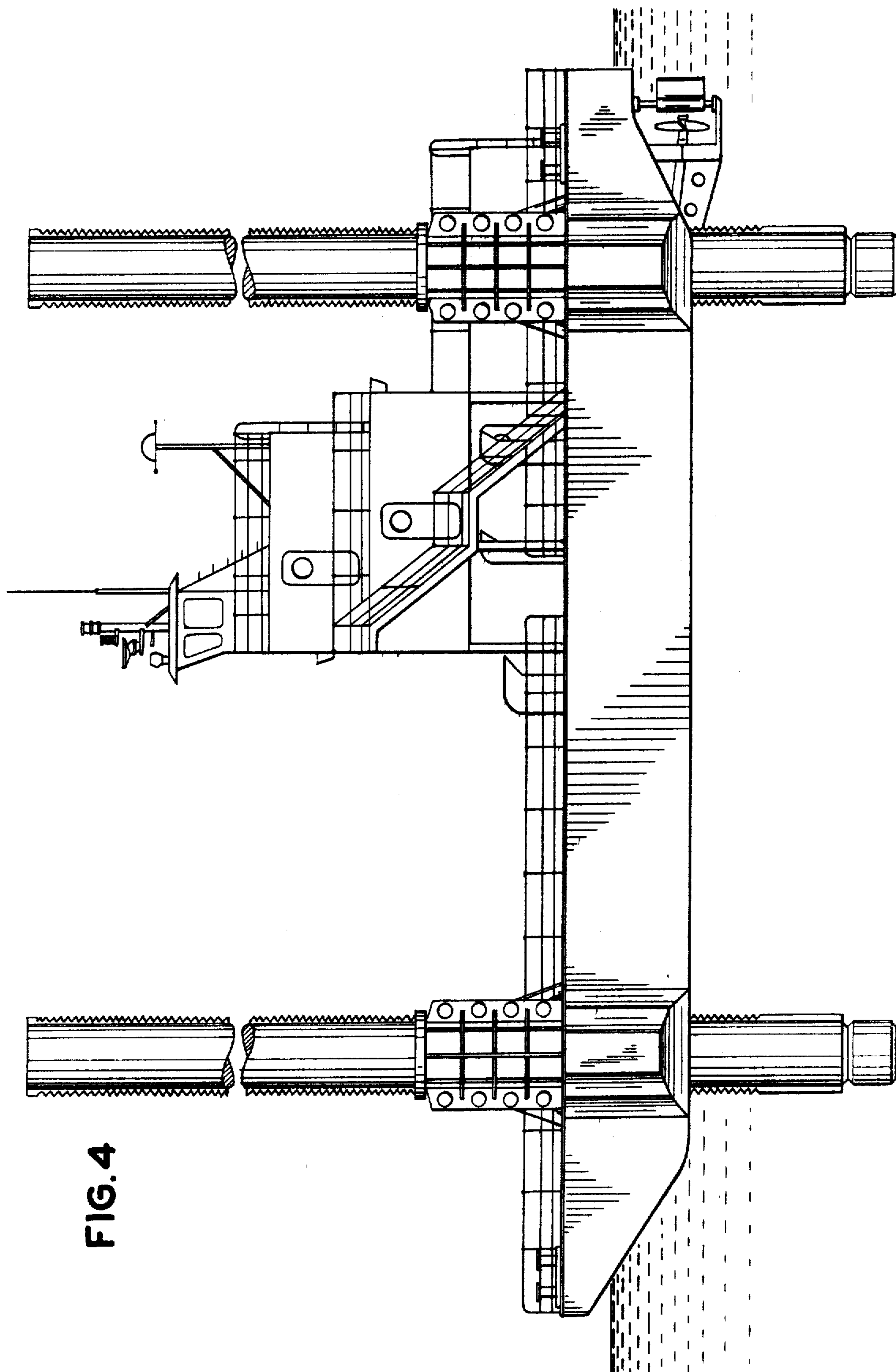
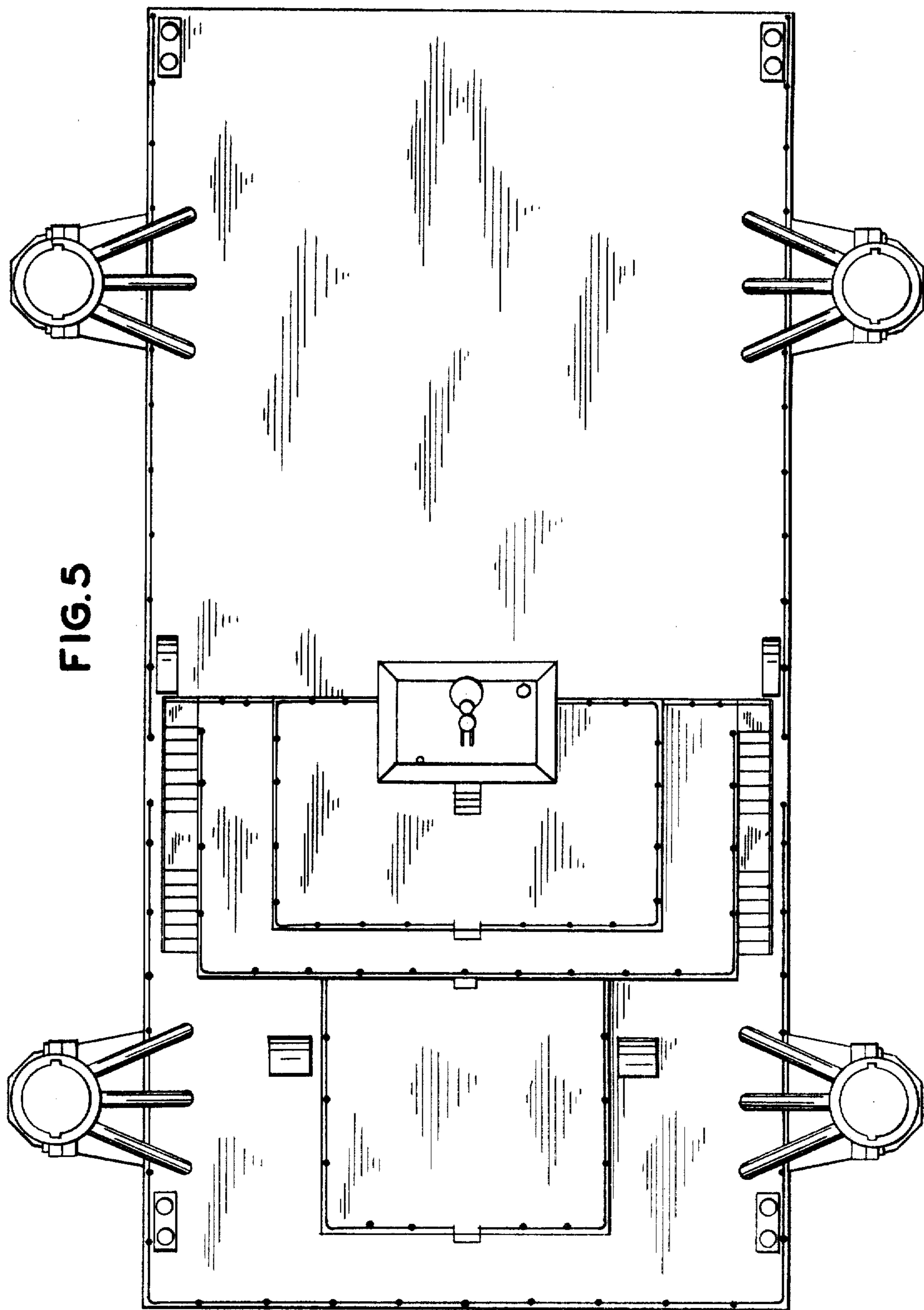


FIG. 4



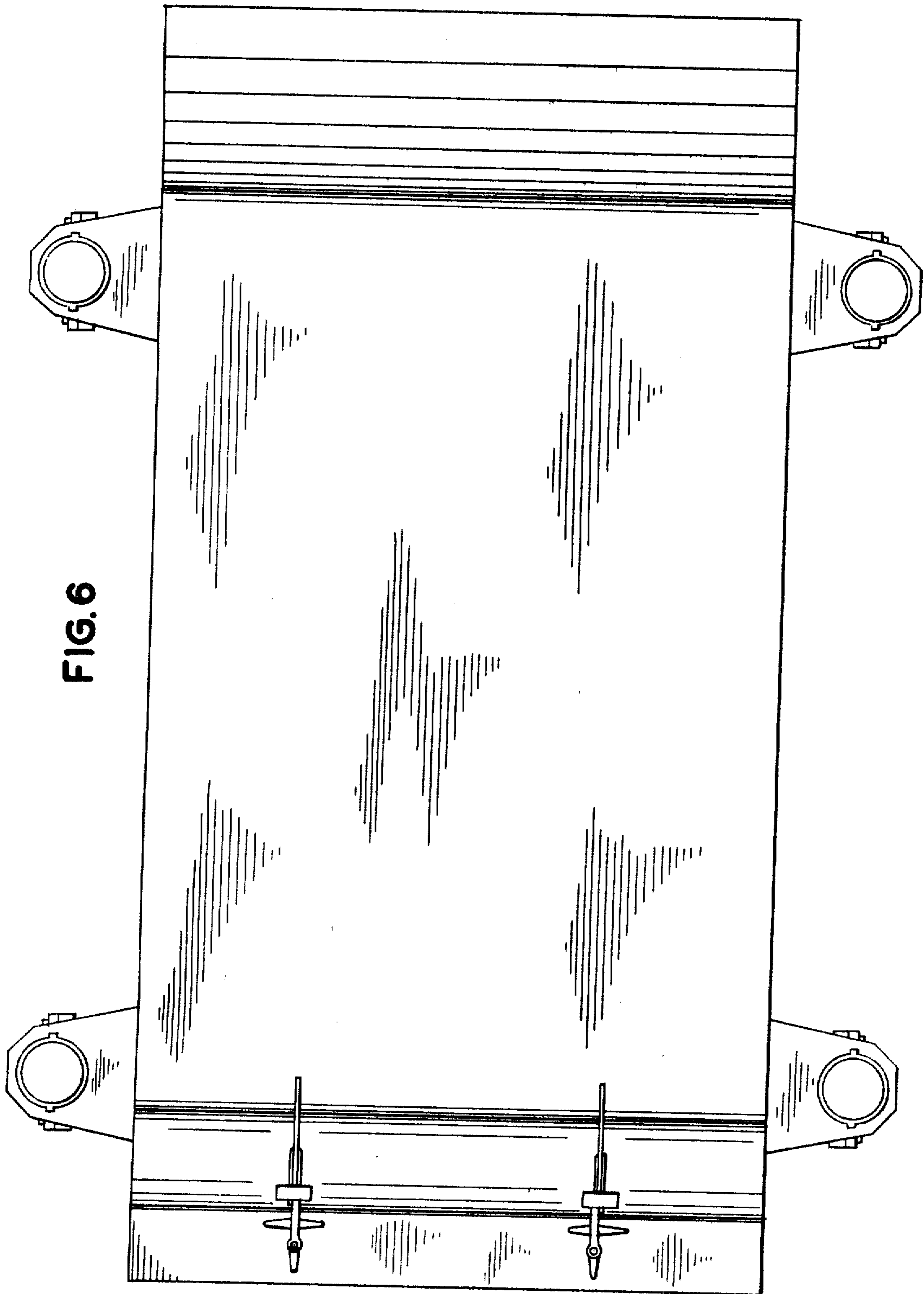


FIG. 6