

[54] TOW TRUCK VEHICLE BODY

[76] Inventor: **Ronald R. Nespor**, c/o Chevron, Inc., R.D. #7, Rte. 62, Mercer, Pa. 16137

[**] Term: **14 Years**

[21] Appl. No.: **200,076**

[22] Filed: **Oct. 24, 1980**

[51] Int. Cl. **D12-13**

[52] U.S. Cl. **D12/14**

[58] Field of Search **D12/14; 280/402; 414/563**

[56] **References Cited**

U.S. PATENT DOCUMENTS

D. 252,921 9/1979 Nespor **D12/14**

OTHER PUBLICATIONS

Commercial Car Journal, 2/78, p. 136, 30-Ton Wrecker, top right side of page.

Commercial Car Journal, 2/75, p. 121, Wrecker, top left side of page.

Commercial Car Journal, 10/76, p. 342, top right side of page.

Ford Field, 2/51, p. 15, Wrecker, bottom of page.

Primary Examiner—James M. Gandy

Attorney, Agent, or Firm—Staas & Halsey

[57] **CLAIM**

The ornamental design for a tow truck vehicle body, as shown and described.

DESCRIPTION

FIG. 1 is a top plan view of a tow truck vehicle body showing my new design;

FIG. 2 is a side elevational view thereof the opposite side being a mirror image of that shown;

FIG. 3 is a rear elevational view thereof;

FIG. 4 is a front elevational view thereof.

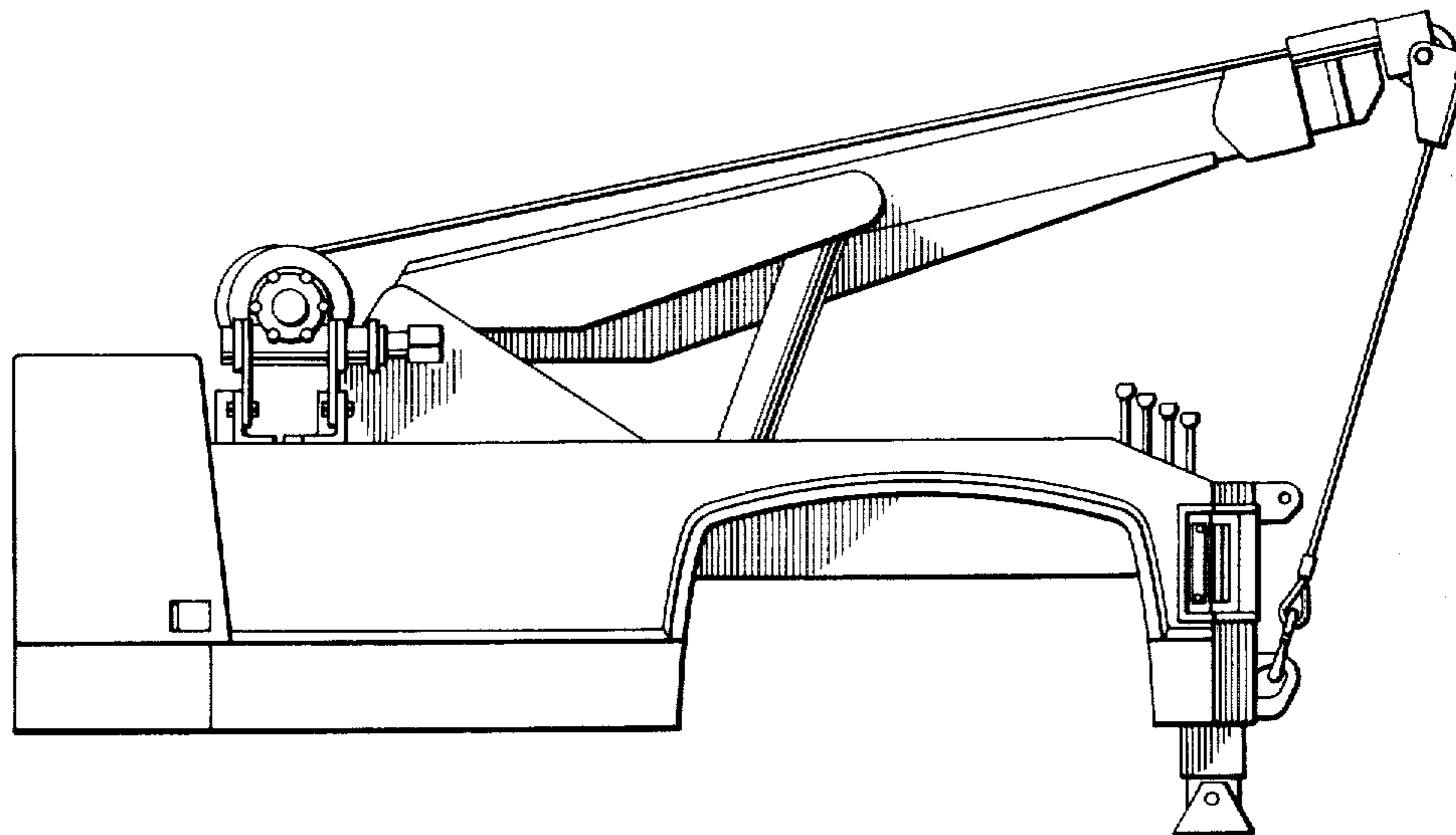
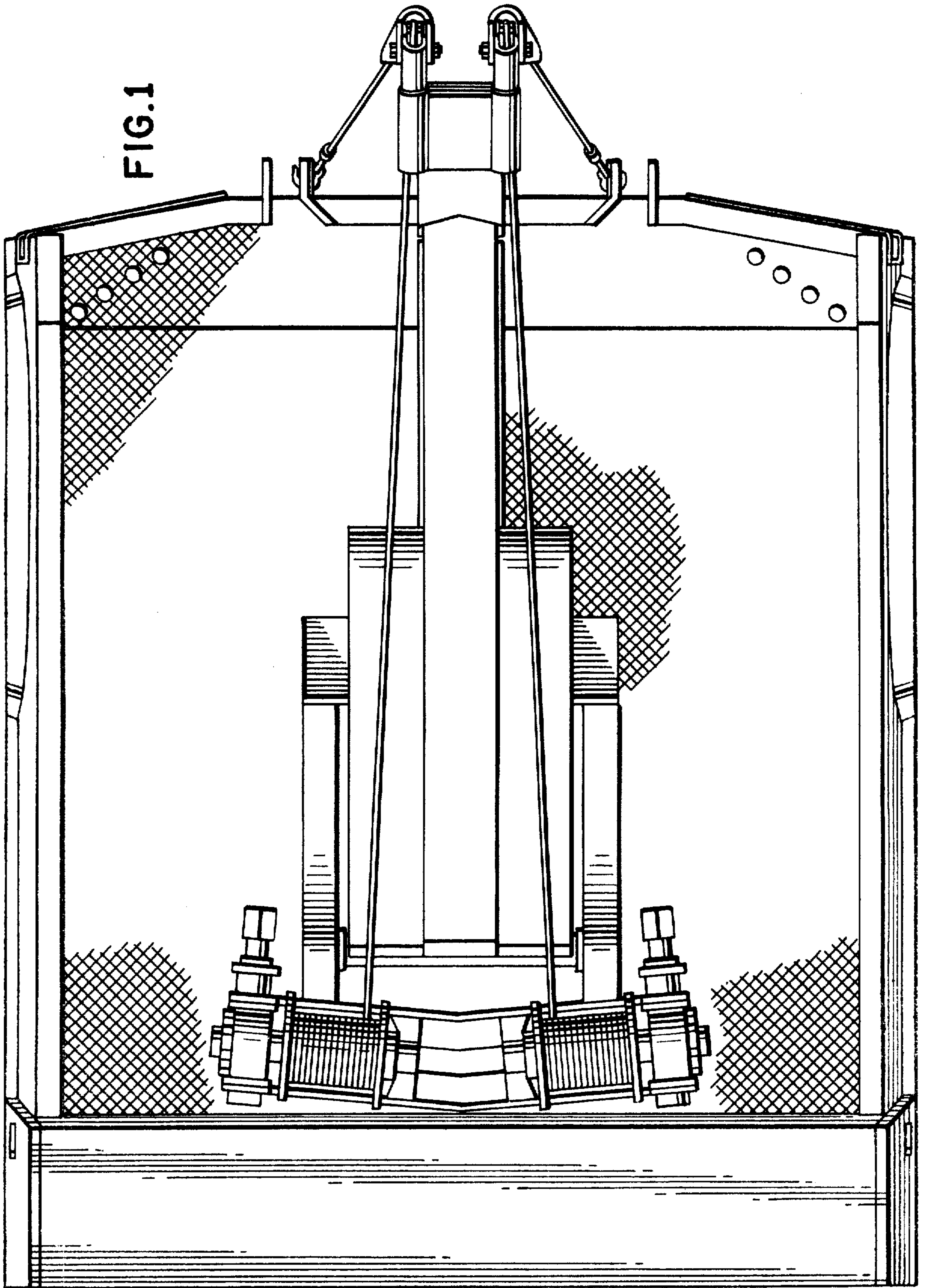


FIG. 1



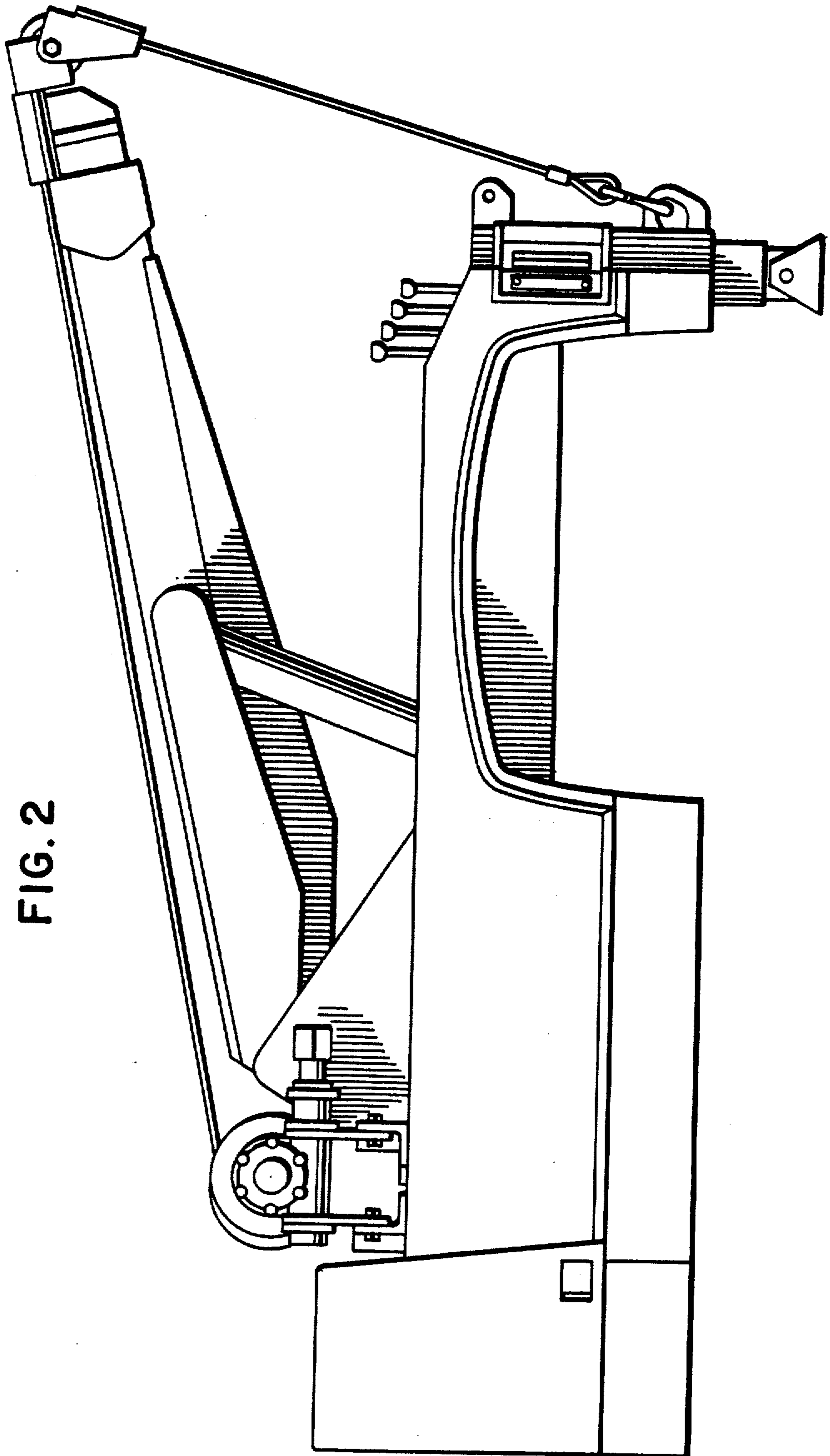


FIG. 2

FIG. 3

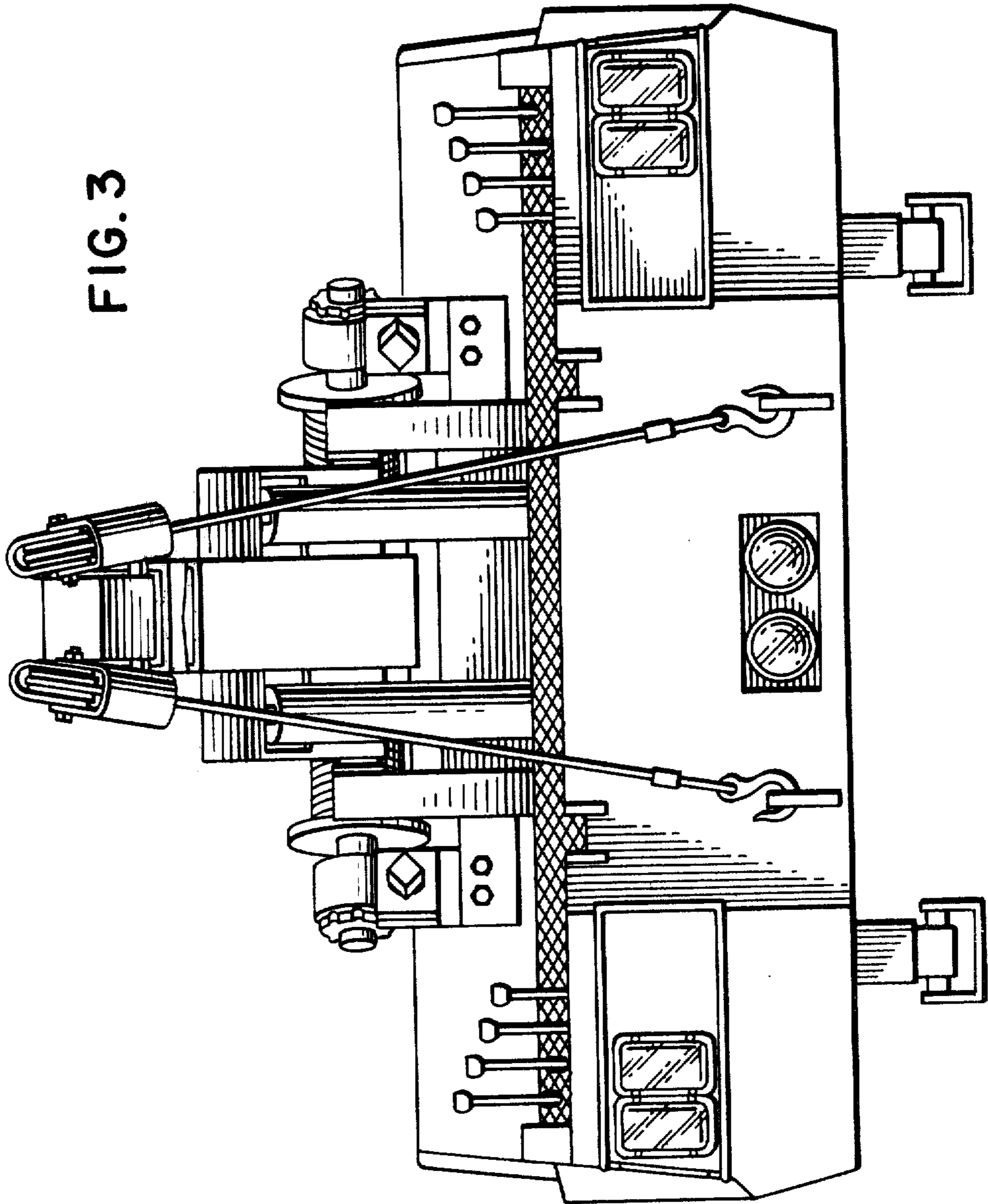


FIG. 4

