

[54] STORAGE CONTAINER FOR SMALL ARTICLES

[76] Inventor: **Frederic Baillod**, 1, Place du Tricentenaire, 2300 La Chaux-de-Fonds, Switzerland

[**] Term: **14 Years**

[21] Appl. No.: **239,656**

[22] Filed: **Feb. 27, 1981**

[51] Int. Cl. **D9—03**

[52] U.S. Cl. **D9/349**

[58] Field of Search **D9/341, 349, 352, 353, D9/355, 367, 390, 424; 215/1 R, 1 C; 34/40; D7/17, 23**

[56] **References Cited**

U.S. PATENT DOCUMENTS

D. 26,704	3/1897	Morningstar	D9/352
D. 100,353	7/1936	Mosheim	D9/349
D. 226,753	4/1973	Quintal	D9/352
D. 227,878	7/1973	Meyer	D9/353
D. 229,824	1/1974	Erickson	D9/355
D. 230,011	1/1974	Toland	D9/353
D. 236,585	9/1975	Tabor et al.	D9/341
D. 257,931	1/1981	Conti	D9/349 X

Primary Examiner—Robert C. Spangler
Attorney, Agent, or Firm—Young & Thompson

[57] **CLAIM**

The ornamental design for a storage container for small articles, as shown.

DESCRIPTION

FIG. 1 is a top perspective view of a storage container for small articles showing my new design;
FIG. 2 is a side elevational view thereof on a reduced scale; and
FIG. 3 is a bottom plan view thereof.

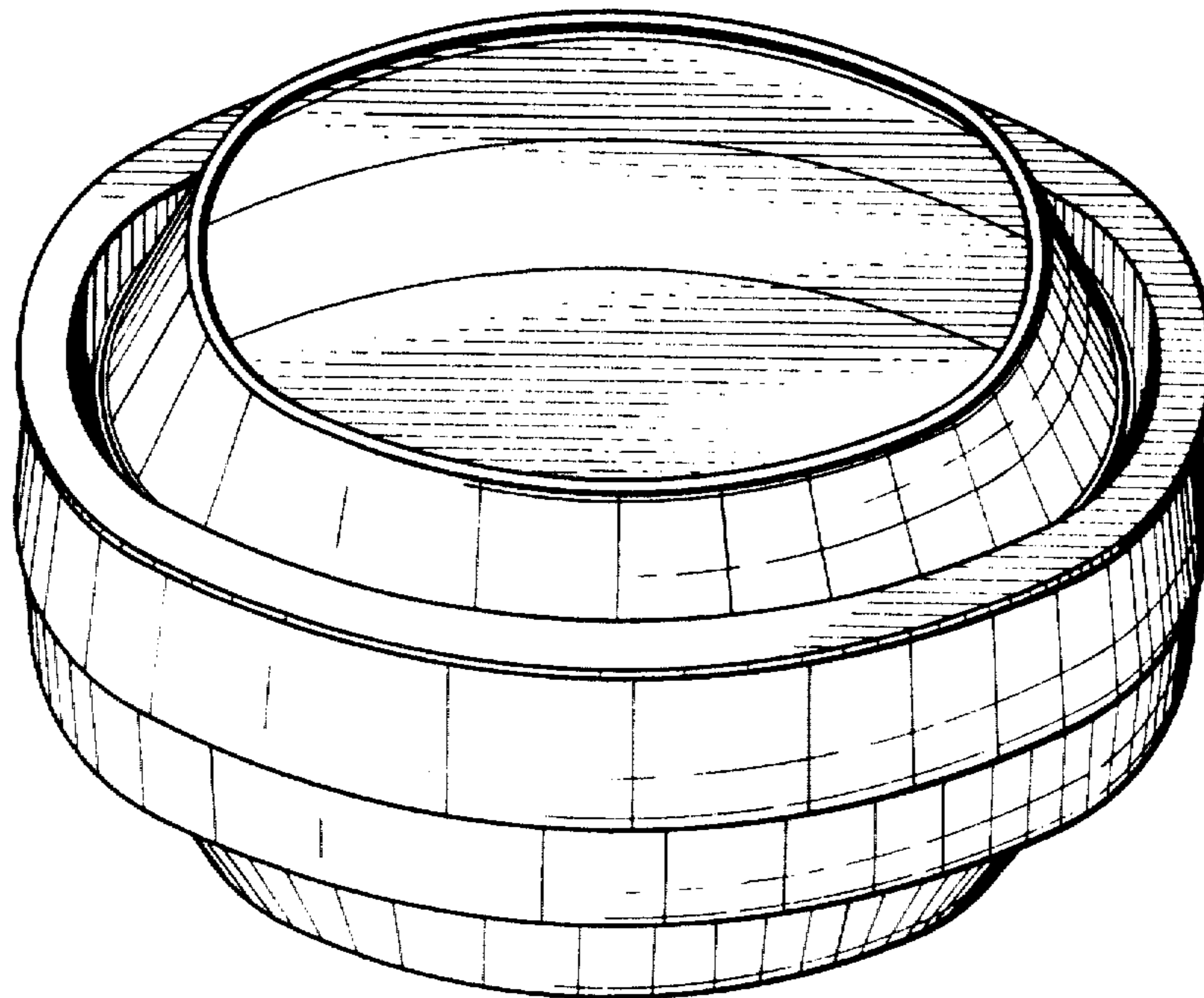


FIG. 1

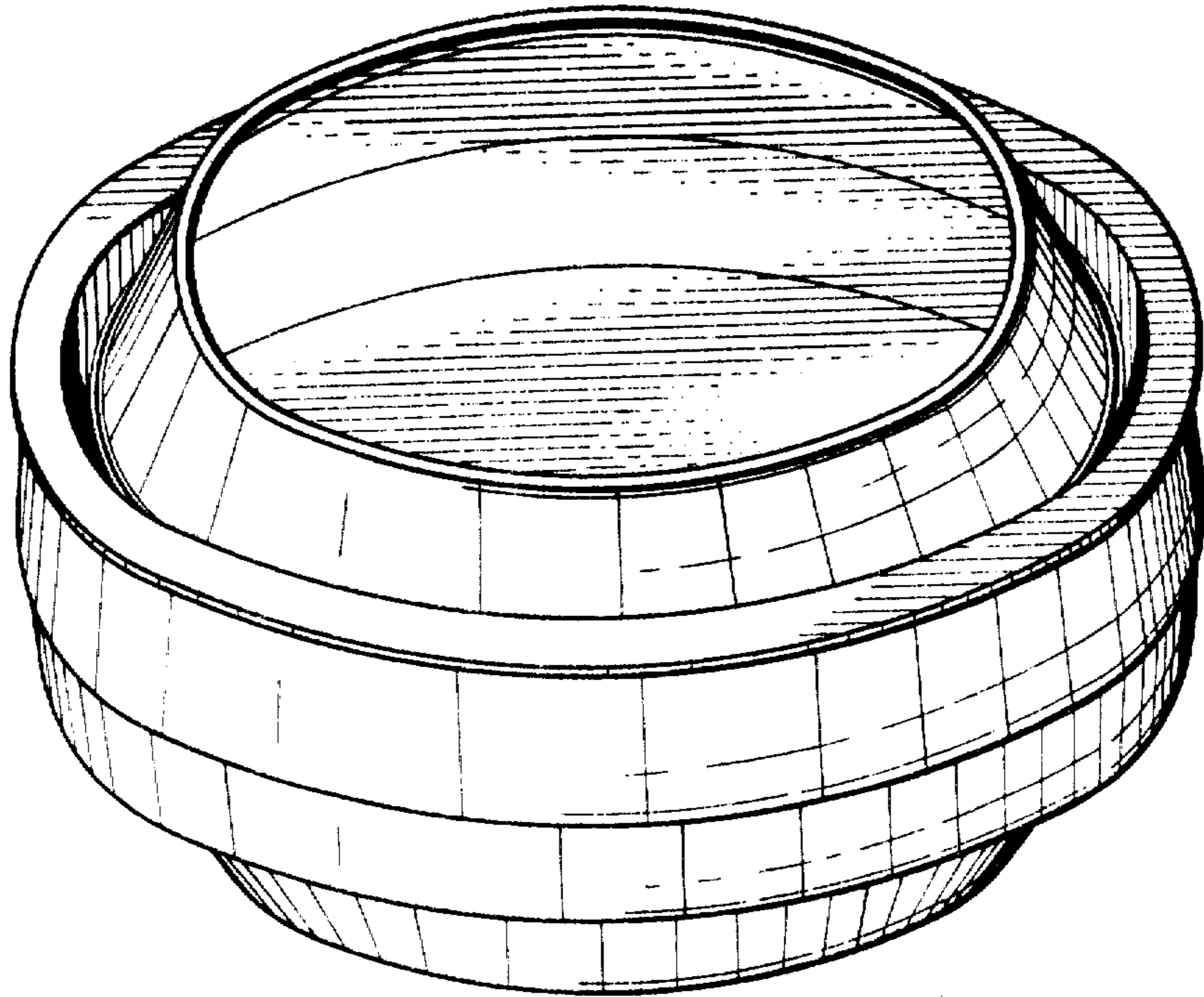


FIG. 2

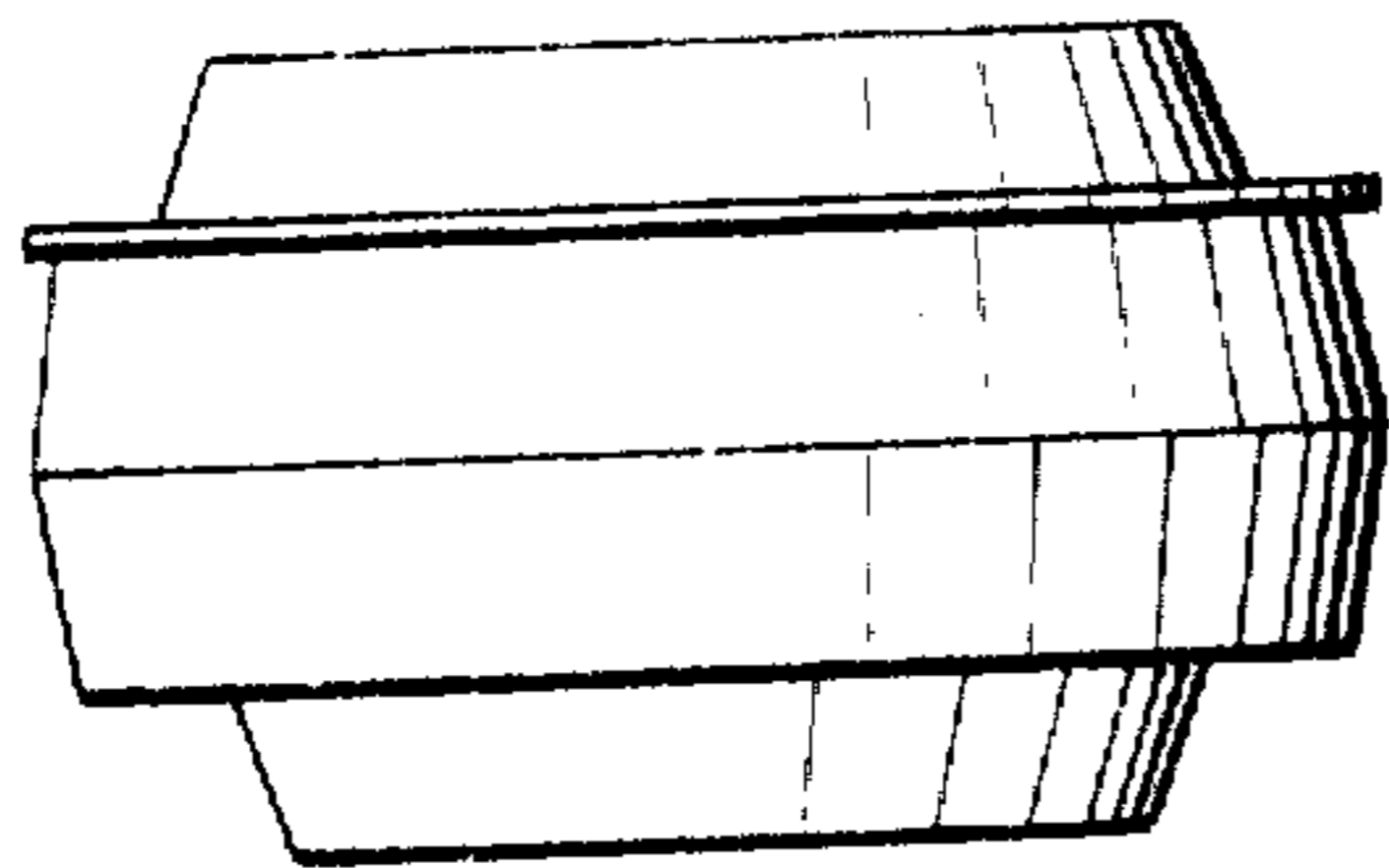


FIG. 3

