

[54] **SHINGLE STRIPPER**

[76] Inventor: **William R. Holloway**, 3046
Bloomington Ave. South,
Minneapolis, Minn. 55407

[**] Term: **14 Years**

[21] Appl. No.: **227,151**

[22] Filed: **Jan. 22, 1981**

[51] Int. Cl. **D8-05**

[52] U.S. Cl. **D8/89**

[58] Field of Search **D8/88, 89; 254/131.5,
254/131**

[56] **References Cited**

U.S. PATENT DOCUMENTS

| | | | | |
|------------|--------|-----------|-------|-------|
| D. 33,035 | 7/1900 | Hallock | | D8/88 |
| D. 211,755 | 7/1968 | Yeager | | D8/89 |
| D. 214,988 | 8/1969 | Isley | | D8/89 |
| D. 236,872 | 9/1975 | Froehlich | | D8/89 |

| | | | | |
|-----------|---------|--------------|-------|-------------|
| 1,559,976 | 11/1925 | Ness | | 254/131 |
| 2,680,003 | 6/1954 | Feinstein | | 254/131 |
| 3,049,337 | 8/1962 | Griggs | | 254/131 |
| 4,203,210 | 5/1980 | Hadlick, Jr. | | 254/131.5 X |

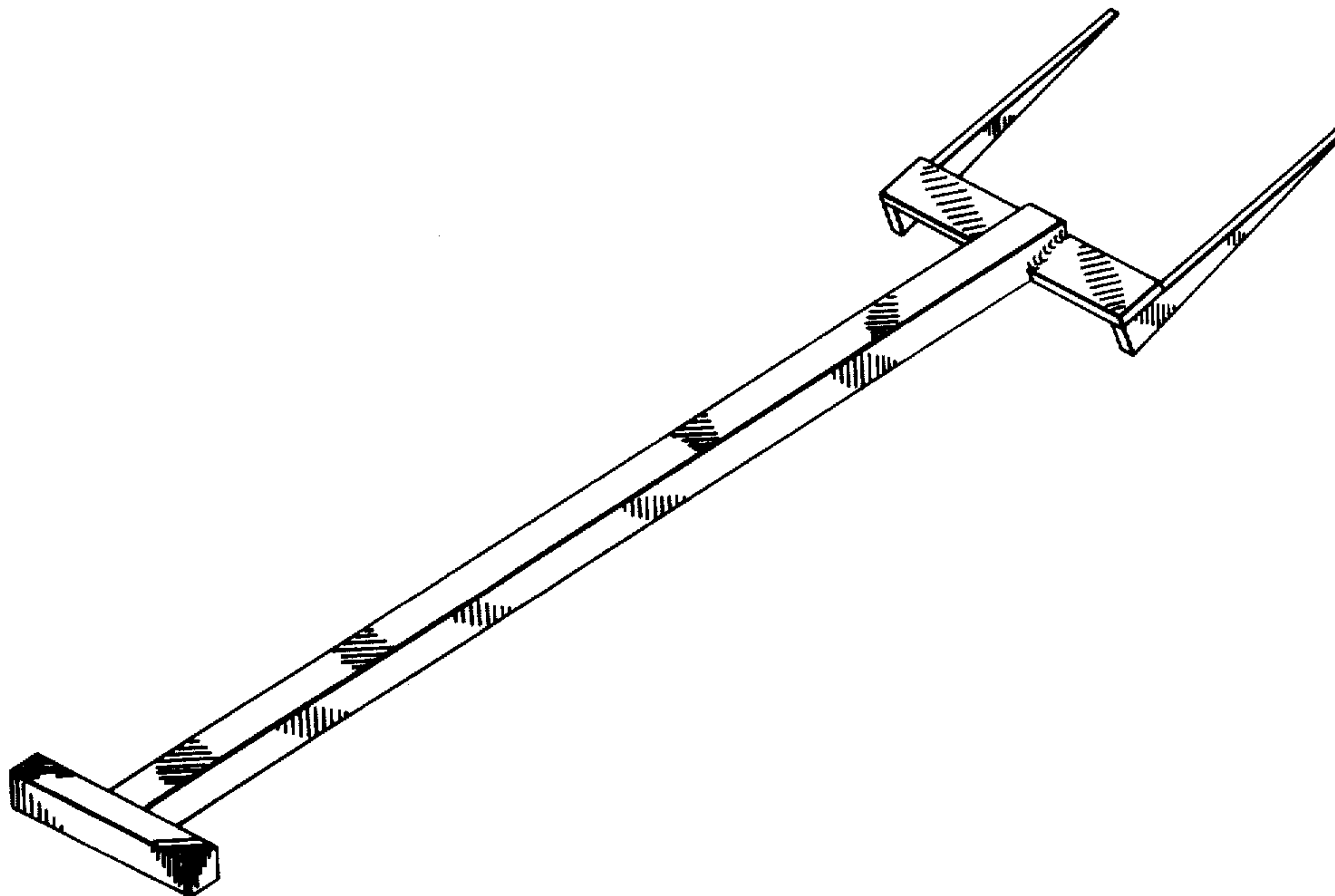
Primary Examiner—Alan P. Douglas
Attorney, Agent, or Firm—James R. Haller

[57] **CLAIM**

The ornamental design for a shingle stripper, as shown and described.

DESCRIPTION

FIG. 1 is a perspective view of a shingle stripper of the invention;
FIG. 2 is a side view thereof, the opposed side view being a mirror image;
FIG. 3 is a top view thereof;
FIG. 4 is a bottom view thereof;
FIG. 5 is an end view thereof taken from the right end of FIG. 4; and
FIG. 6 is an end view thereof taken from the left end of FIG. 4.



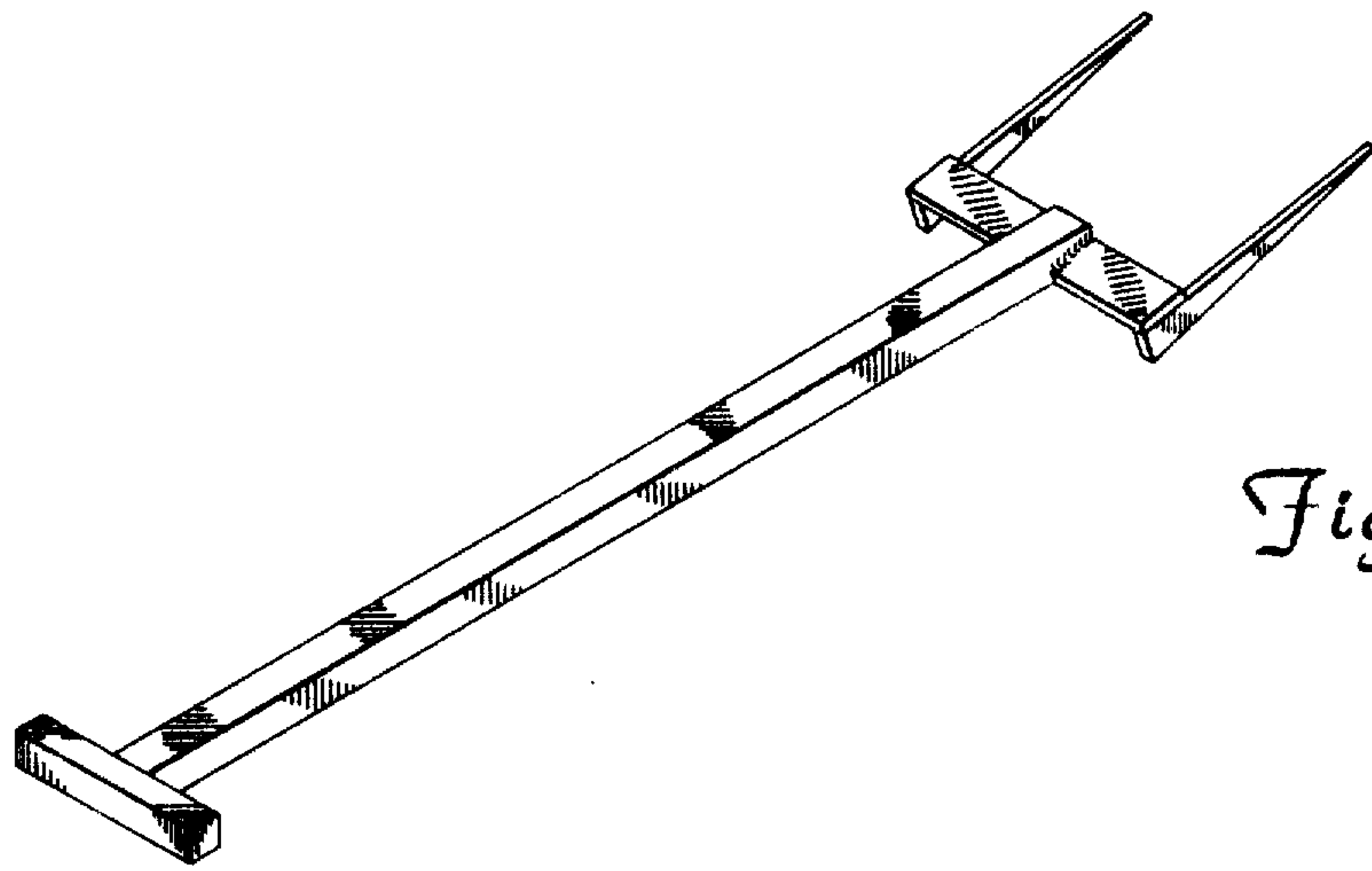


Fig. 1

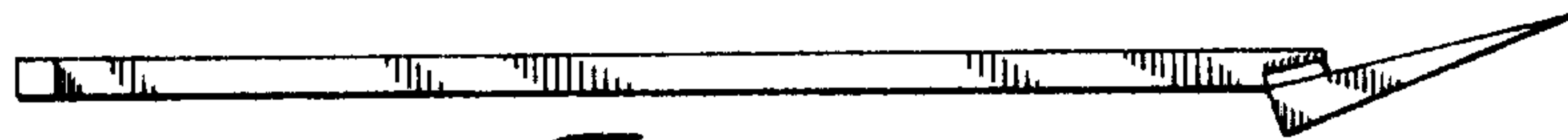


Fig. 2

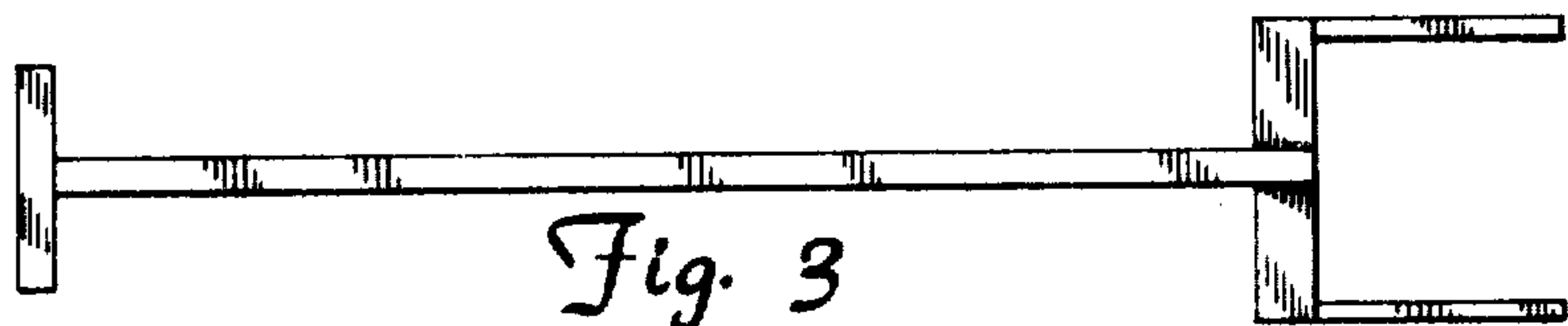


Fig. 3

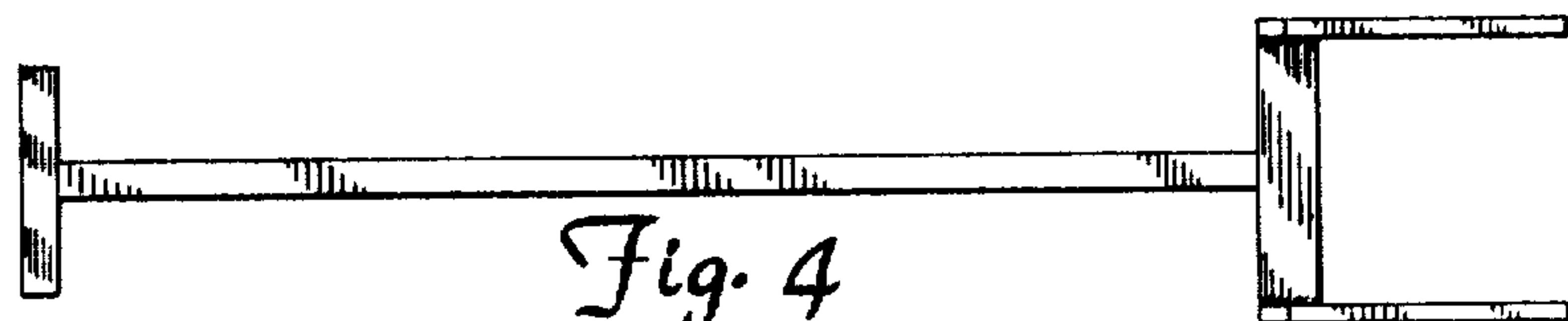


Fig. 4



Fig. 5



Fig. 6