

[54] TRAY FOR MICROWAVE STEAMING UTENSIL

[75] Inventors: Robert F. Bowen, Burlington, Mass.; Walter B. Herbst, Evanston; Thomas E. Salisbury, Highland Park, both of Ill.

[73] Assignee: Raytheon Company, Lexington, Mass.

[\*\*] Term: 14 Years

[21] Appl. No.: 270,045

[22] Filed: Jun. 3, 1981

[51] Int. Cl. .... D07-02

[52] U.S. Cl. .... D7/409; D7/360

[58] Field of Search .... D7/37, 38, 402, 409, D7/388, 360, 21, 323, 354, 357, 359; D34/40, 43, 45, 46

[56] References Cited

U.S. PATENT DOCUMENTS

D. 34,725	7/1901	Harrington	.....	D7/409
D. 154,195	6/1949	Beck	.....	D7/360 X
D. 246,883	1/1978	Di Ruscio	.....	D7/388
3,941,968	3/1976	MacMaster et al.	.....	D7/409 X

OTHER PUBLICATIONS

*Gifts & Decorative Accessories*, Aug. 1977, p. 111, Midnight Trays, Tray at bottom & middle R.

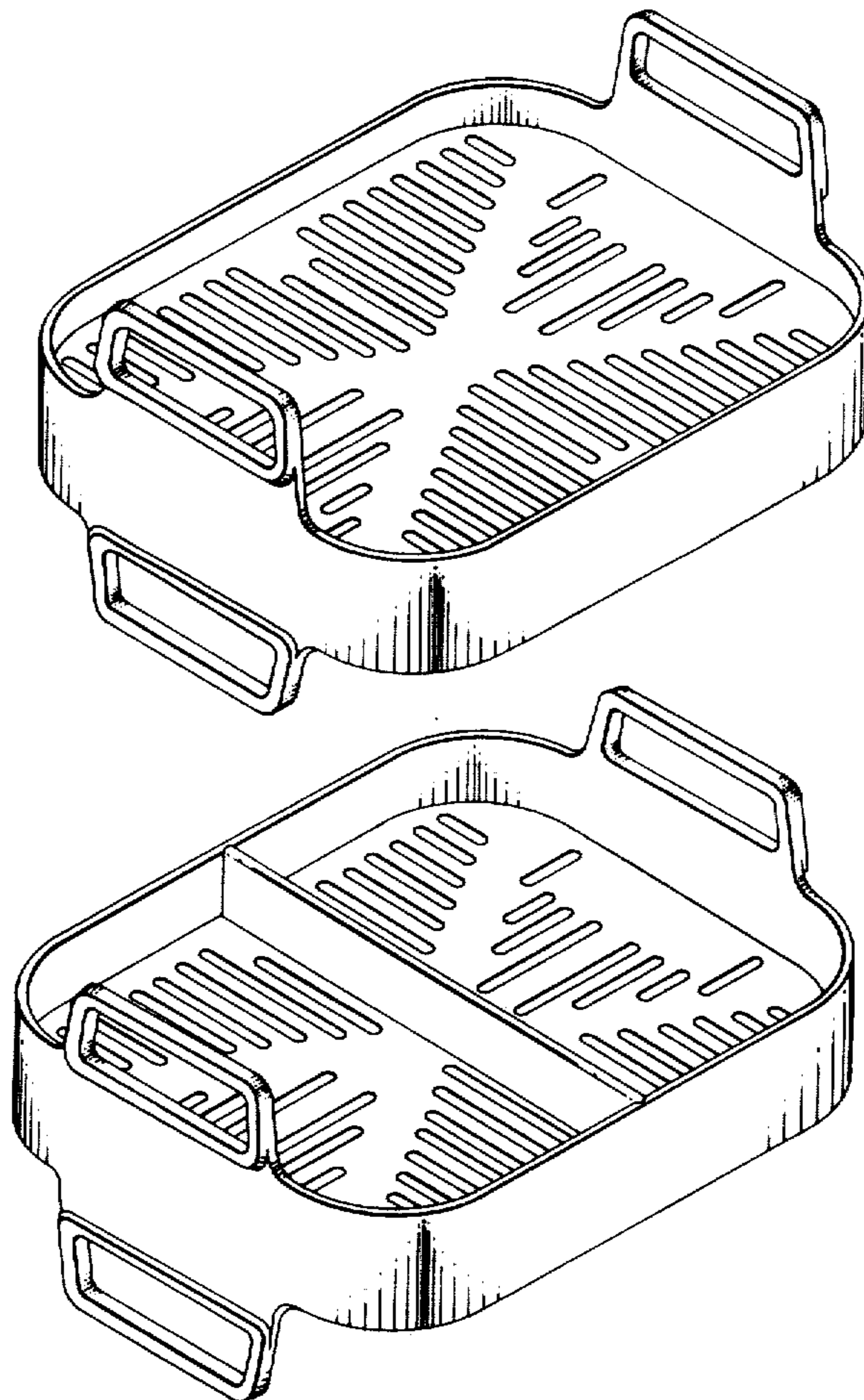
Primary Examiner—Winifred E. Herrmann  
Attorney, Agent, or Firm—William R. Clark; Joseph D. Pannone

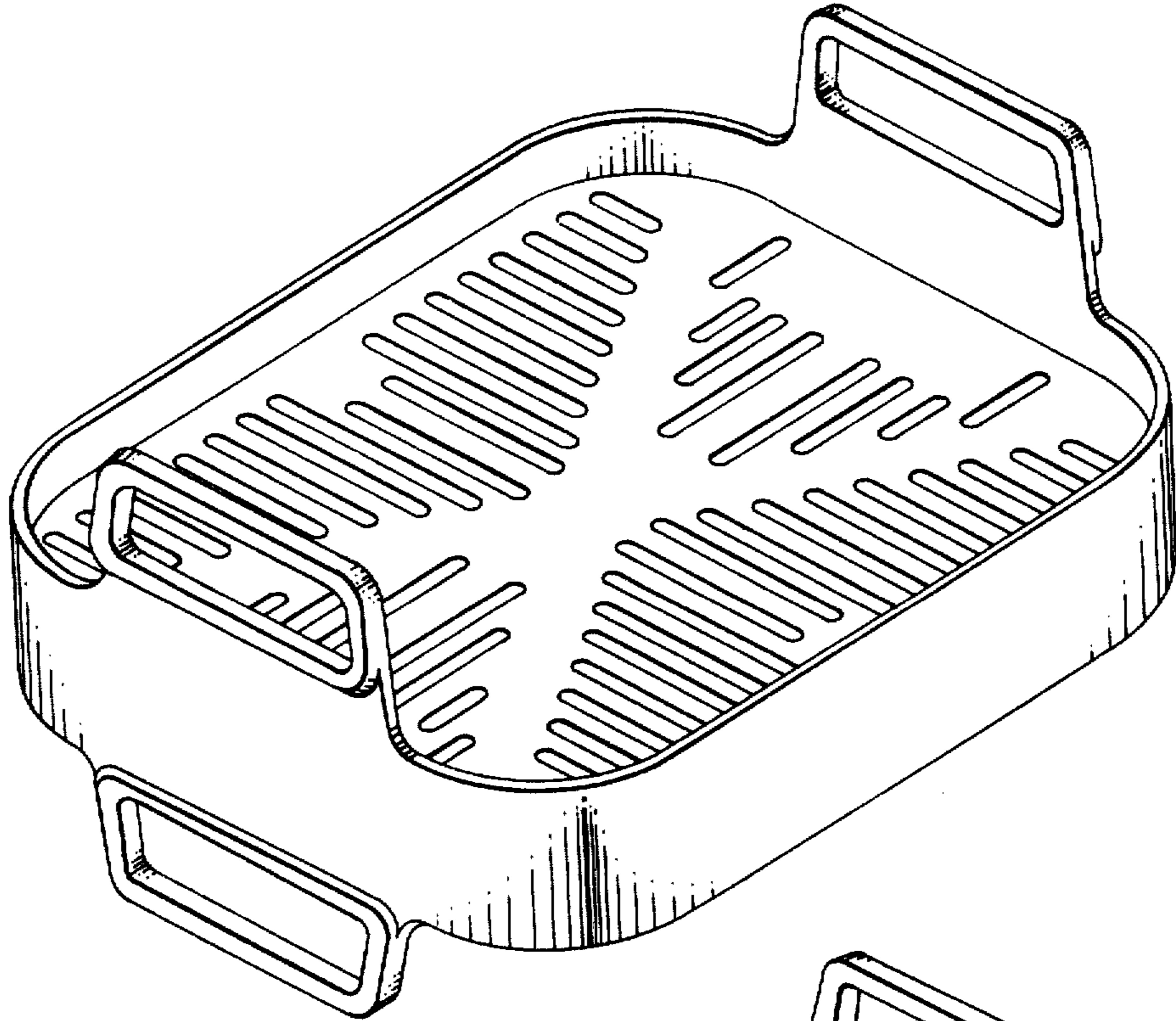
[57] CLAIM

The ornamental design for a tray for a microwave steaming utensil, as shown and described.

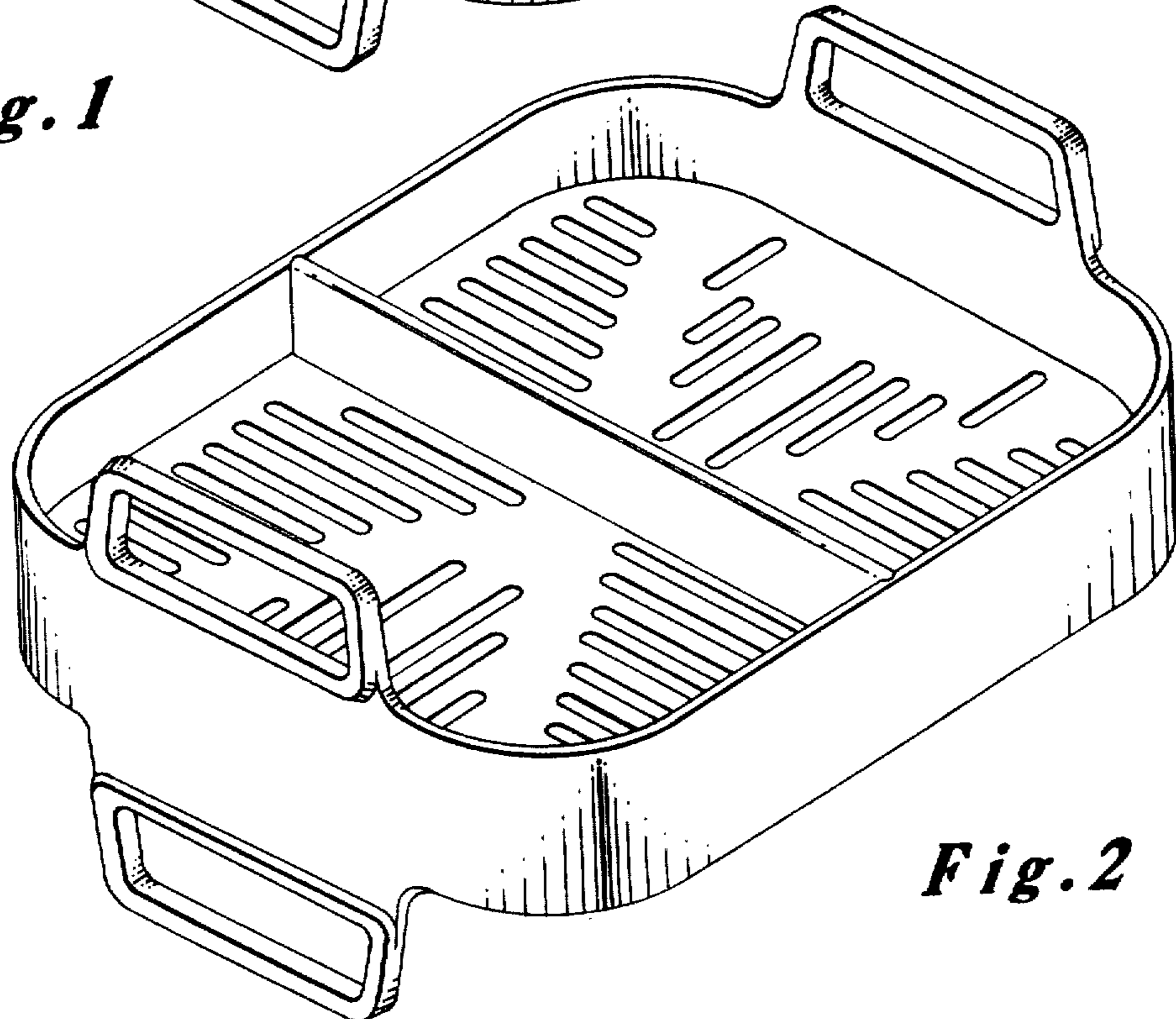
DESCRIPTION

FIG. 1 is a top front perspective view of a tray for a microwave steaming utensil showing our new design; FIG. 2 is a bottom rear perspective view; FIG. 3 is a top view; FIG. 4 is a bottom plan view; FIG. 5 is a front elevational view; and FIG. 6 is a side elevational view thereof.

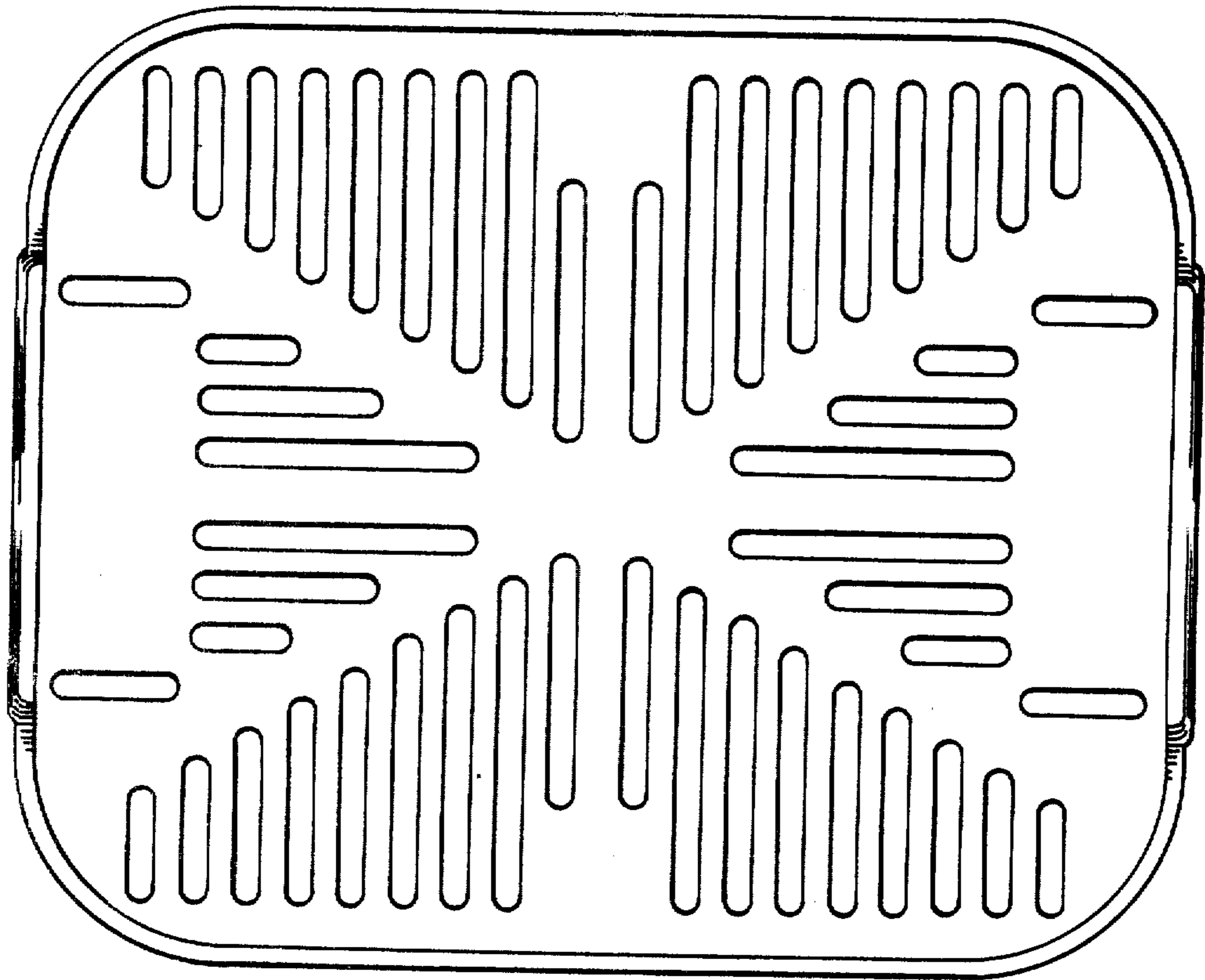




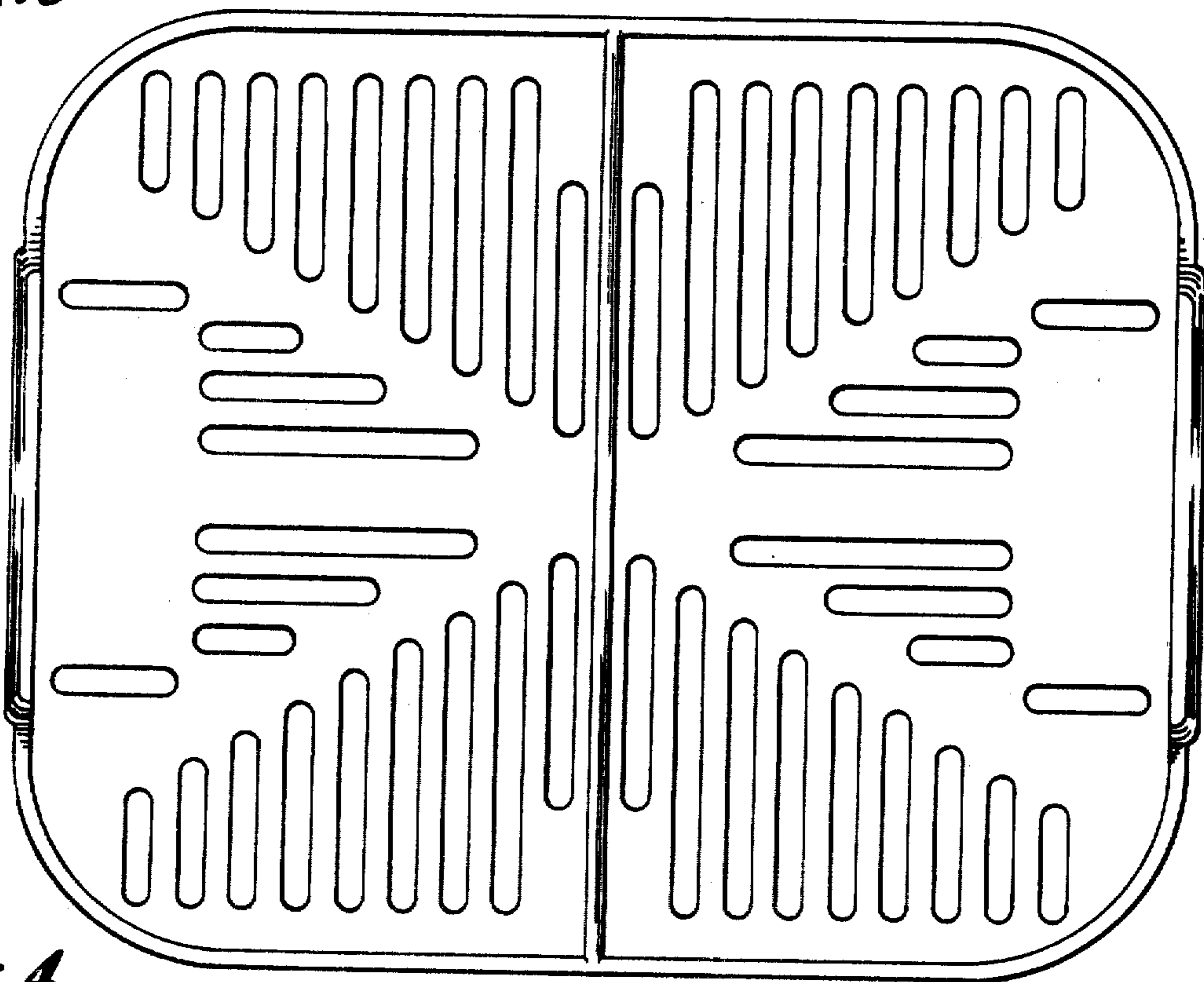
**Fig. 1**



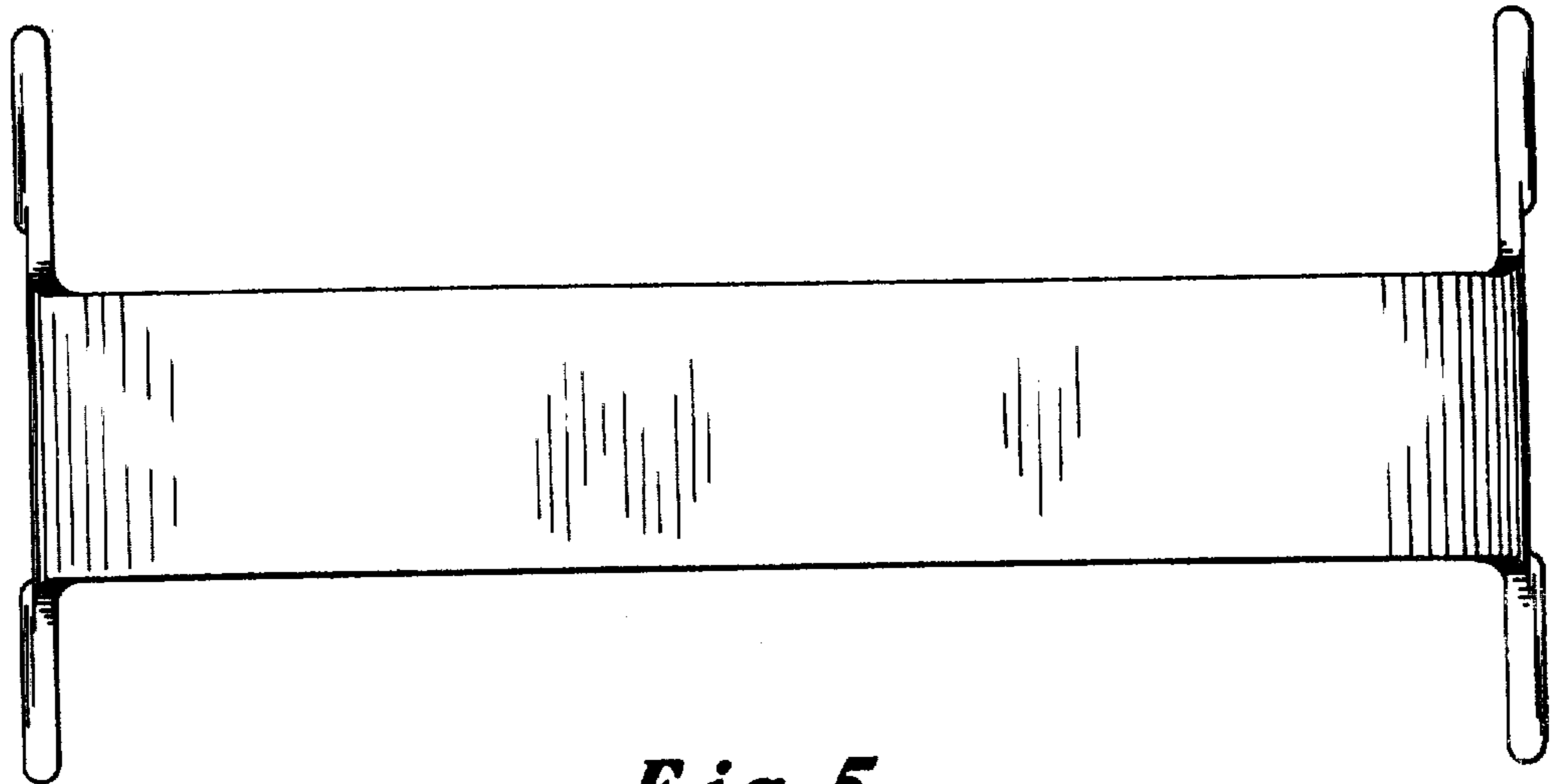
**Fig. 2**



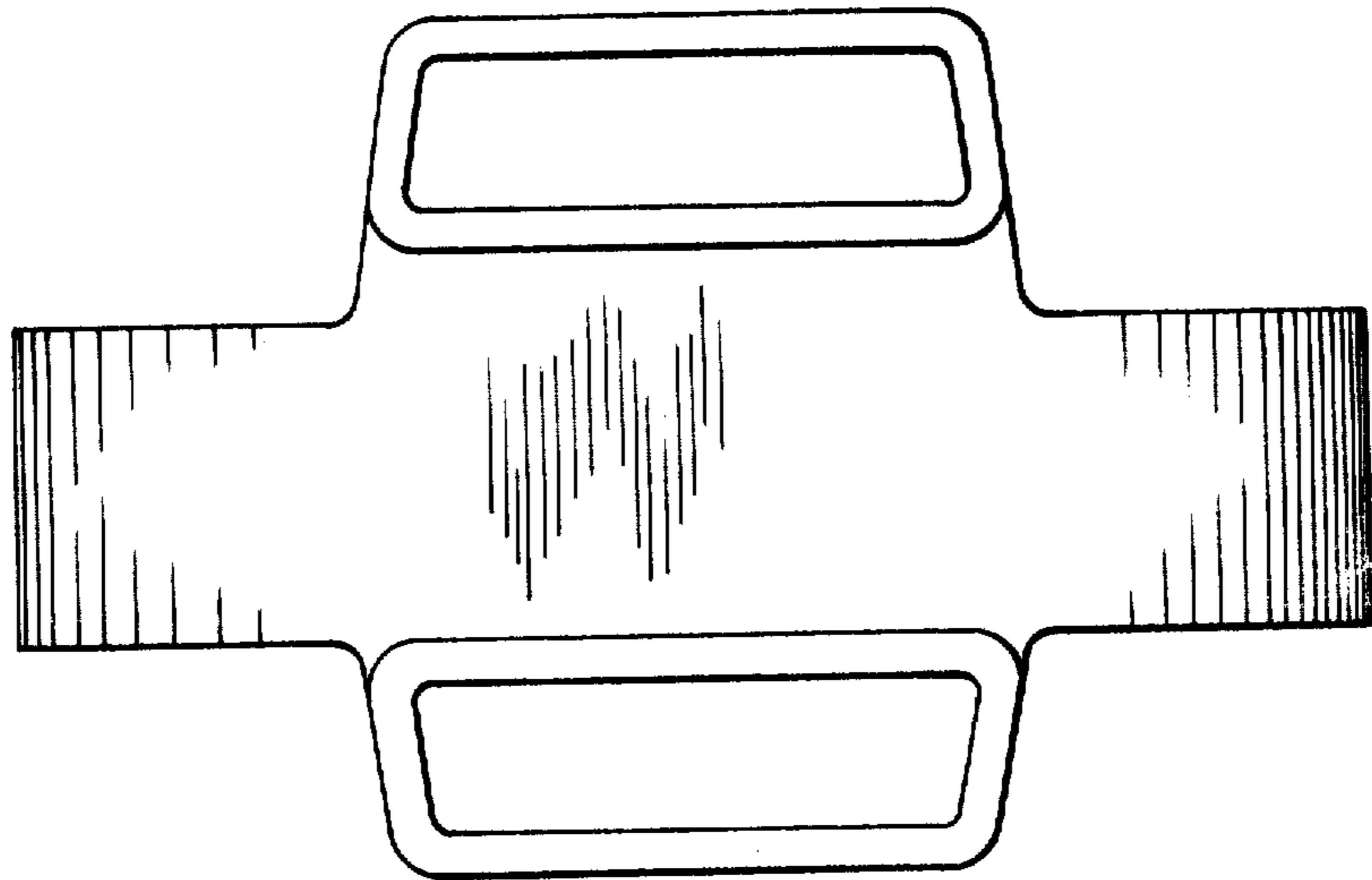
**Fig. 3**



**Fig. 4**



*Fig. 5*



*Fig. 6*