

[54] **CORNER JUNCTION ELEMENT**

[76] Inventor: **Ake A. Hultberg**, Stallarholmsvägen
2, S-150 30 Mariefred, Sweden

[**] Term: **14 Years**

[21] Appl. No.: **142,064**

[22] Filed: **Apr. 18, 1980**

[30] **Foreign Application Priority Data**

Nov. 14, 1979 [SE] Sweden 79-2508

[51] Int. Cl. **D6-07**

[52] U.S. Cl. **D6/246; D8/382**

[58] Field of Search **D6/242, 246, 232;**
52/36, 239, 241, 656; 40/152; **D25/73, 74, 75,**
76; 403/295, 297, 40; **D8/354, 382**

[56] **References Cited**

U.S. PATENT DOCUMENTS

3,503,639	3/1970	Taylor	403/295 X
3,782,054	1/1974	Goss, Jr.	40/152 X
3,811,214	5/1974	Tate	40/152
3,883,974	5/1975	Ashton	40/152
3,955,298	5/1976	Kapstad	40/152
4,090,799	5/1978	Crotti et al.	40/152 X

4,124,322 11/1978 Parisien 40/152 X

Primary Examiner—A. Hugo Word
Attorney, Agent, or Firm—Lerner, David, Littenberg & Samuel

[57] **CLAIM**

The ornamental design for a corner junction element, substantially as shown and described.

DESCRIPTION

FIG. 1 is a side, perspective view of a corner junction element with removable ear showing my design;

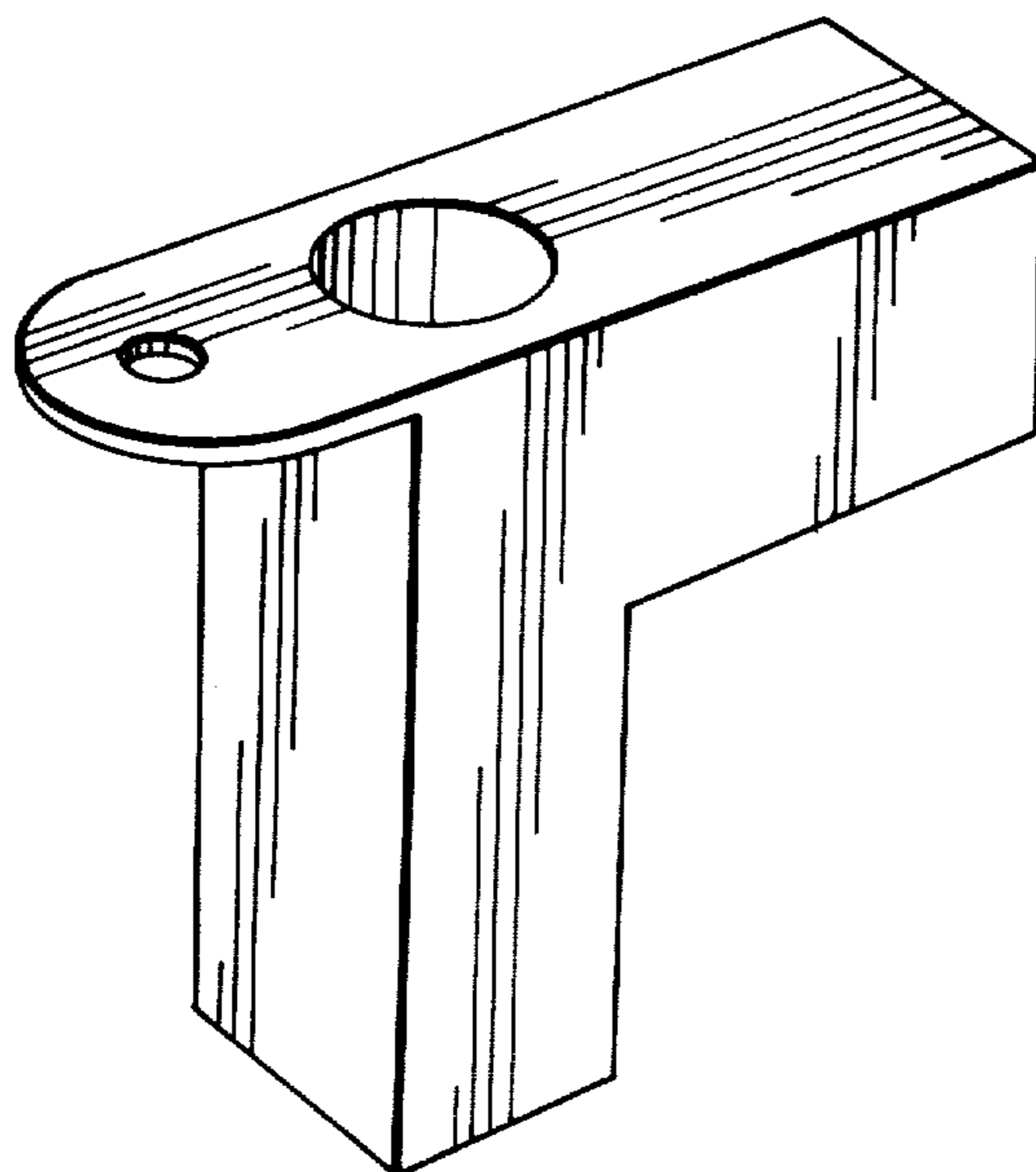
FIG. 2 is a side, perspective view of the corner junction element according to FIG. 1 shown from the opposite side;

FIG. 3 is a side, perspective view of the corner junction element according to FIG. 1 with removed ear;

FIG. 4 is a side, perspective view of the corner junction element according to FIG. 3 shown from the opposite side;

FIG. 5 is a side, perspective view of a corner junction element according to a modified embodiment of my design; and

FIG. 6 is a side, perspective view of the corner junction element according to FIG. 5 shown from the opposite side.



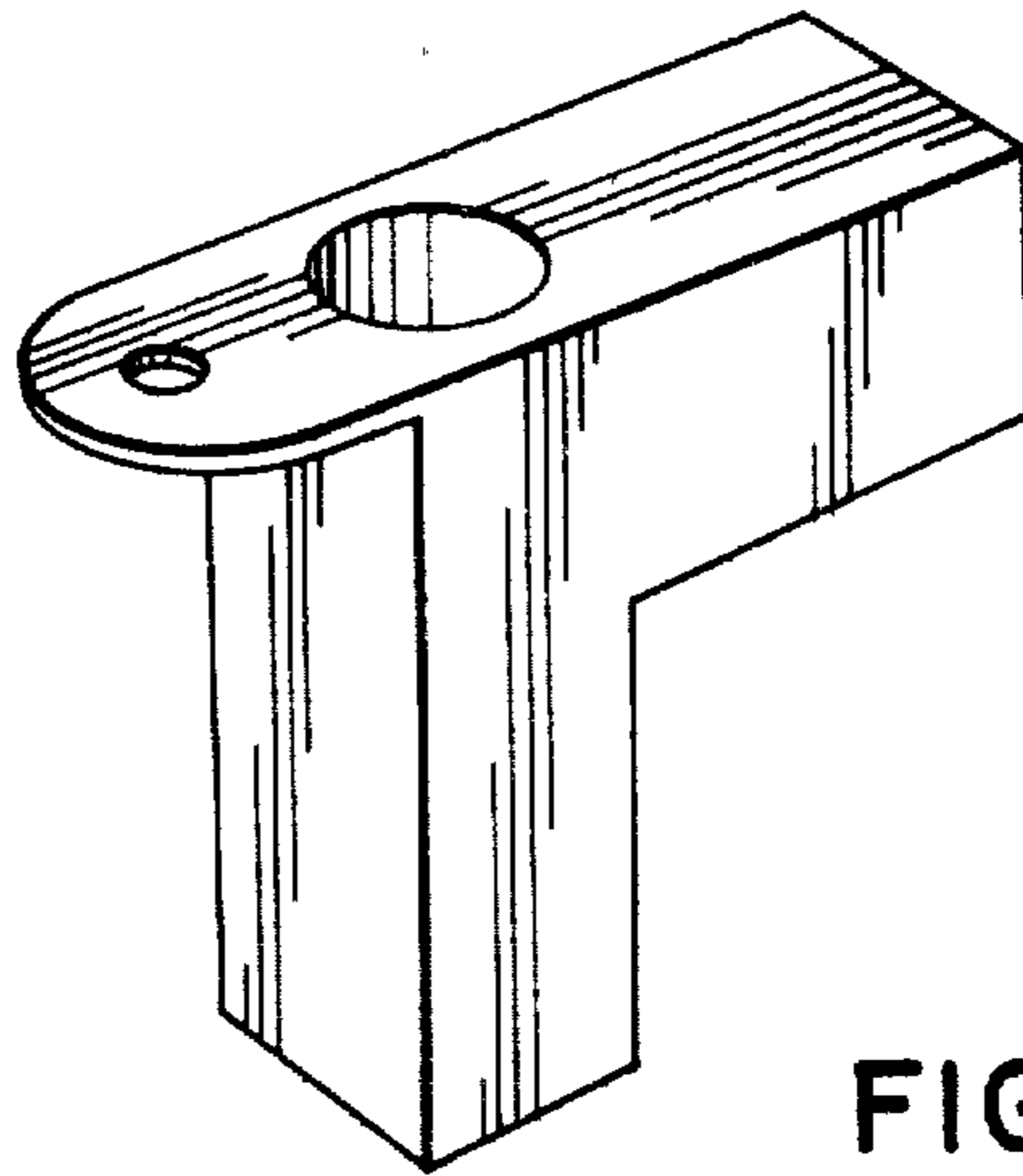


FIG. 1

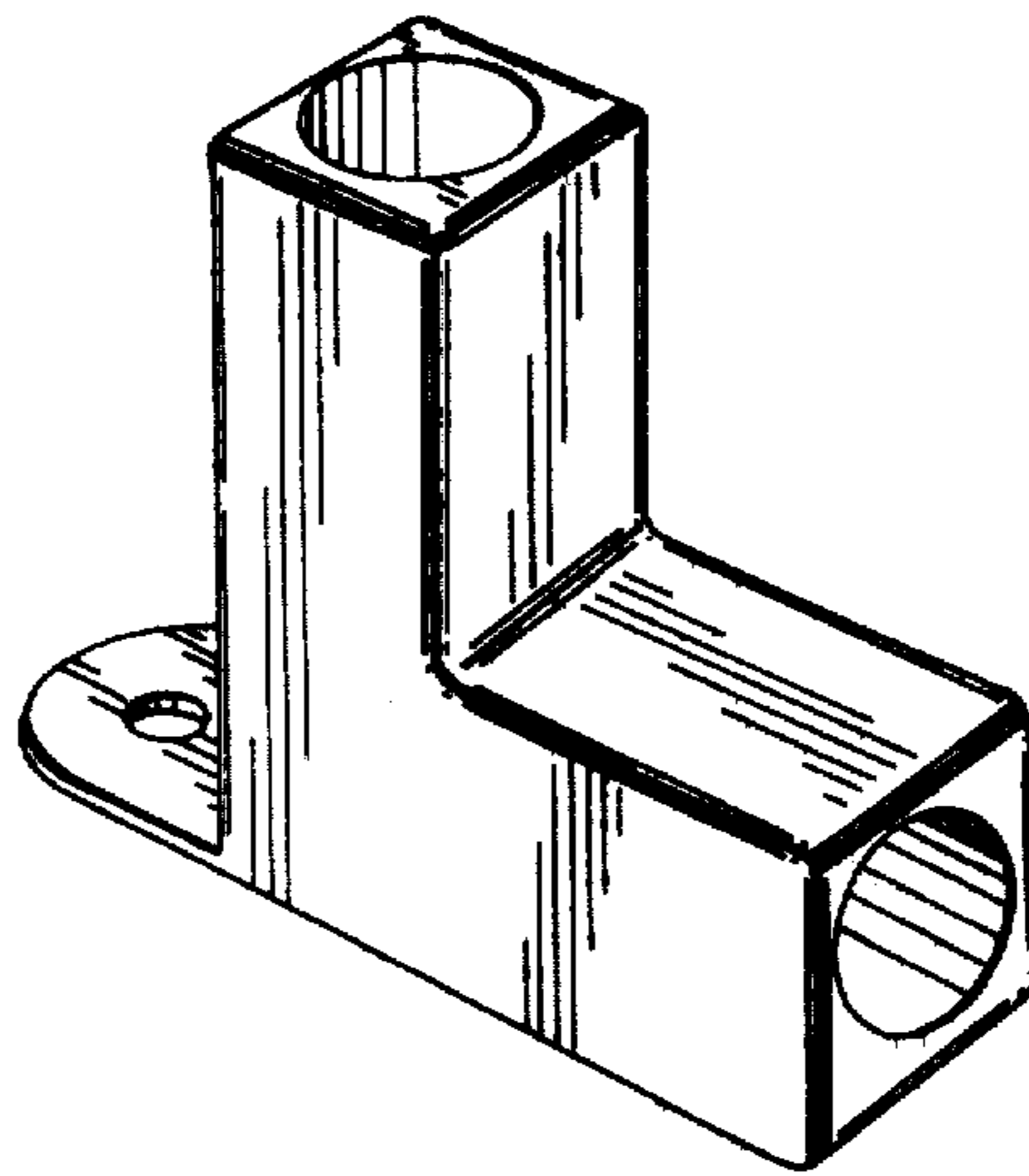


FIG. 2

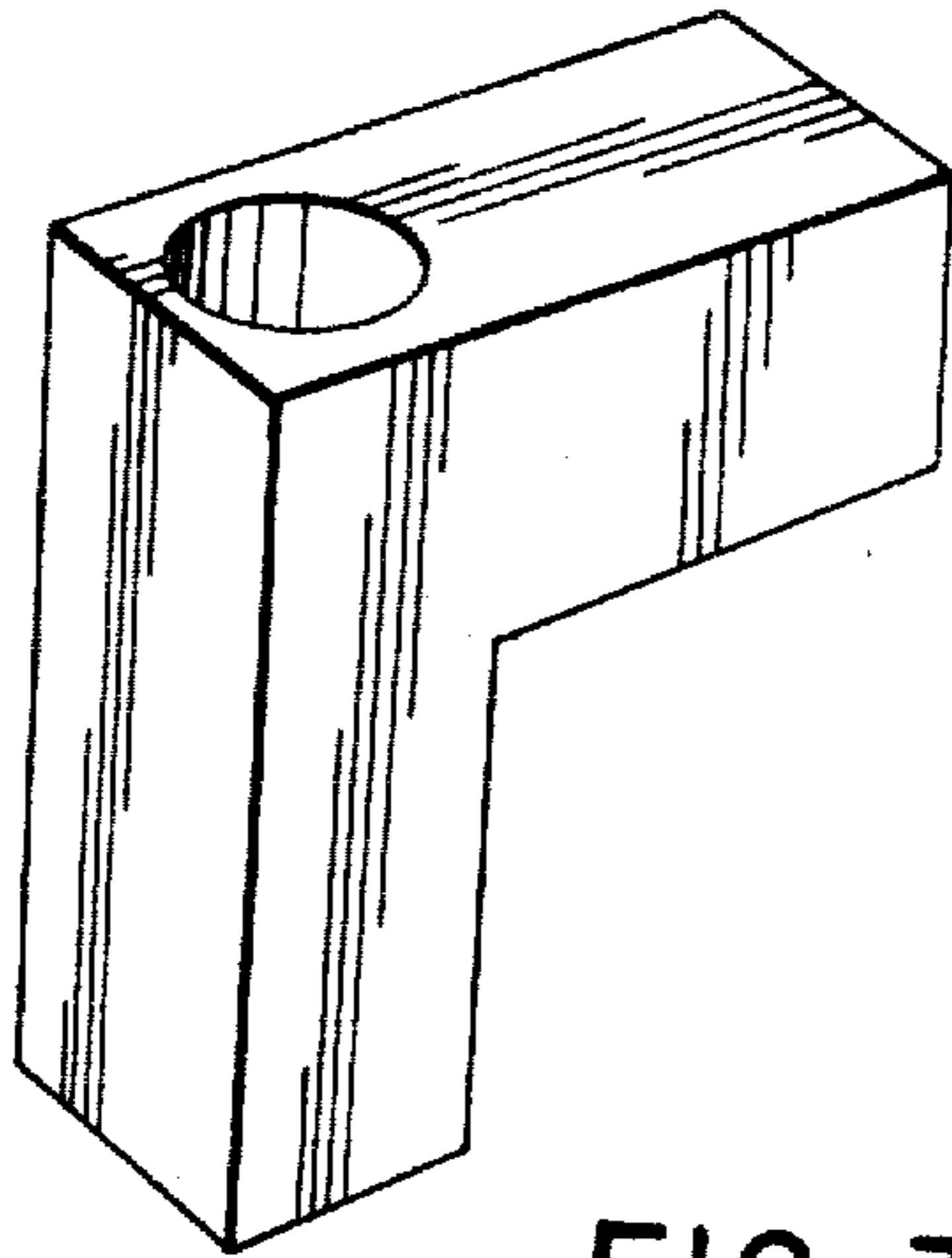


FIG. 3

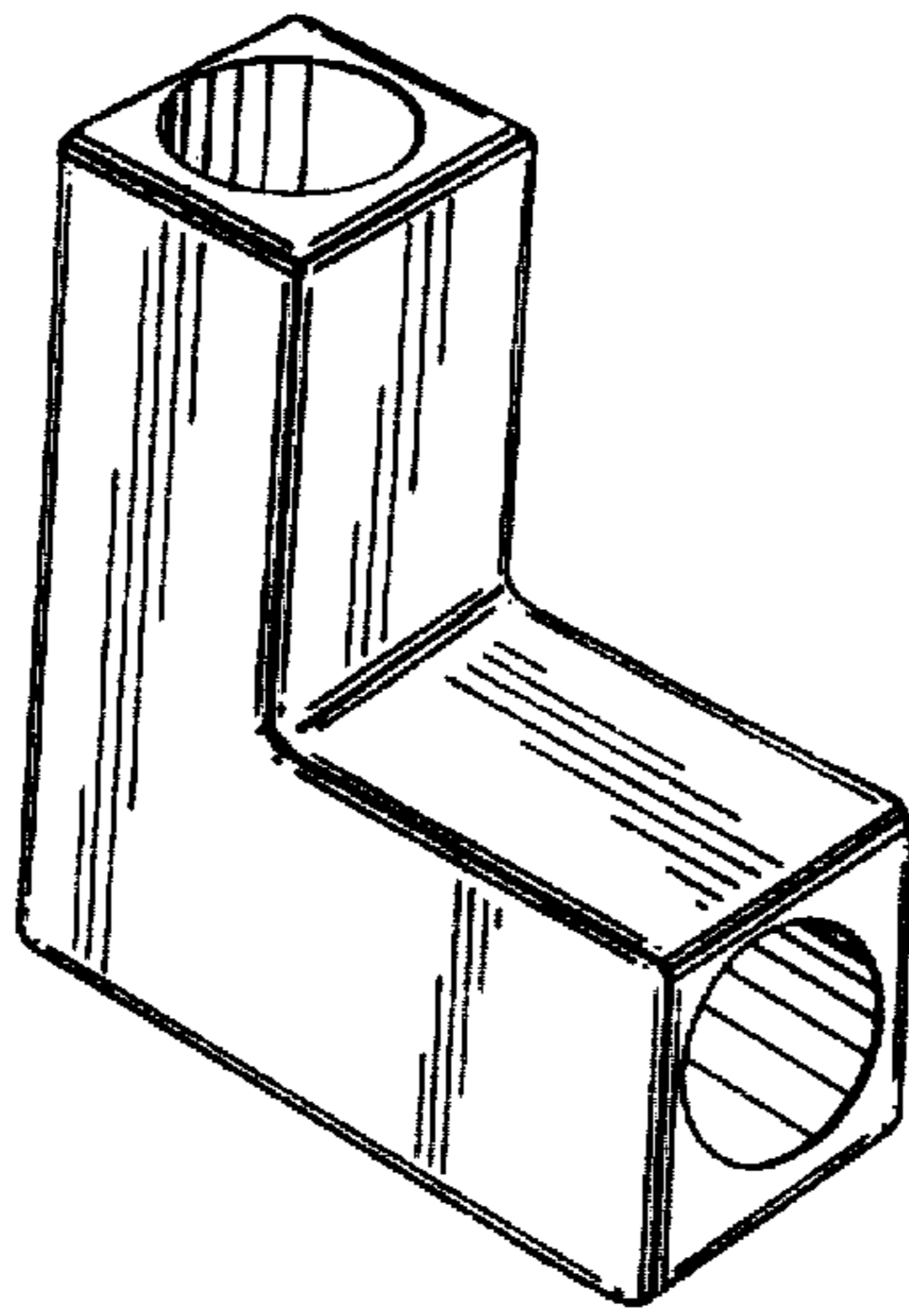


FIG. 4

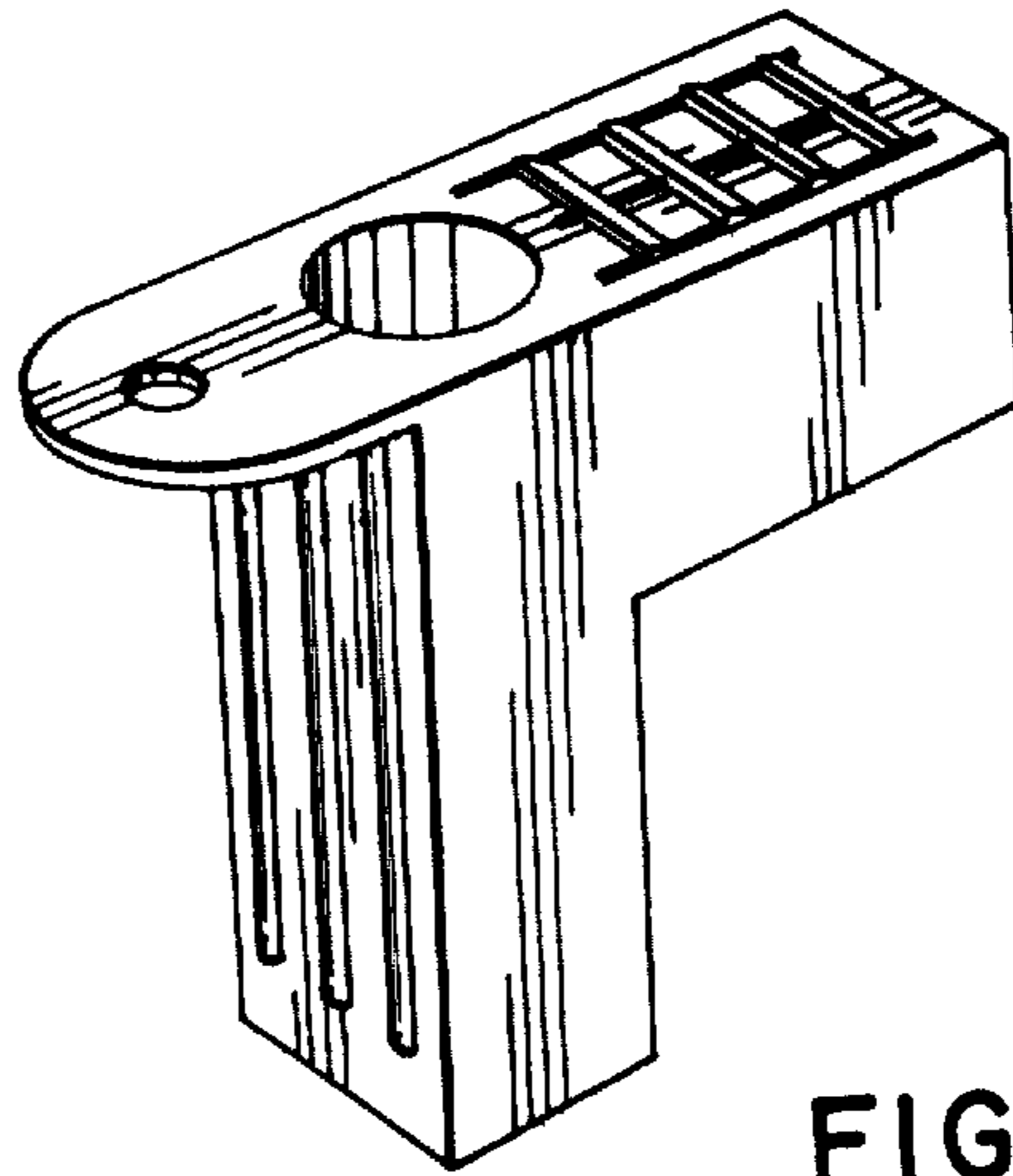


FIG. 5

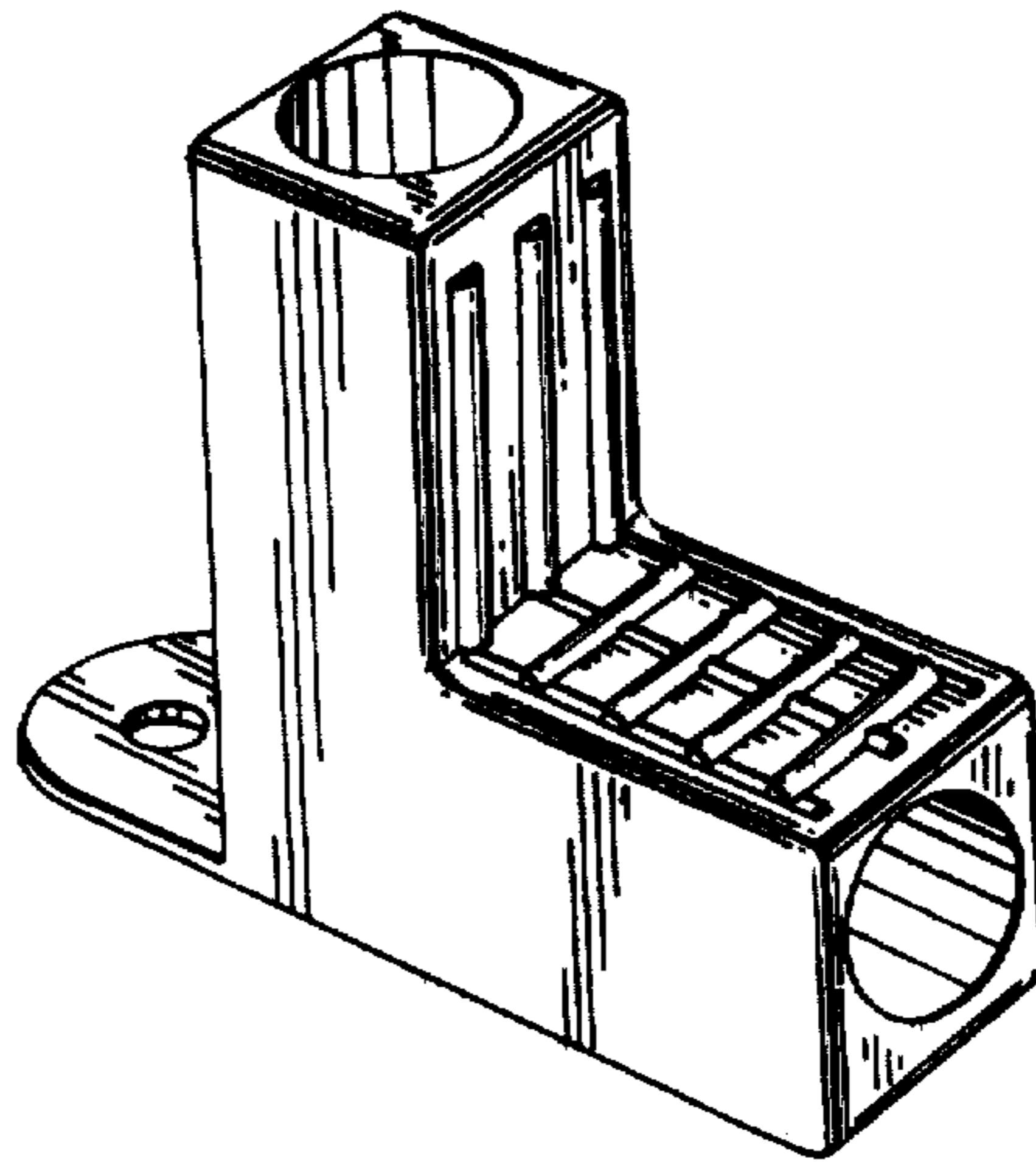


FIG. 6