

[54] DISPLAY UNIT

3,834,324 9/1974 Lang 108/91
3,927,625 12/1975 Lang 108/91
4,072,235 2/1978 Munoz 211/194

[75] Inventor: Marvin Zaro, New York, N.Y.

[73] Assignee: Advertising Displays Company,
Englewood Cliffs, N.J.

Primary Examiner—B. J. Bullock
Attorney, Agent, or Firm—Hayes, Davis & Soloway

[**] Term: 14 Years

[57] CLAIM

[21] Appl. No.: 165,168

The ornamental design for a display unit, as shown and described.

[22] Filed: Jul. 1, 1980

DESCRIPTION

[51] Int. Cl. D20-02

[52] U.S. Cl. D6/181; D6/85;
D6/186

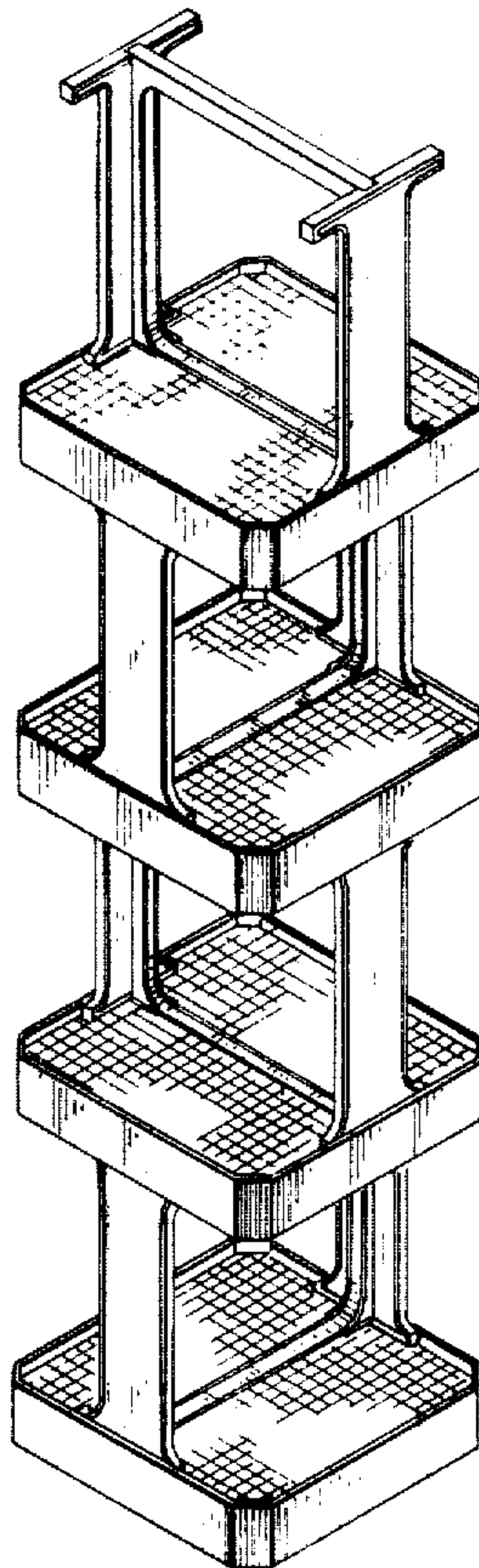
[58] Field of Search D6/85, 23, 181, 186,
D6/191, 192, 199; 108/59, 91, 111; 2/153, 188,
194

FIG. 1 is an end elevational view of a display unit showing my new design, both ends being identical;
FIG. 2 is a front elevational view thereof, the rear being identical;
FIG. 3 is a top plan view thereof;
FIG. 4 is a bottom plan view thereof;
FIG. 5 is a second embodiment of the design of FIG. 1, showing the display unit in a modular arrangement;
FIG. 6 is a third embodiment of the design of FIG. 1, again showing the display unit in a different arrangement.

[56] References Cited

U.S. PATENT DOCUMENTS

D. 207,756 5/1967 Cohen D6/192
D. 234,894 4/1975 Vandenbeuck D6/186



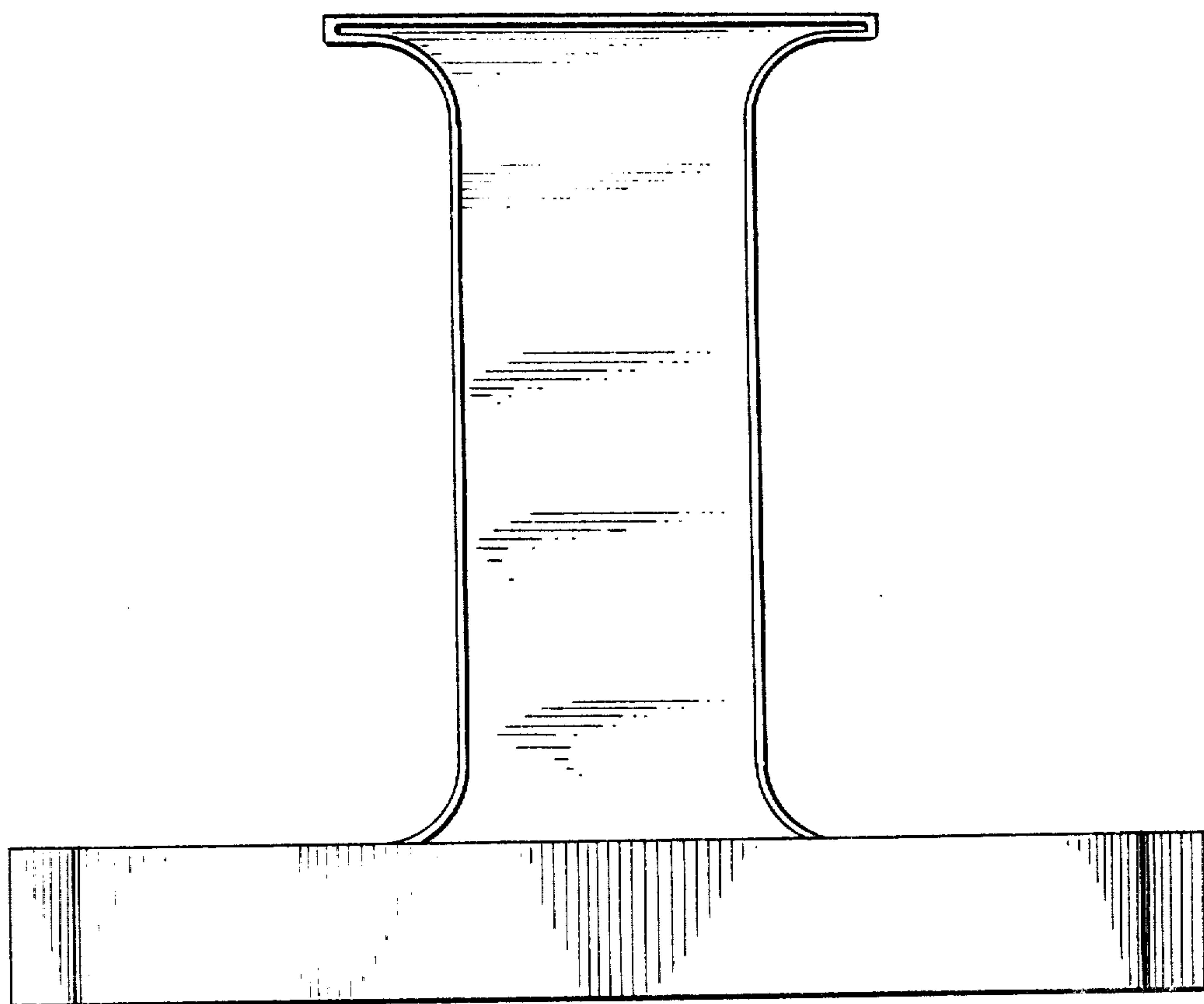


FIG. 1

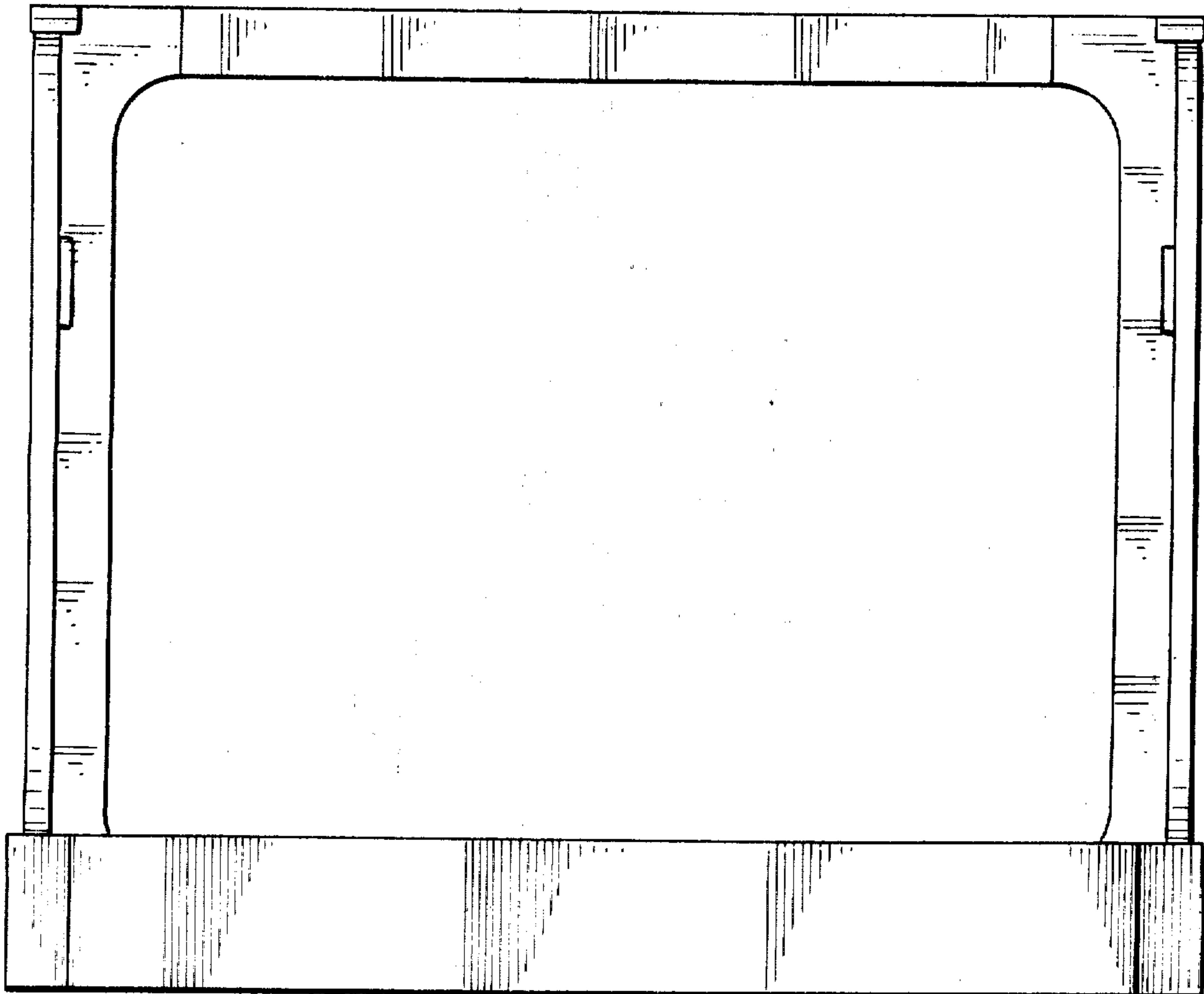


FIG. 2

FIG. 3

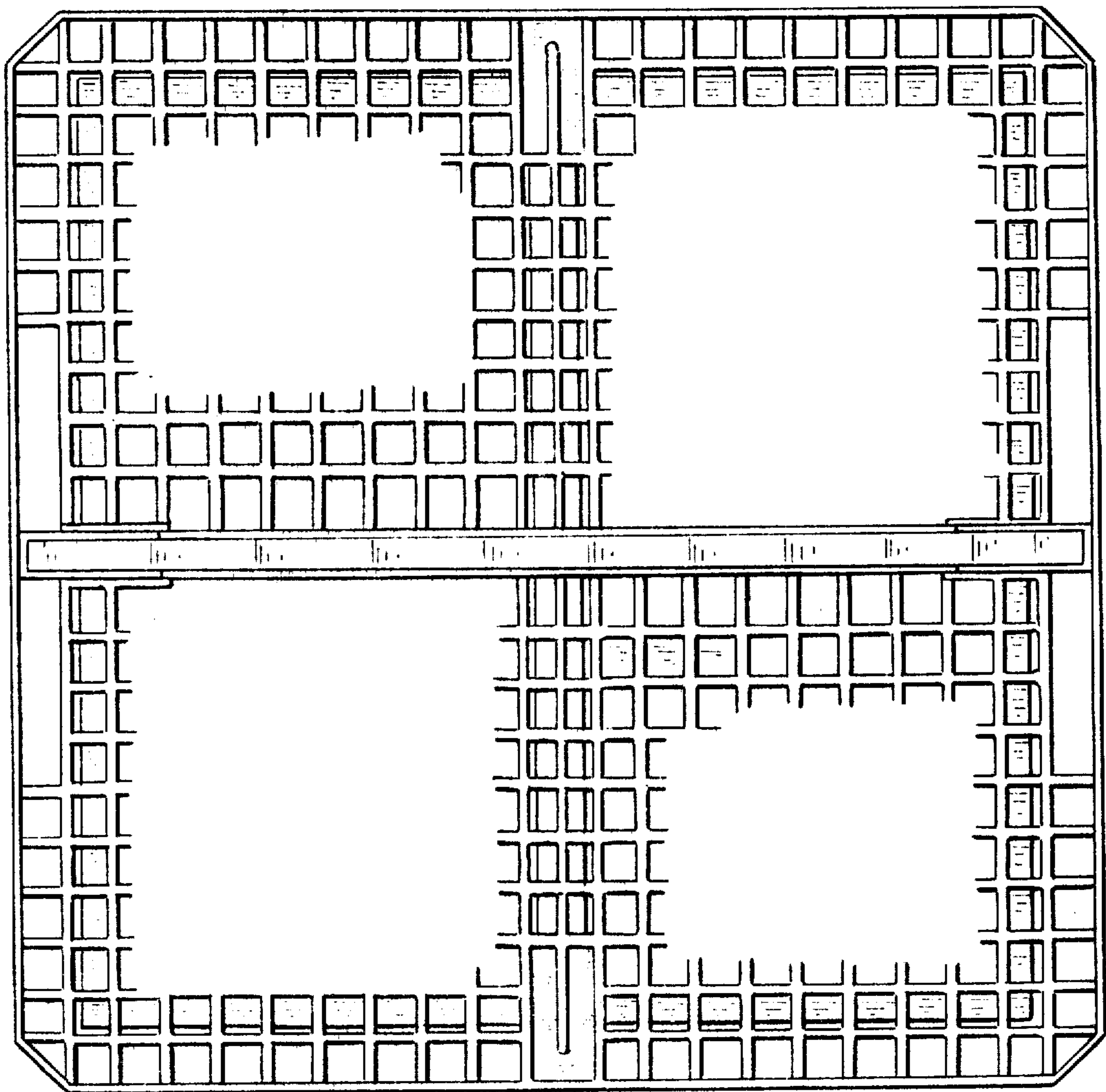


FIG. 4

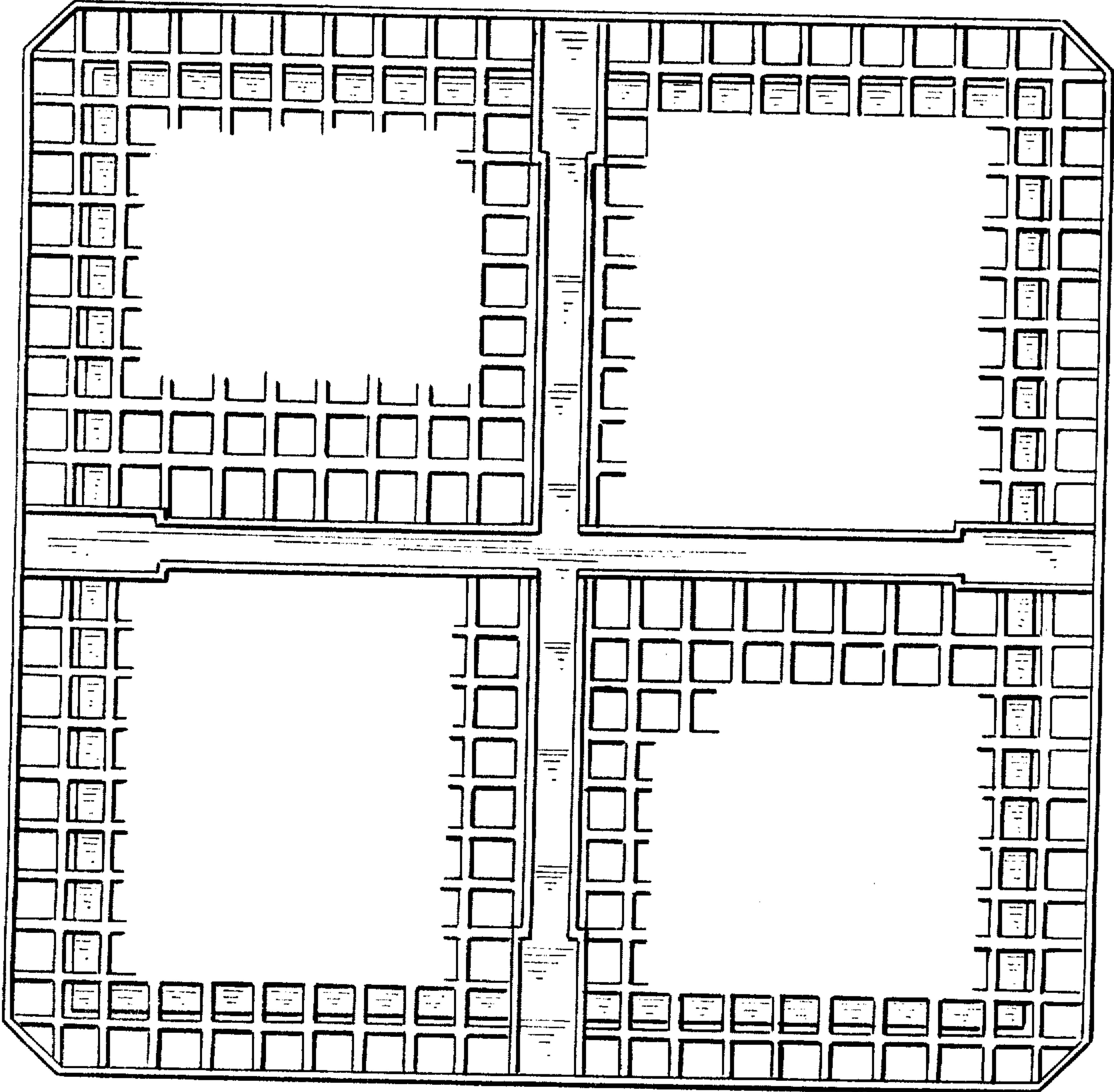


FIG. 5

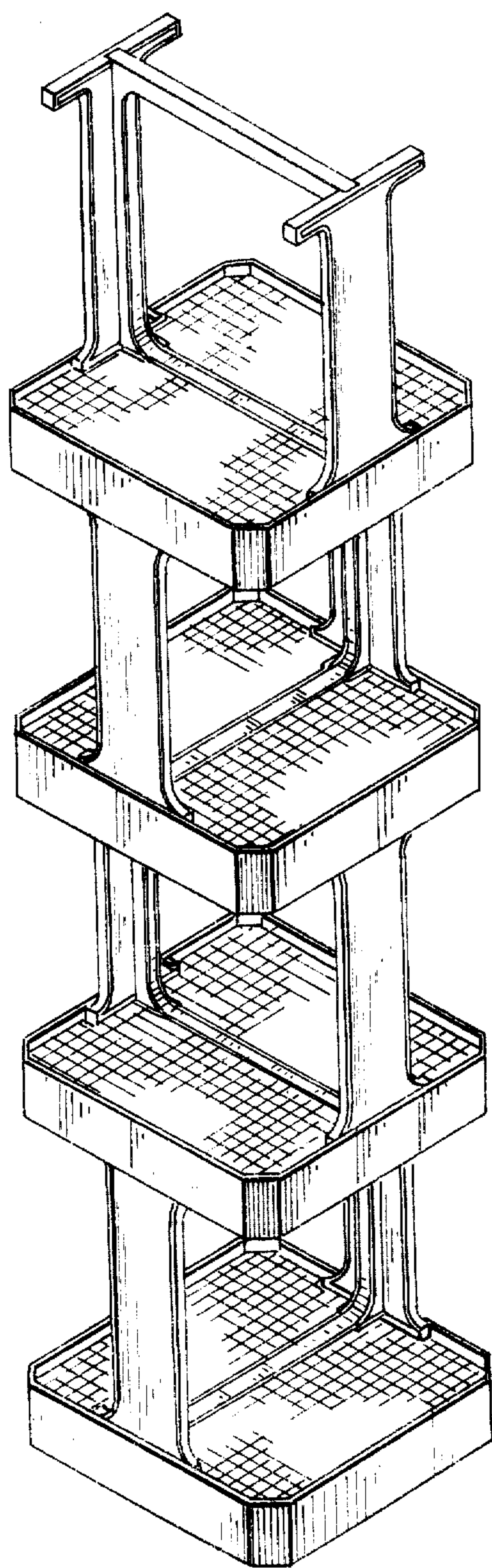


FIG. 6

