

[54] OTTOMAN

[76] Inventor: Robert V. Thompson, Boatyard
Condominiums, 75th Ave. North,
Myrtle Beach, S.C. 29577

[**] Term: 14 Years

[21] Appl. No.: 256,803

[22] Filed: Apr. 23, 1981

[51] Int. Cl. D6-01

[52] U.S. Cl. D6/36

[58] Field of Search D6/32-36,
D6/47, 200

[56] **References Cited**
U.S. PATENT DOCUMENTS

D. 232,610 9/1974 Petersen D6/186

D. 244,644 6/1977 Null D6/36
D. 247,594 3/1978 Corson D6/36
D. 250,860 1/1979 Castro D6/36 X

Primary Examiner—Bruce W. Dunkins
Attorney, Agent, or Firm—Wellington M. Manning, Jr.;
Luke J. Wilburn, Jr.

[57] **CLAIM**

The ornamental design of an ottoman, substantially as shown and described.

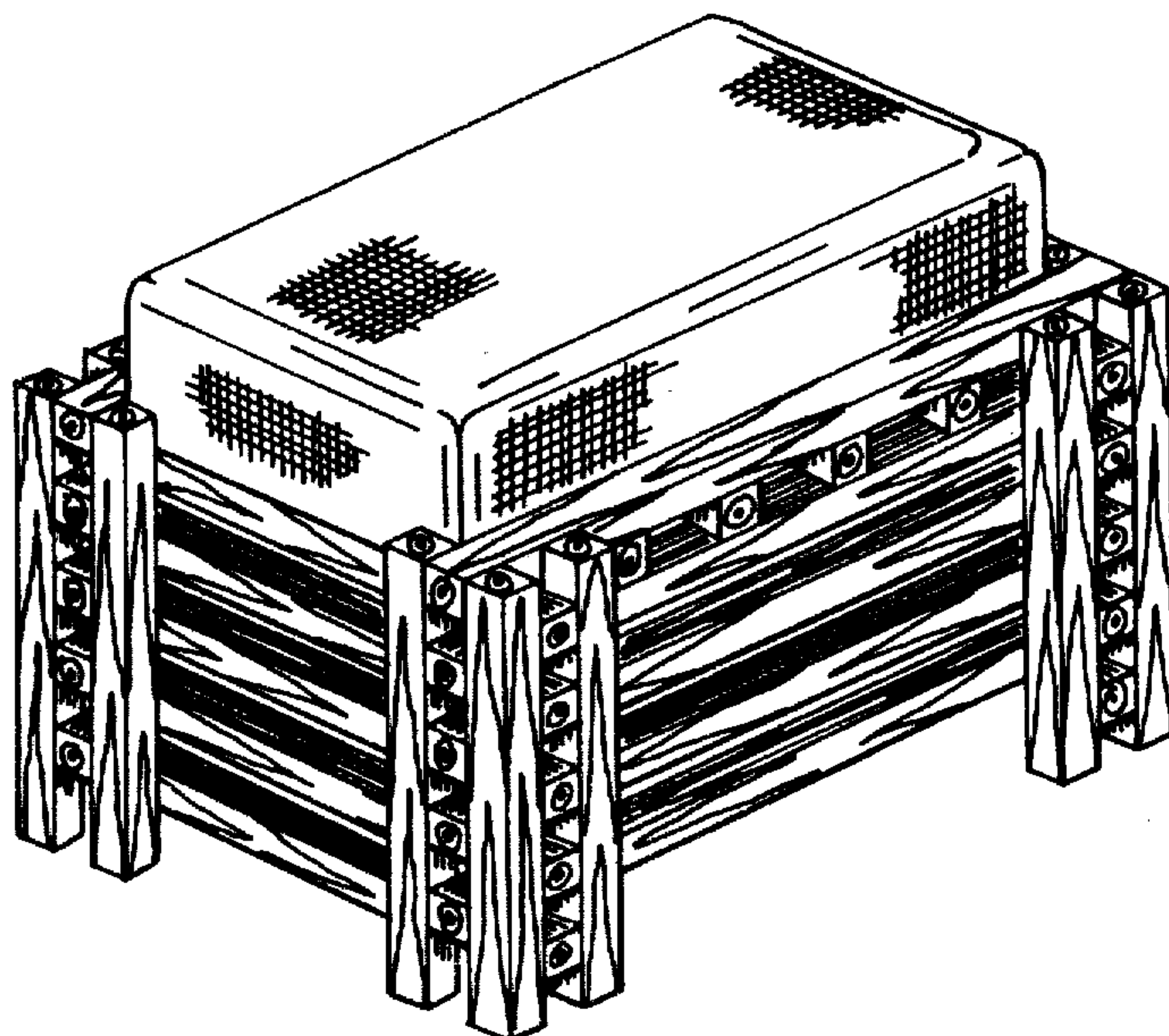
DESCRIPTION

FIG. 1 is a perspective view of an ottoman according to the design of the present invention.

FIG. 2 is a top view of the ottoman as shown in FIG. 1.

FIG. 3 is a side view of the ottoman as shown in FIG. 1.

FIG. 4 is an end view of the ottoman as shown in FIG. 1.



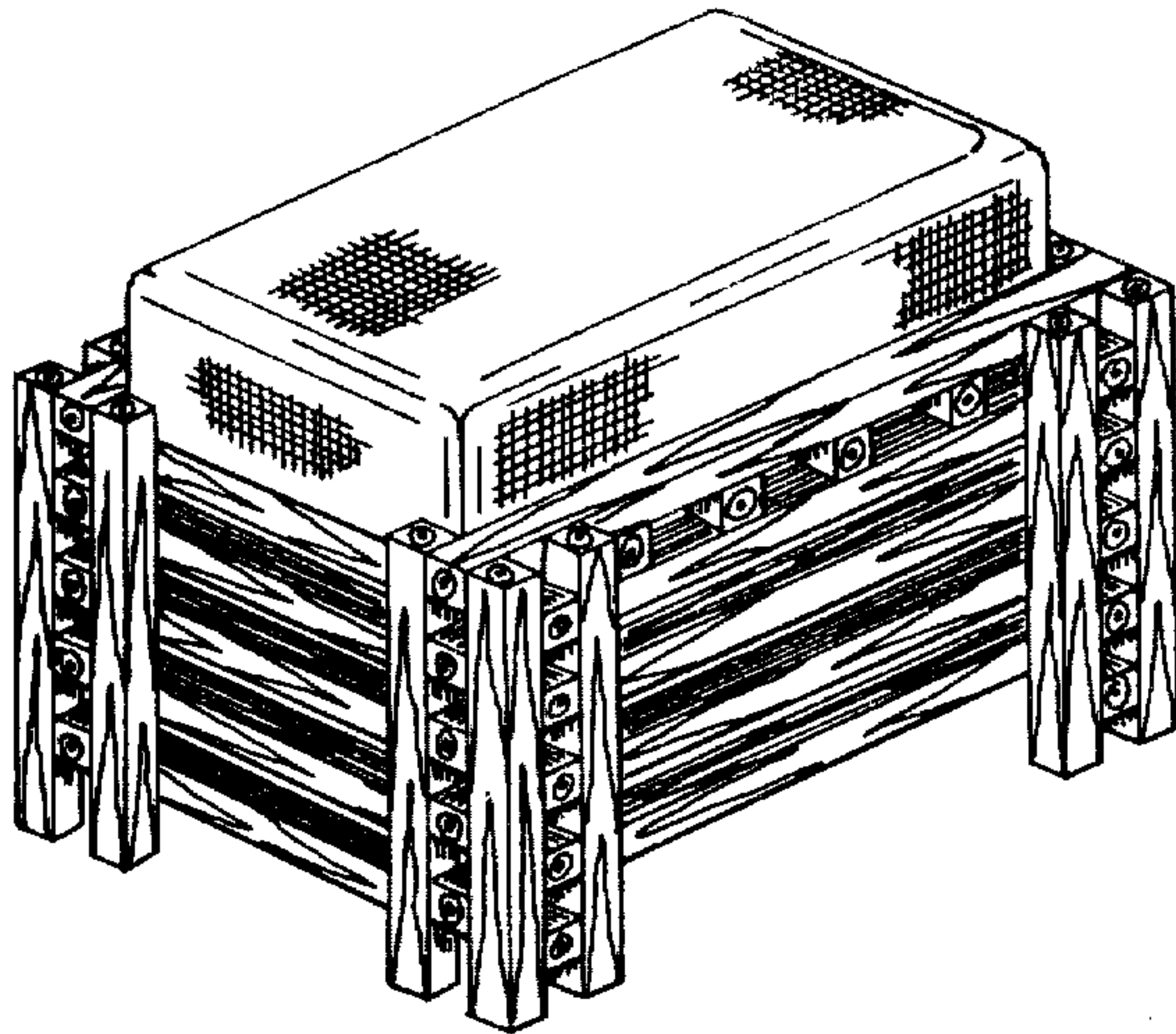


Fig. 1.

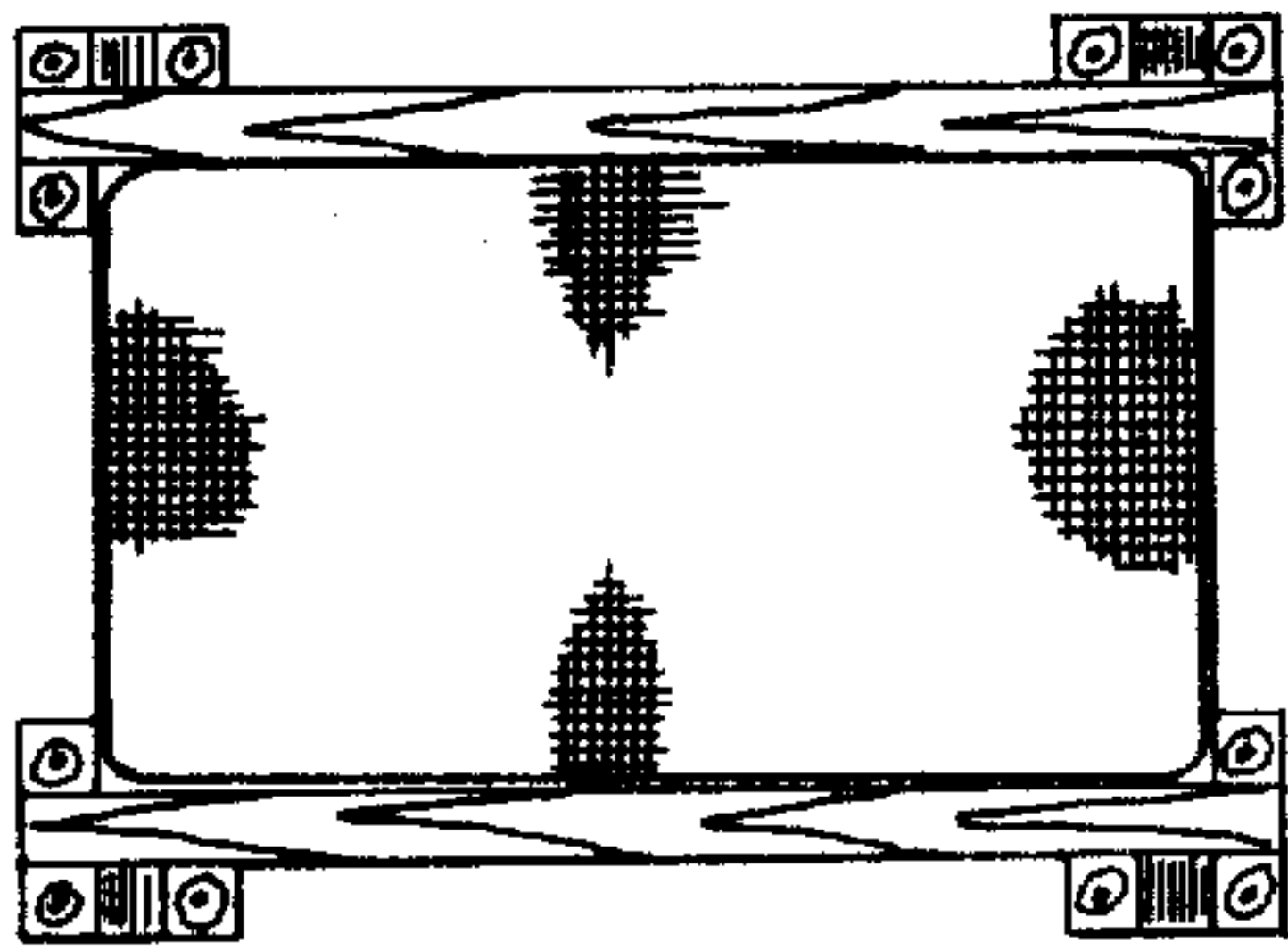


Fig. 2.

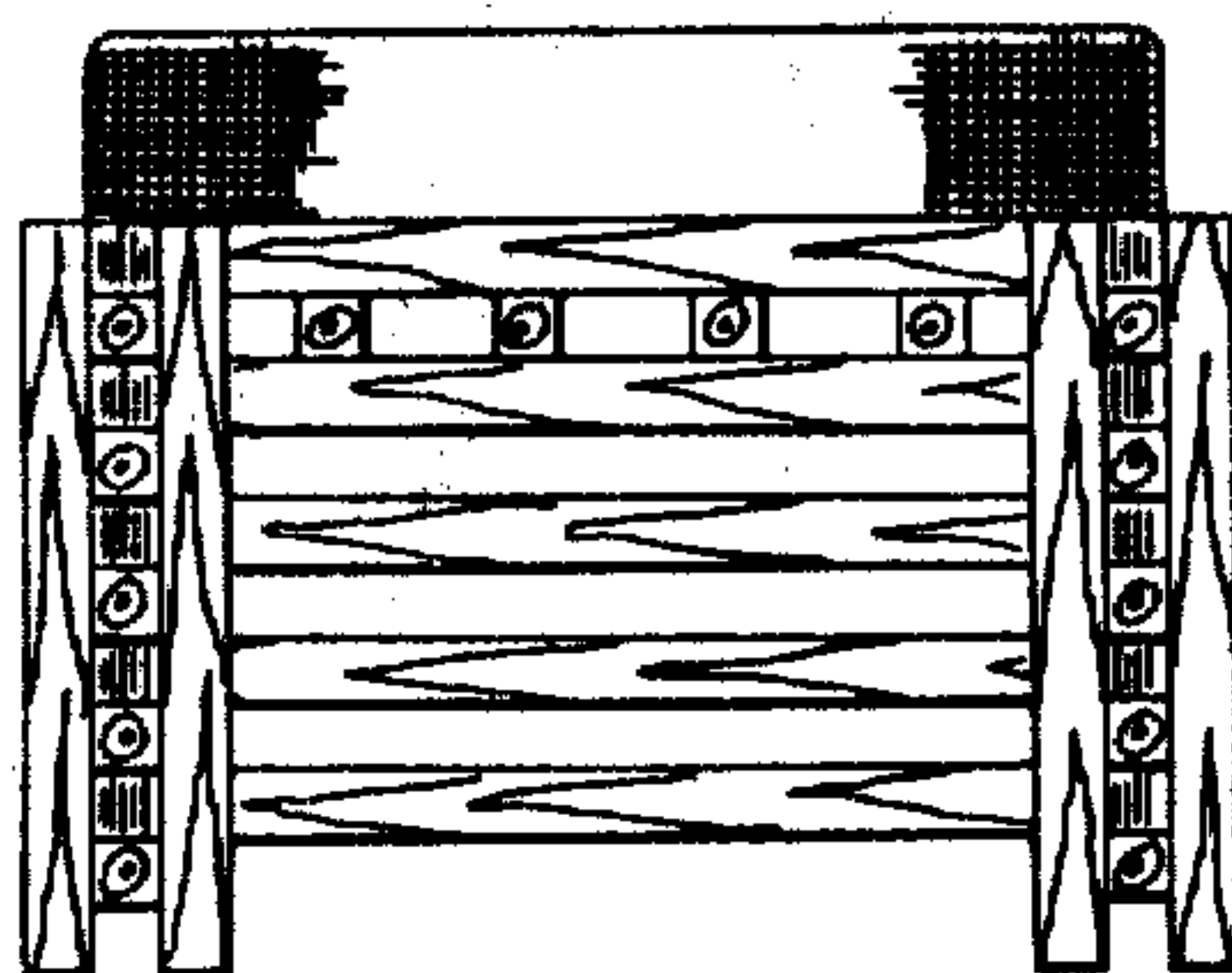


Fig. 3.

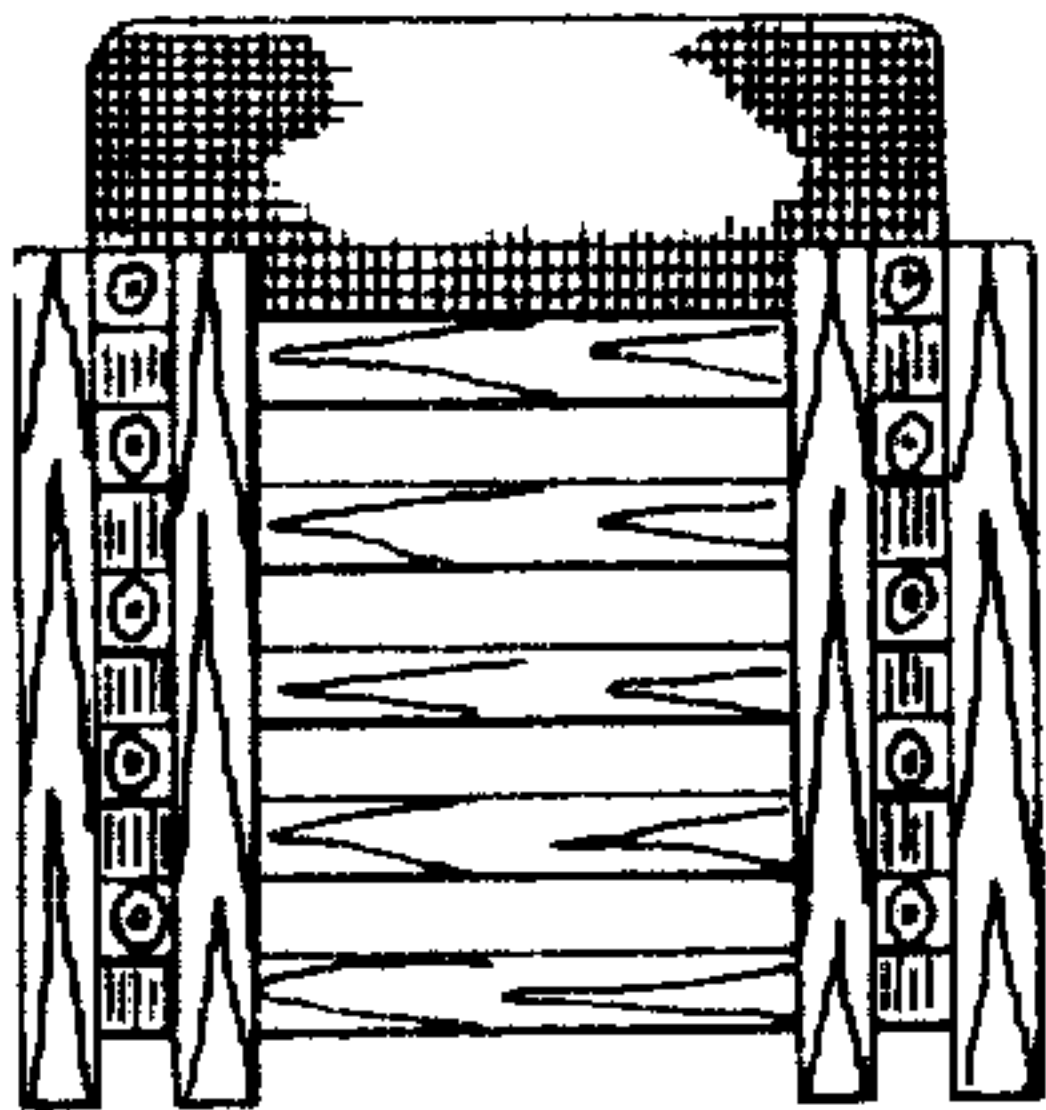


Fig. 4.