

[54] **KNITTING STAND**

[76] Inventor: **Wendy M. Wright**, 105 Balbair Rd.,
Kanata, Ontario, Canada, K2L 1G5

[**] Term: **14 Years**

[21] Appl. No.: **264,988**

[22] Filed: **May 18, 1981**

[30] **Foreign Application Priority Data**

Feb. 23, 1981 [CA] Canada 23-02-81-1

[51] Int. Cl. **D02—99**

[52] U.S. Cl. **D3/23; D6/85**

[58] Field of Search **D6/85, 181, 186; D3/18,**
D3/20, 23, 26; 211/123; 248/441 R; 223/120,
106

[56] **References Cited**

U.S. PATENT DOCUMENTS

D. 176,555 1/1956 Rosamond D3/20
758,451 4/1904 Judelson 211/123
1,061,590 5/1913 Bennet 223/106
2,438,324 3/1948 Pfeffer 211/123 X

FOREIGN PATENT DOCUMENTS

8643 of 1897 United Kingdom D3/18

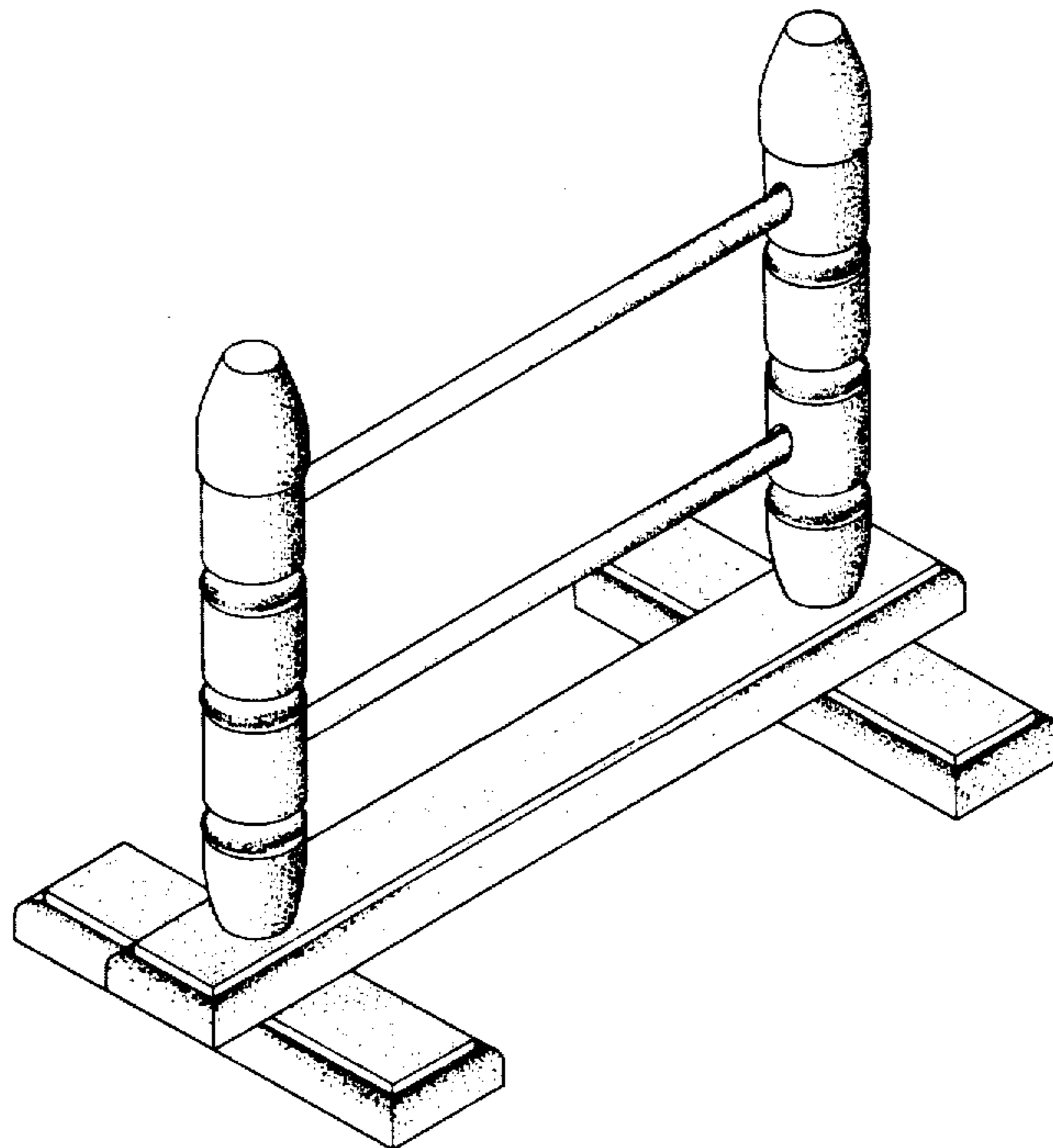
Primary Examiner—Joel Stearman
Assistant Examiner—Carmen H. Vales

[57] **CLAIM**

The ornamental design for a knitting stand, as shown
and described.

DESCRIPTION

FIG. 1 is a perspective view of a knitting stand showing
my new design; and
FIG. 2 is a side elevational view thereof.



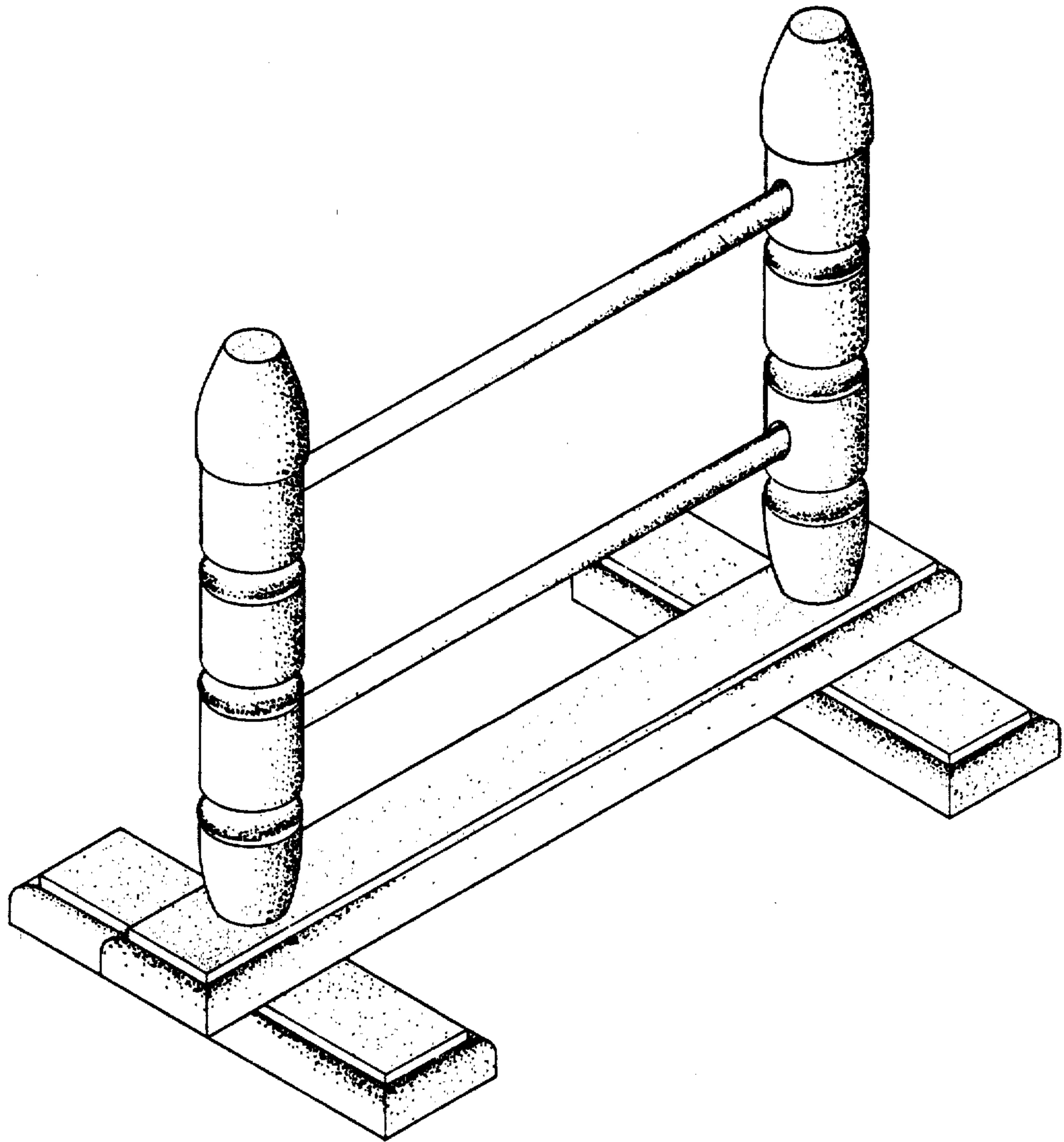


FIG 1

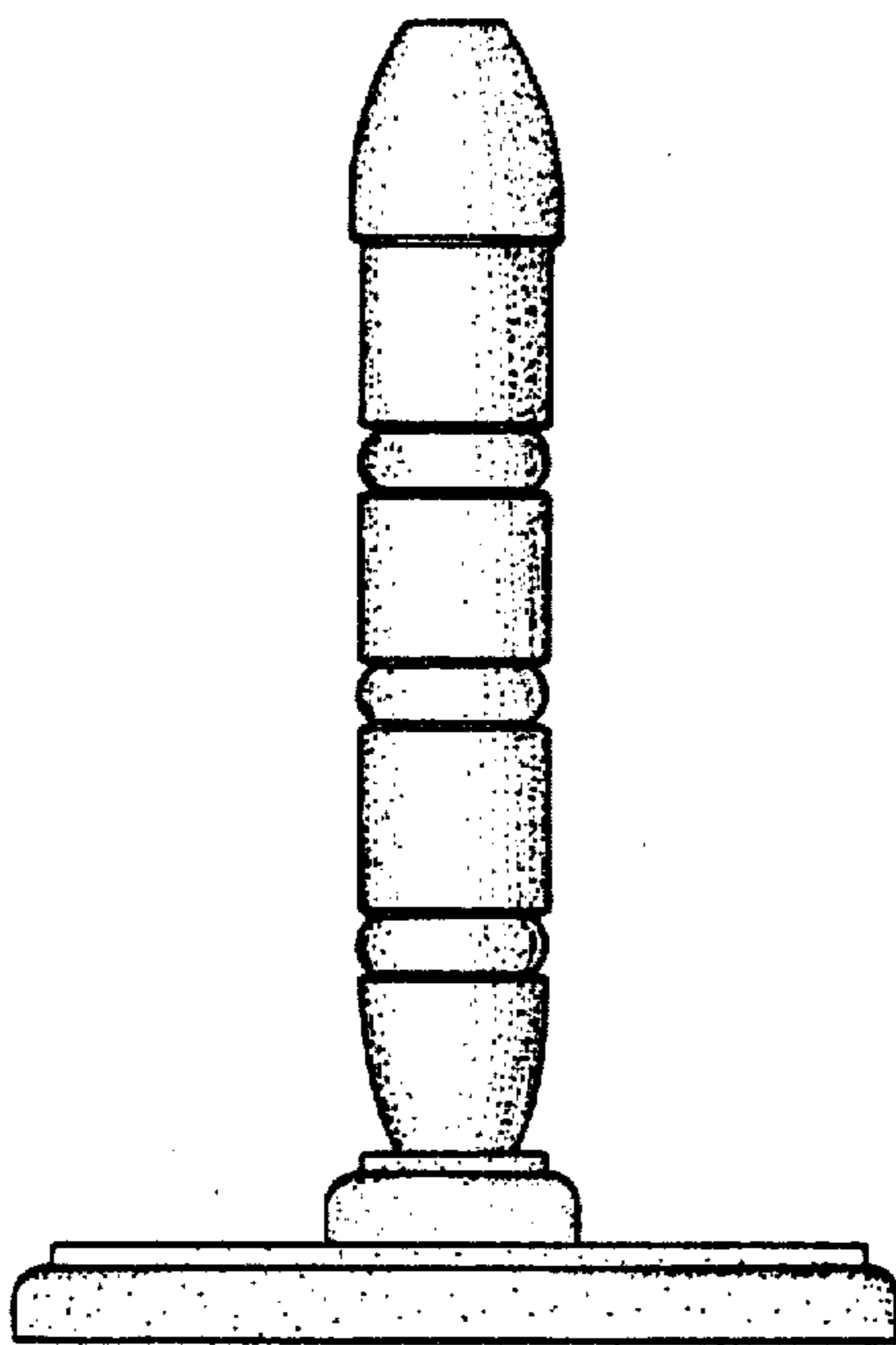


FIG 2