

[54] COIN BANK

[76] Inventors: John W. Spirk, Jr., 2533 Euclid Heights Blvd., Cleveland Heights, Ohio 44106; John R. Nottingham, 4875 Stacy Ct., Richmond Heights, Ohio 44143

3,387,616 6/1968 Bortz .  
 3,464,693 9/1969 Bailey .  
 3,472,248 10/1969 Warrix .  
 3,521,649 7/1970 Warrix .  
 3,992,805 11/1976 Arkin .  
 4,122,860 10/1978 Weisman .  
 4,286,703 9/1981 Schuller ..... 194/100

[\*\*] Term: 14 Years

Primary Examiner—Charles A. Rademaker  
 Attorney, Agent, or Firm—Yount & Tarolli

[21] Appl. No.: 372,941

[57] CLAIM

[22] Filed: Apr. 29, 1982

The ornamental design for a coin bank, as shown and described.

[51] Int. Cl. .... D31—00

[52] U.S. Cl. .... D99/35

[58] Field of Search ..... D99/28, 34, 35, 36, D99/37, 43; 232/4 R, 5, 14, 15, 16; 46/2-5; 133/1 R, 1 A, 3 A, 3 E, 8 A

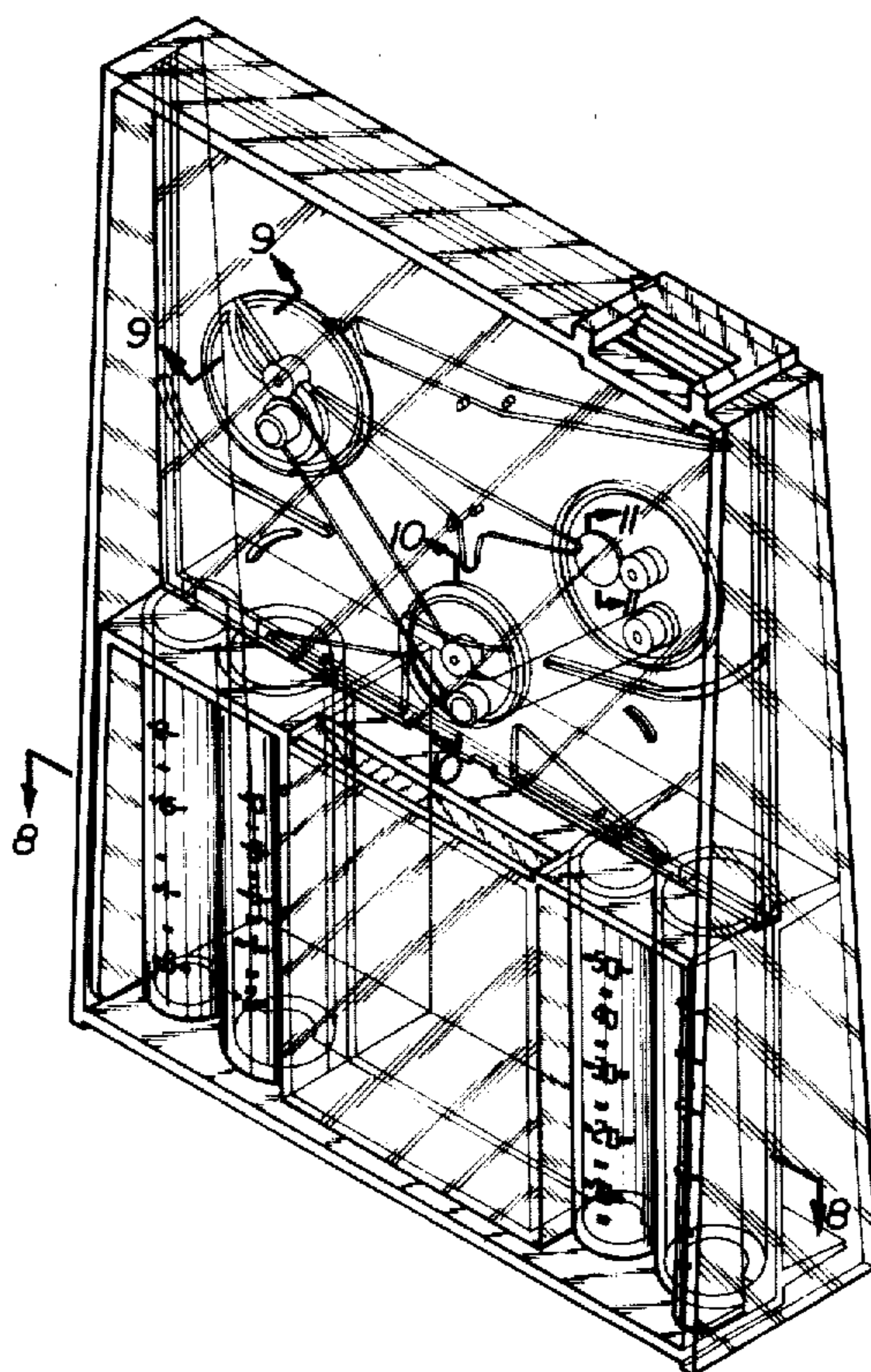
DESCRIPTION

[56] References Cited

U.S. PATENT DOCUMENTS

- D. 160,133 9/1950 Thompson .
- D. 241,866 10/1976 Miyazaki ..... D99/35
- 508,019 11/1893 Hunter .
- 799,318 9/1905 Flagg .
- 1,068,782 7/1913 Kohler ..... 133/3 D
- 2,606,088 8/1952 Leaf .
- 2,804,719 9/1957 Glass .
- 2,825,347 3/1958 Morse .
- 3,002,313 10/1961 Hutchison ..... 232/4 R
- 3,044,232 7/1962 Robichaud .
- 3,313,477 4/1967 Brown .
- 3,338,250 8/1967 Mehlich ..... 232/5
- 3,367,346 2/1968 Gdanski .

FIG. 1 is a front elevational view of a coin bank showing our new design;  
 FIG. 2 is a front elevational view thereof;  
 FIG. 3 is a top plan view thereof;  
 FIG. 3 is a top plan view thereof;  
 FIG. 4 is a rear elevational view thereof;  
 FIG. 5 is a bottom plan view thereof;  
 FIG. 6 is a right side elevational view thereof;  
 FIG. 7 is a left side elevational view thereof;  
 FIG. 8 is a cross-sectional view thereof taken along line 8—8 in FIG. 1;  
 FIG. 9 is a cross-sectional view thereof taken along line 9—9 in FIG. 1 and shown on an enlarged scale;  
 FIG. 10 is a cross-sectional view thereof taken along line 10—10 in FIG. 1 and shown on an enlarged scale; and  
 FIG. 11 is a cross-sectional view thereof taken along line 11—11 in FIG. 1 and shown on an enlarged scale.



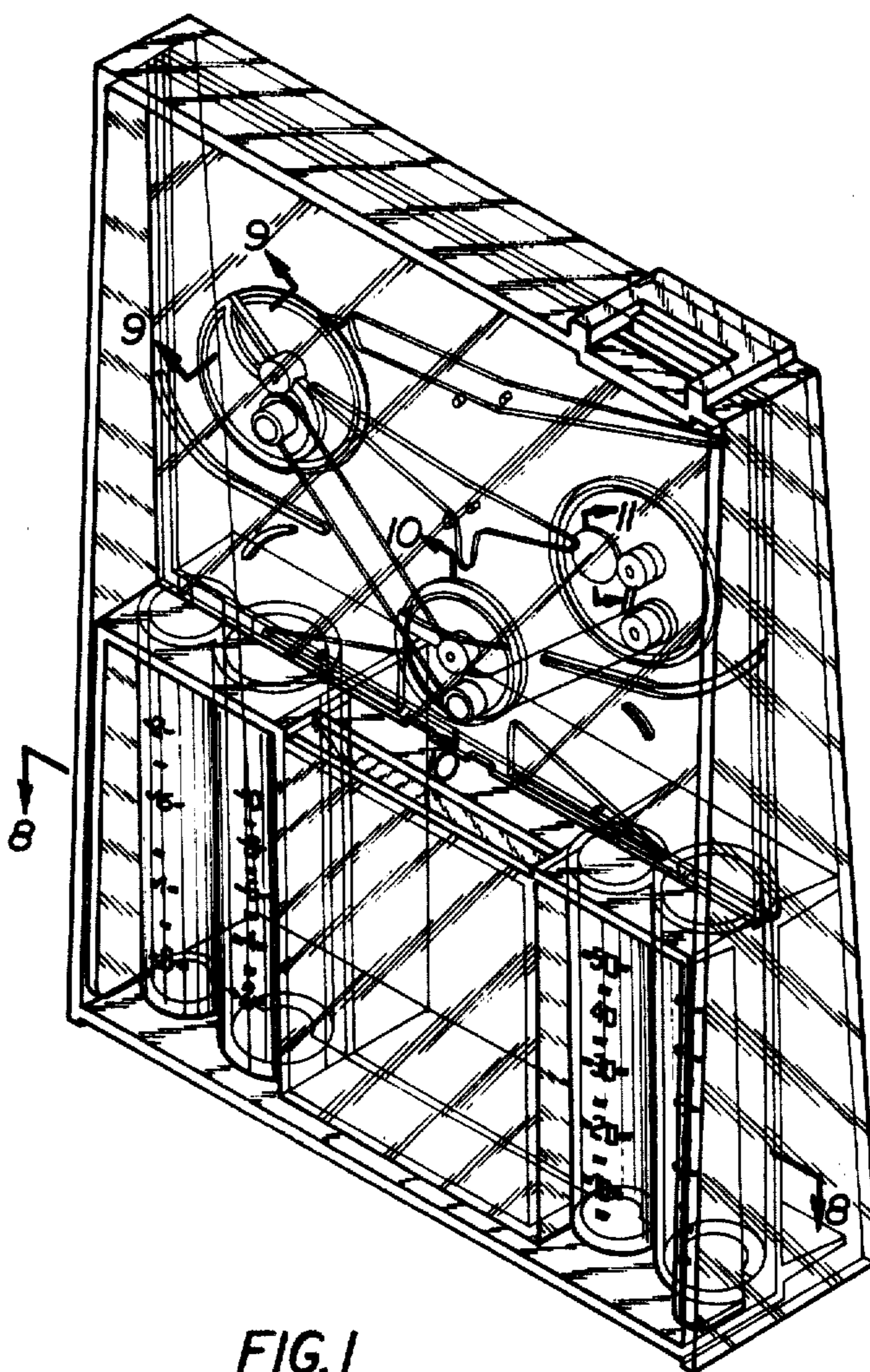


FIG. 1

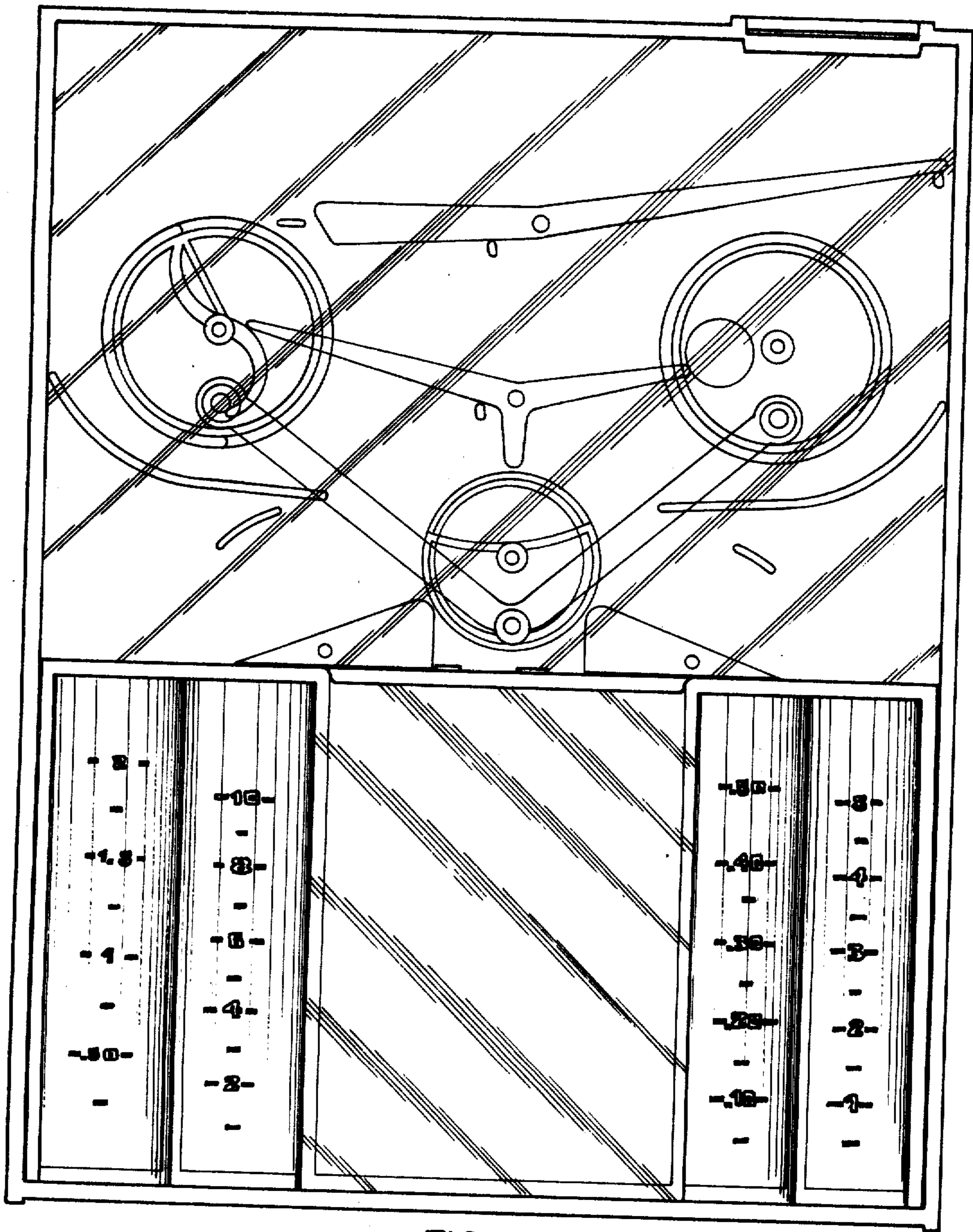


FIG. 2

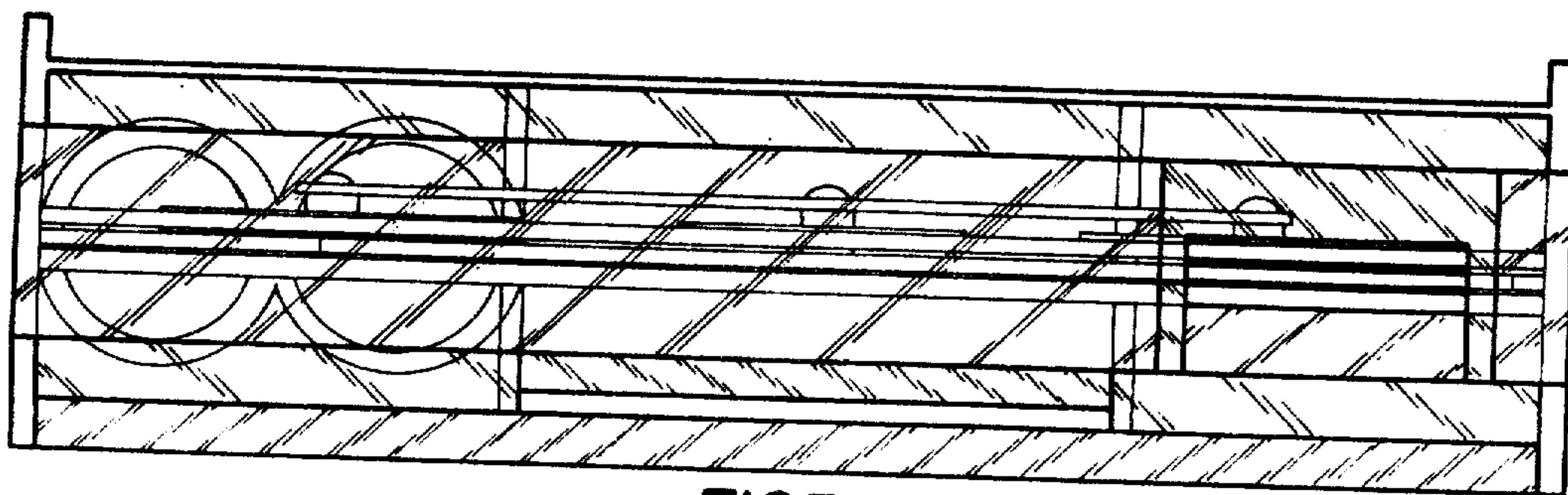


FIG. 3

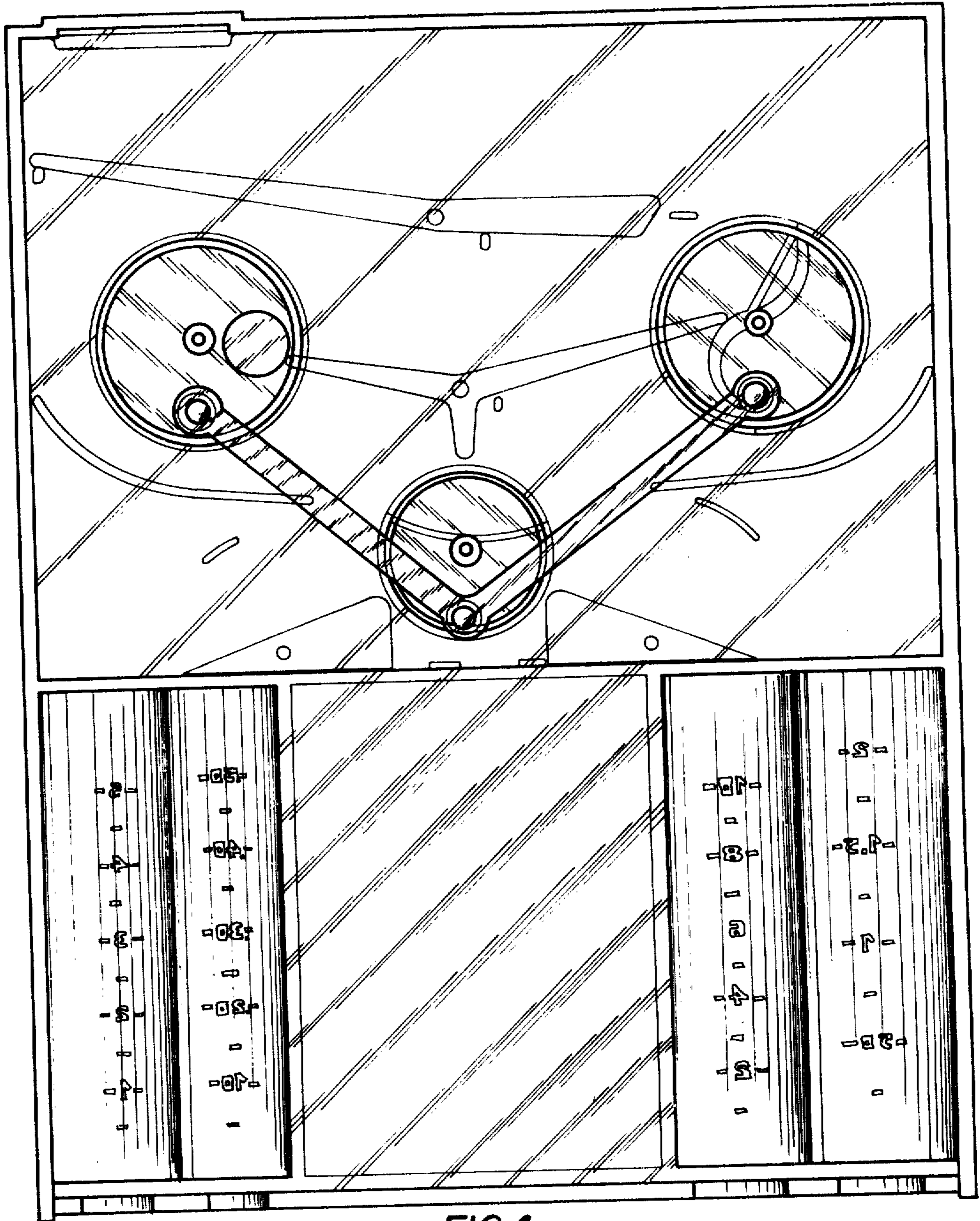


FIG.4

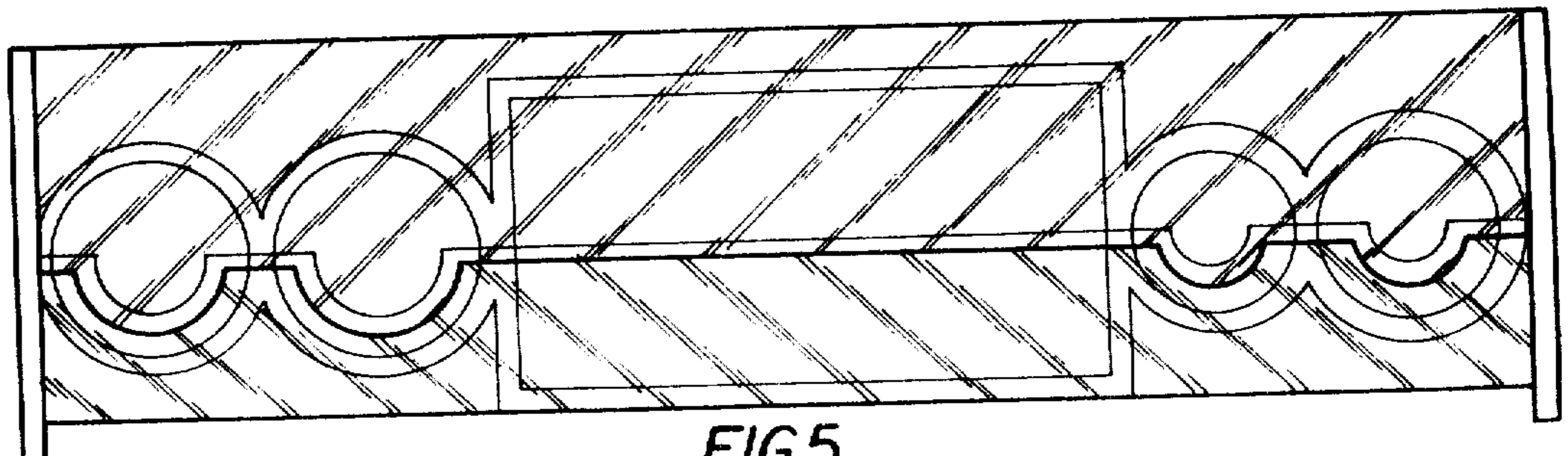


FIG.5

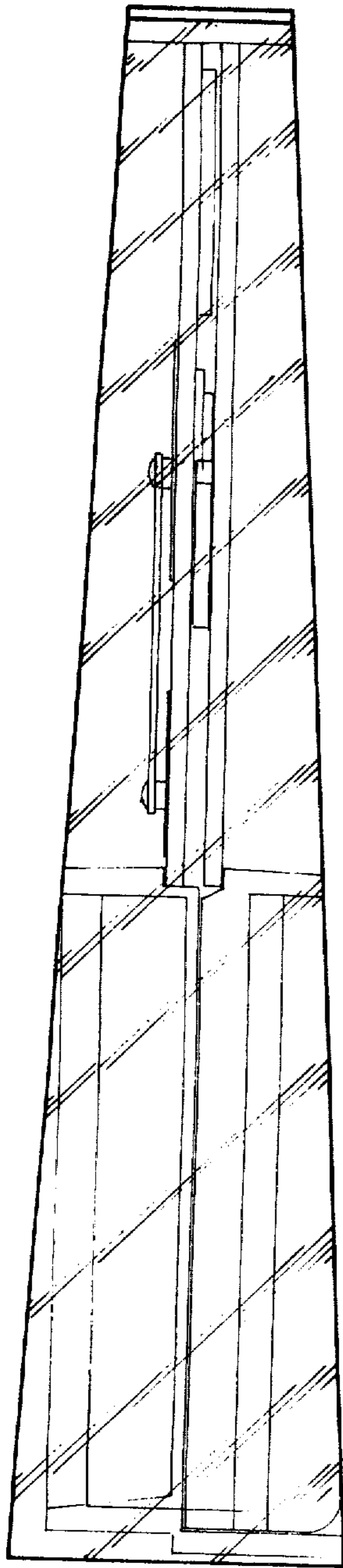


FIG. 6

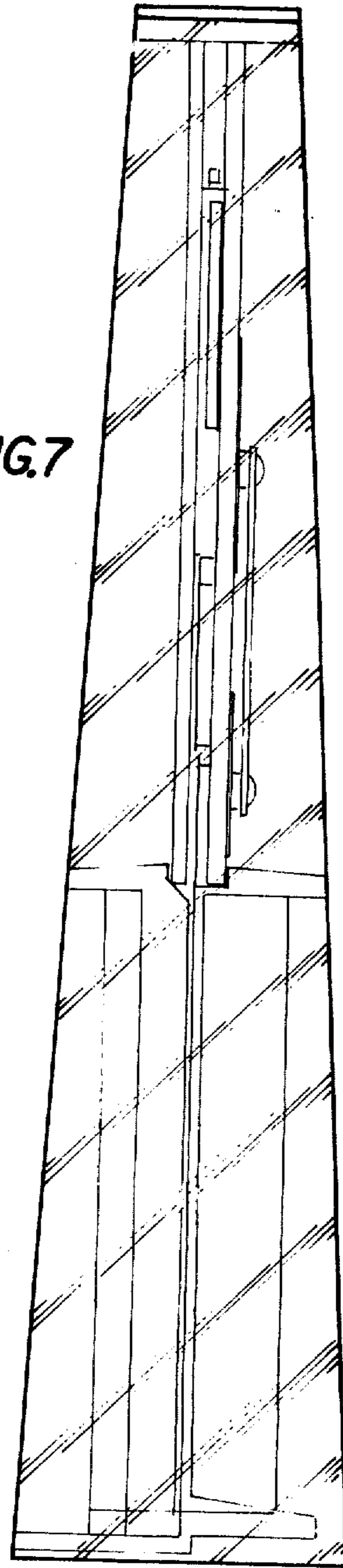


FIG. 7

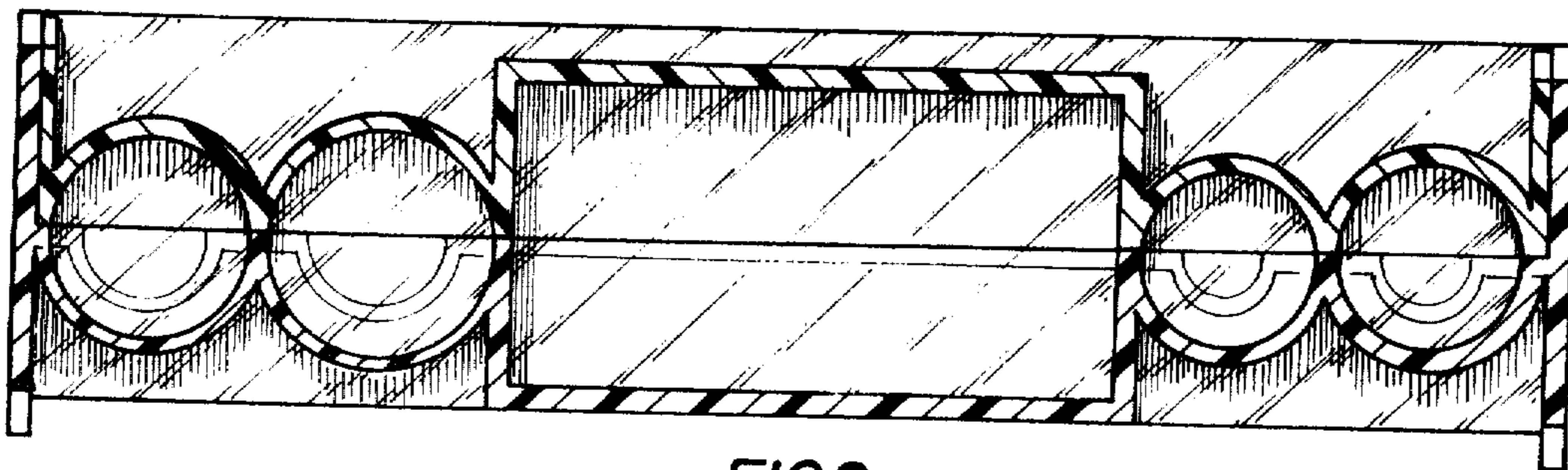


FIG. 8

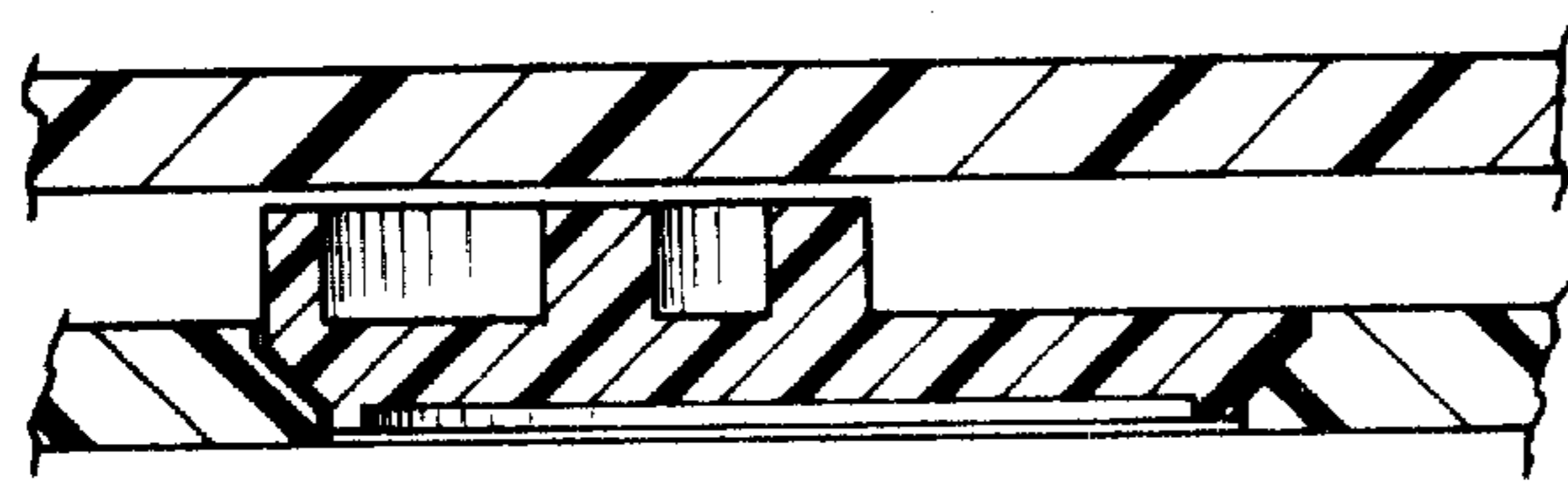


FIG. 9



FIG. 11

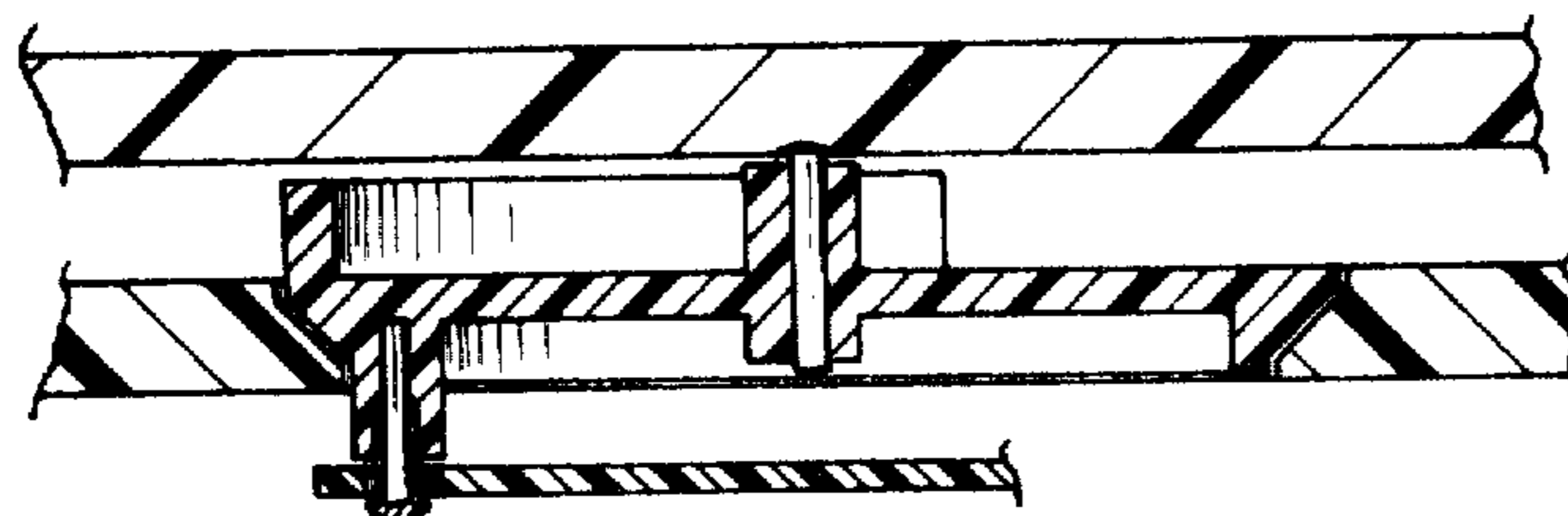


FIG. 10