

[54] CARRYING CASE FOR PLUMBING TOOLS AND EQUIPMENT

[75] Inventor: Richard J. Keohan, Braintree, Mass.

[73] Assignee: Victor Equipment Company, San Francisco, Calif.

[\*\*] Term: 14 Years

[21] Appl. No.: 257,761

[22] Filed: Apr. 27, 1981

[51] Int. Cl. .... D3-02

[52] U.S. Cl. .... D34/44; D3/30.1; D3/73; D3/74; D34/45

[58] Field of Search .... D3/30.1, 30.5, 42, 74, D3/73; D34/40, 45; 294/137, 146; 206/372, 373, 549, 564, 203; 312/244, DIG. 33

[56] References Cited

U.S. PATENT DOCUMENTS

D. 229,123	11/1973	Wooster	.....	D3/73
3,618,749	11/1971	Vaccaro	.....	206/373
3,907,105	9/1975	Nowak	.....	D34/45
4,294,348	10/1981	Hastings	.....	312/DIG. 33

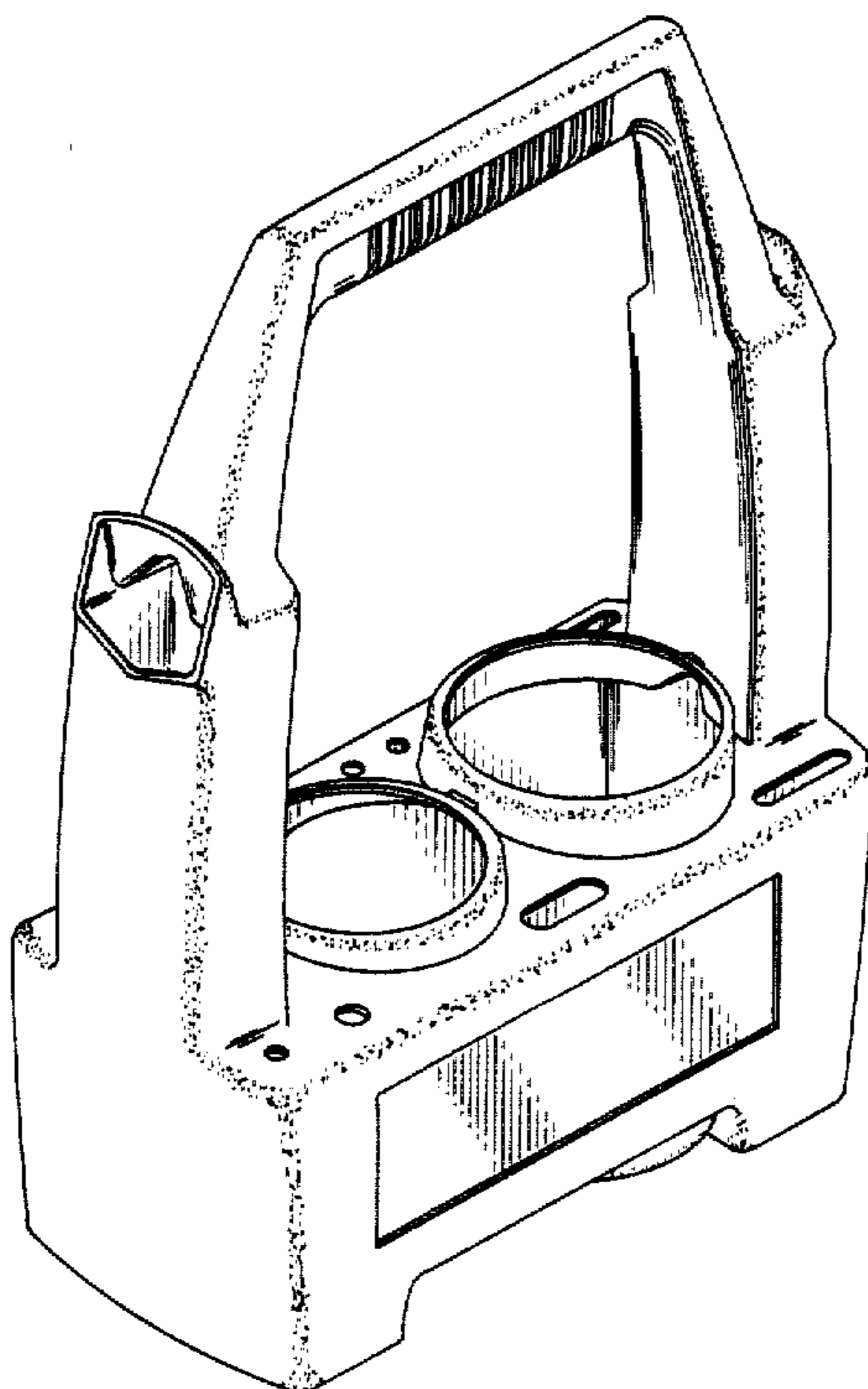
Primary Examiner—George P. Word

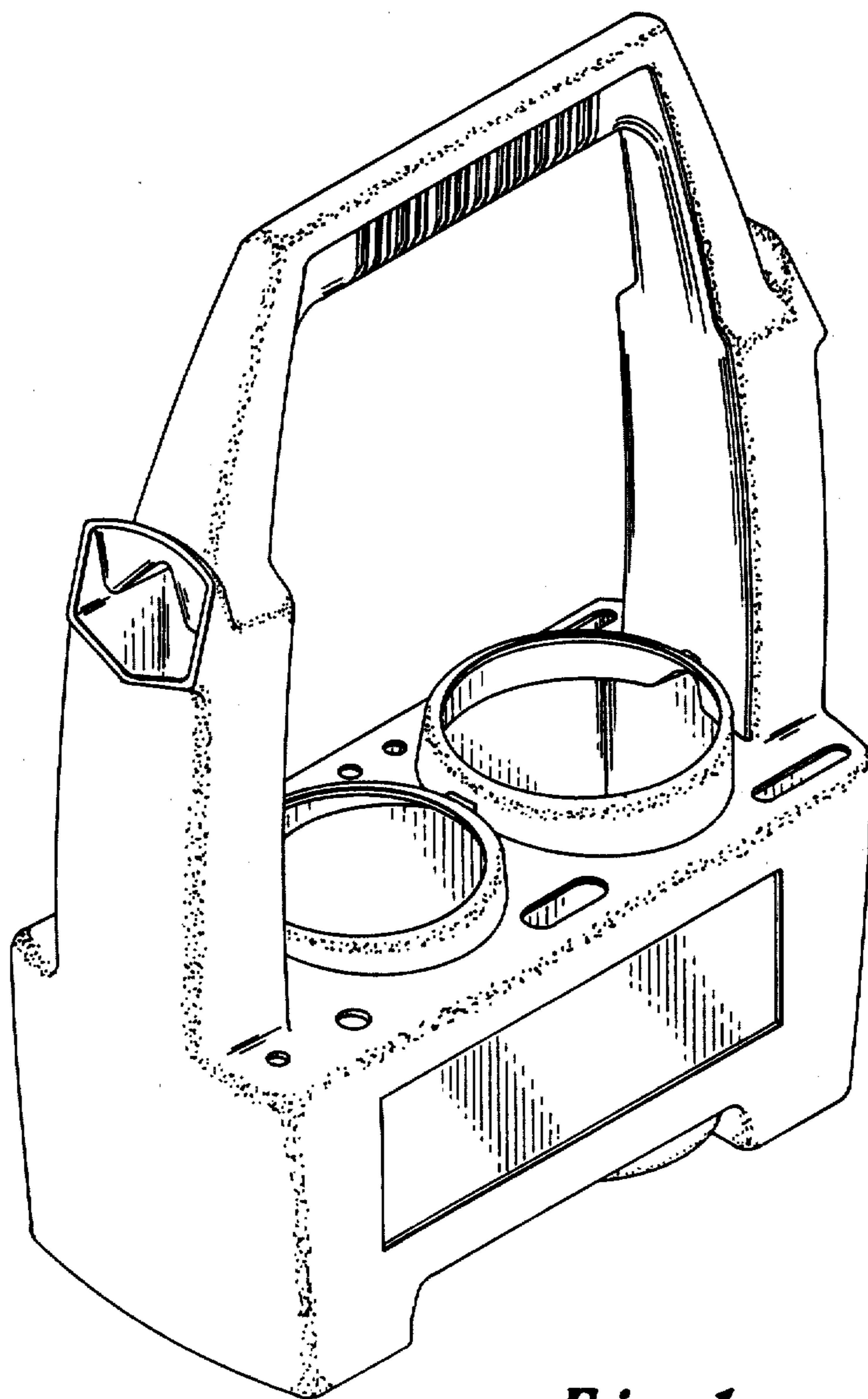
[57] CLAIM

The ornamental design for a carrying case for plumbing tools and equipment, as shown.

DESCRIPTION

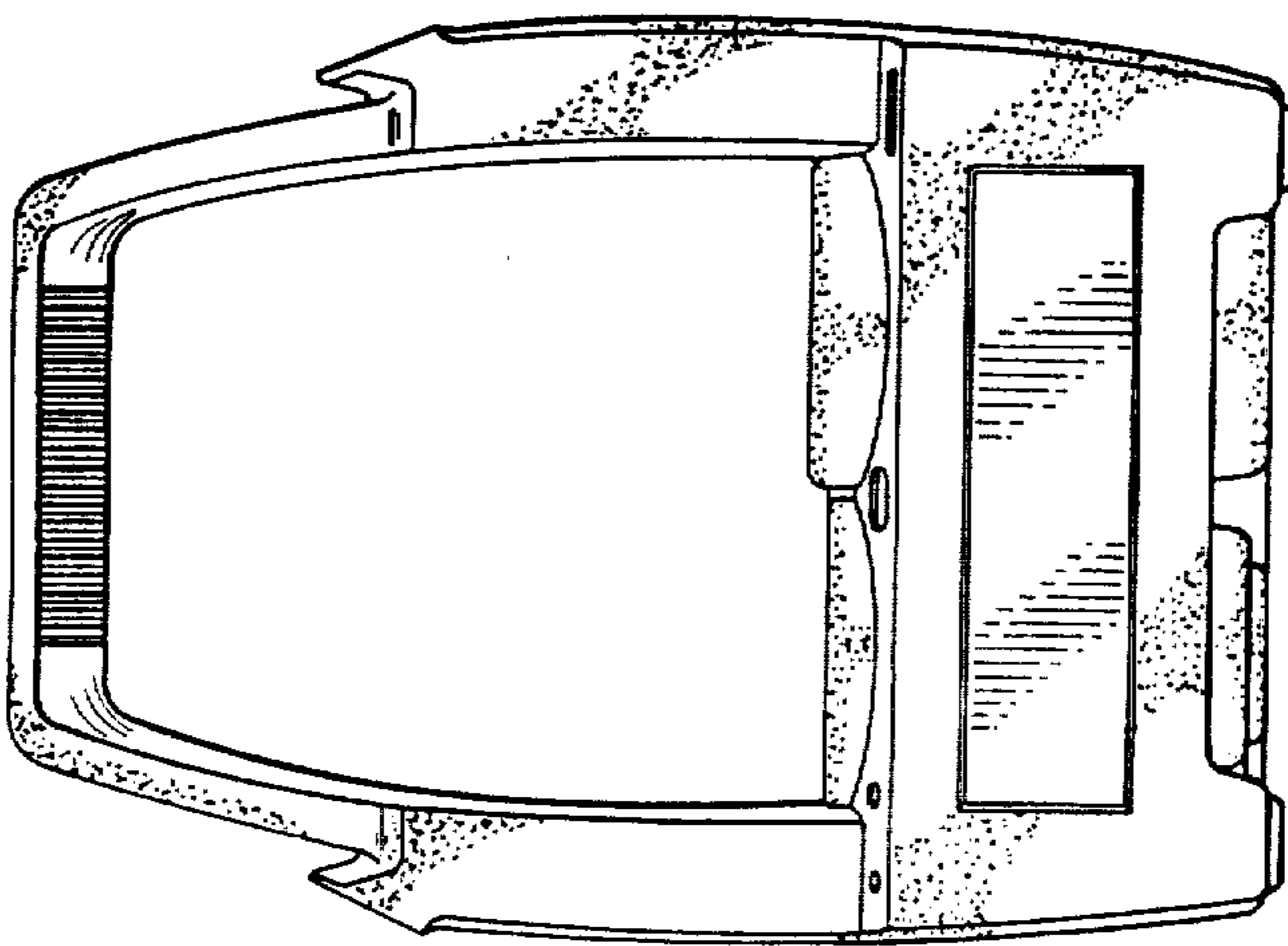
FIG. 1 is a perspective view of a carrying case for plumbing tools and equipment showing my new design; FIG. 2 is a front elevational view thereof; FIG. 3 is a bottom plan view thereof; FIG. 4 is a top plan view thereof; FIG. 5 is a rear elevational view thereof; and FIG. 6 is a right side elevational view of FIG. 5.



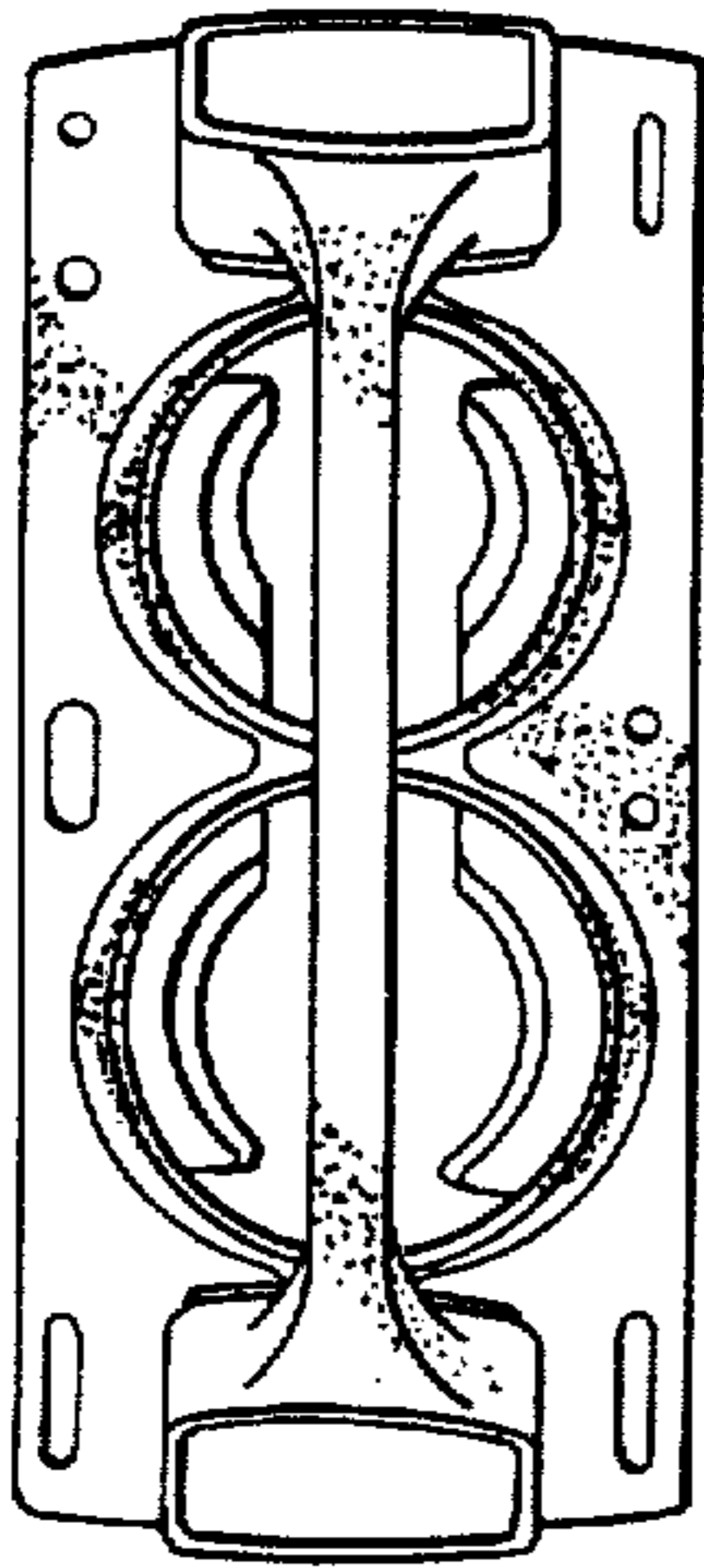


*Fig. 1*

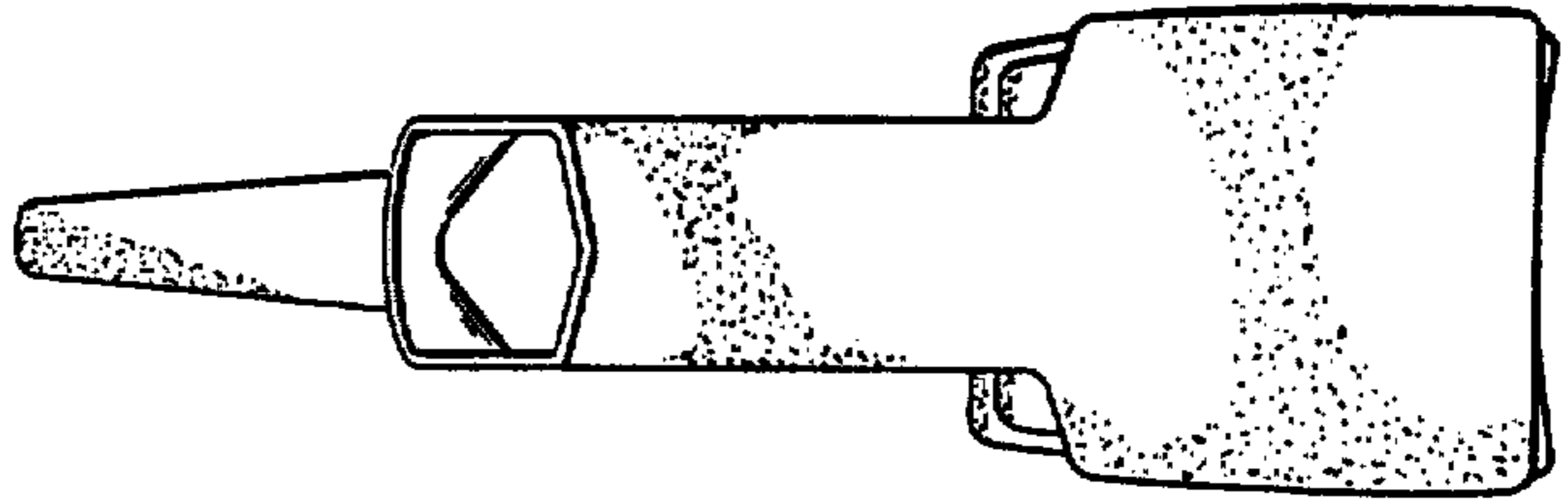
*Fig. 2*



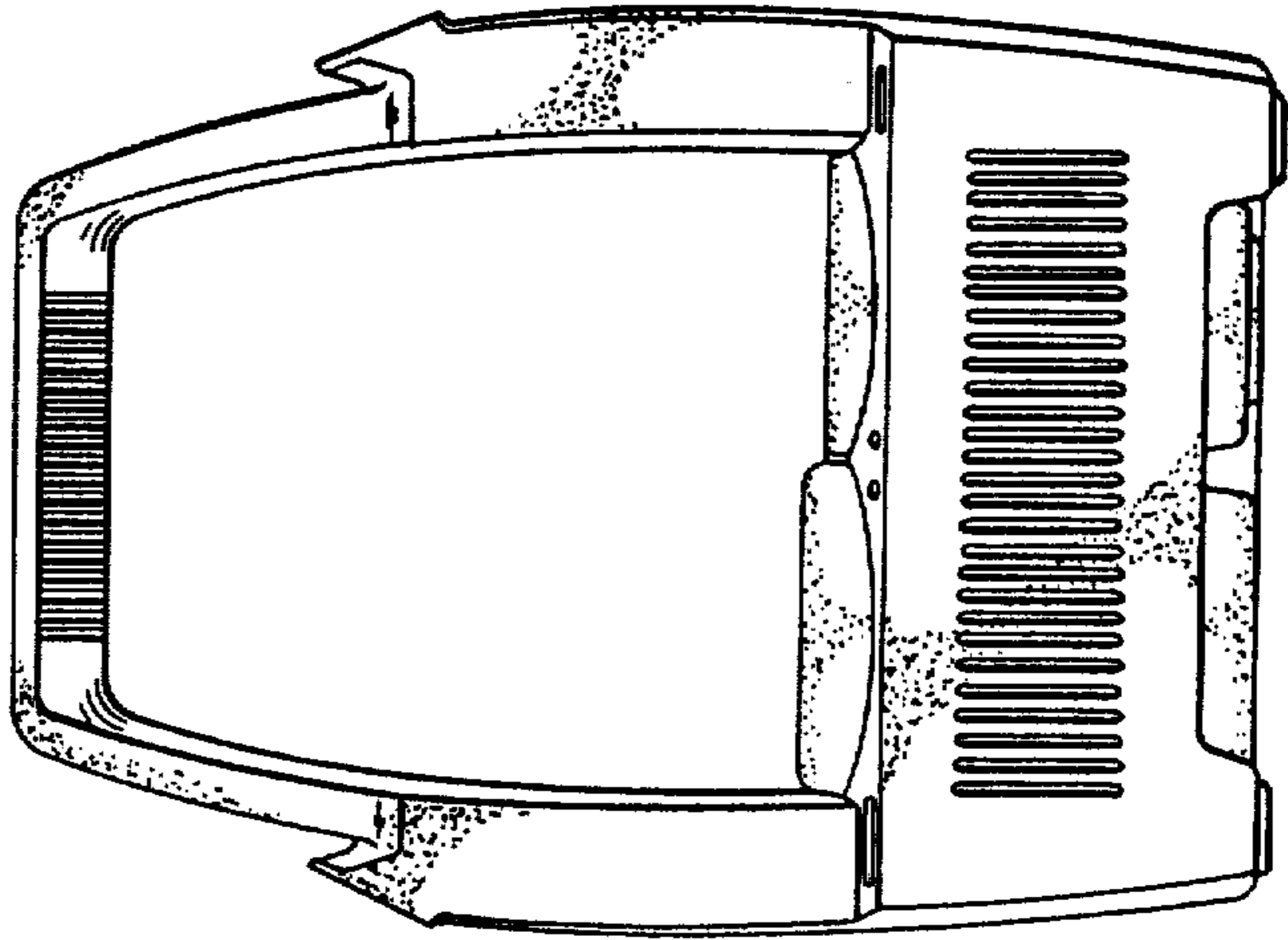
*Fig. 4*



*Fig. 6*



*Fig. 5*



*Fig. 3*

