

[54] DISPENSER FOR LIQUID SOAP OR GELATINOUS MATERIAL

[75] Inventors: Yves Joyaux, Poitiers; Jean-Pierre Mandon, Chasseneuil-du-Poitou, both of France

[73] Assignee: Airwick Industries, Inc., Carlstadt, N.J.

[**] Term: 14 Years

[21] Appl. No.: 299,909

[22] Filed: Sep. 8, 1981

[30] Foreign Application Priority Data

Mar. 19, 1981 [CH] Switzerland 111 672

[51] Int. Cl. D28-03

[52] U.S. Cl. D28/77

[58] Field of Search D28/4, 5, 73, 81, 76-78, D28/83-91.1; D9/423, 337, 377, 390, 399, 403, 413, 426; 132/79 R, 79 D, 79 F-79 G; 206/235, 353, 581, 823; 401/28; D4/13, 17-20, 24; D24/36; D9/356-358

[56] References Cited

U.S. PATENT DOCUMENTS

D. 150,913	9/1948	Wagner	D4/13
D. 267,042	11/1982	Weinberger	D24/36
2,851,713	9/1958	Tupper	D4/19 X
3,214,783	11/1965	Perry et al.	401/28

FOREIGN PATENT DOCUMENTS

1333990	6/1963	France	D24/36
---------	--------	--------	-------	--------

Primary Examiner—Louis S. Zarfes
Attorney, Agent, or Firm—Harry Falber

[57] CLAIM

The ornamental design for a dispenser for liquid soap or gelatinous material as shown.

DESCRIPTION

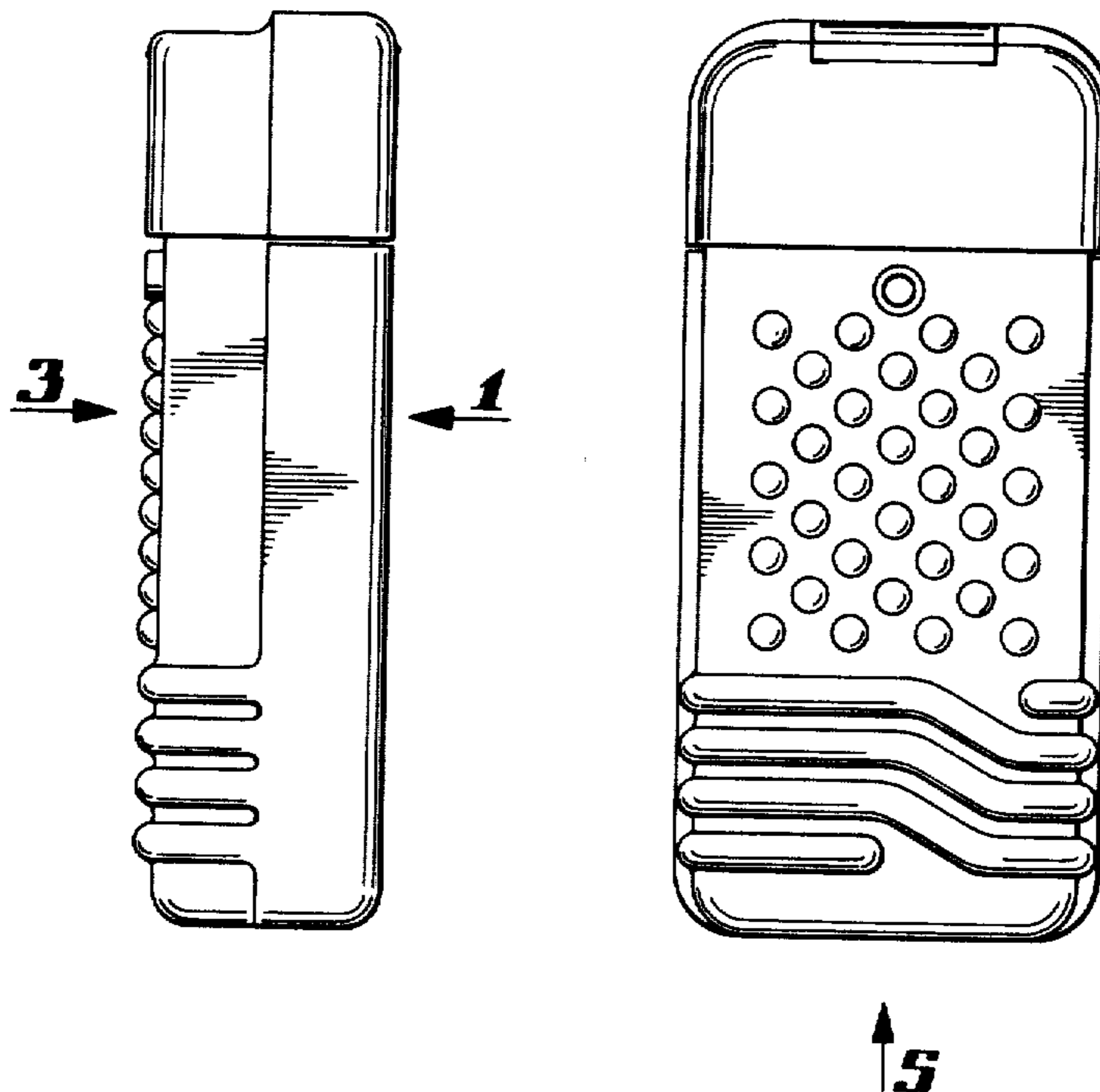
FIG. 1 is a front elevational view of a dispenser for liquid soap or gelatinous material showing our new design;

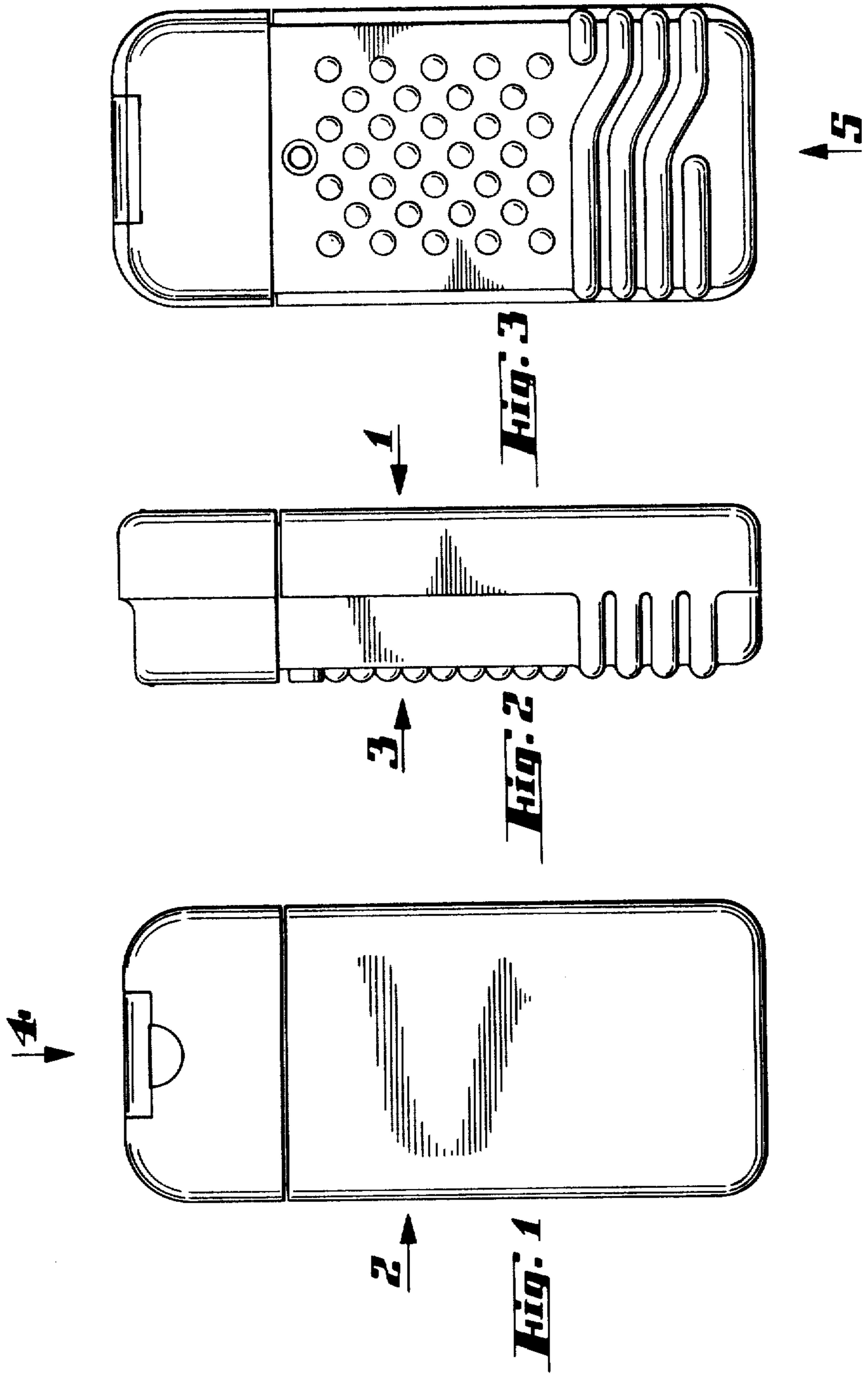
FIG. 2 is a left side elevational view thereof;

FIG. 3 is a rear elevational view thereof;

FIG. 4 is a top plan view thereof; and

FIG. 5 is a bottom plan view thereof.





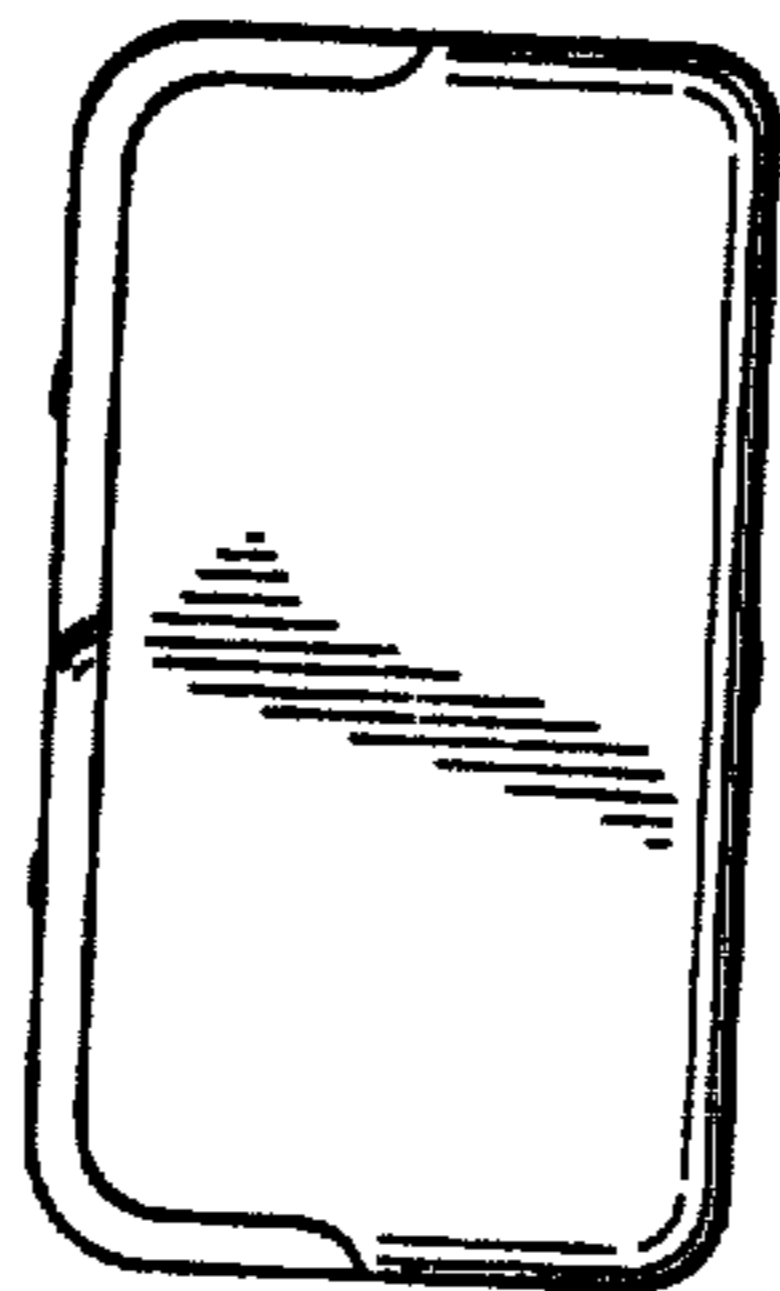


Fig. 5

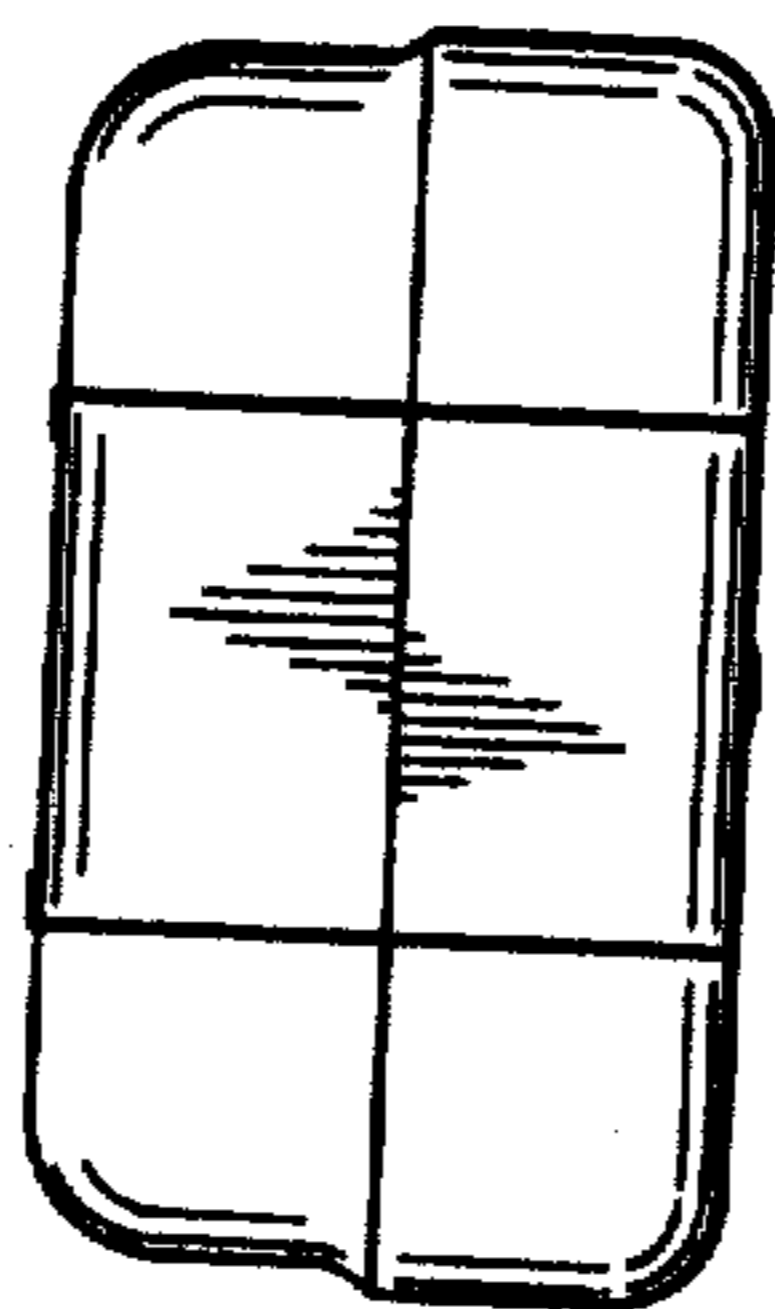


Fig. 4