

[54] **HOLDING TANK FOR A BOAT OR THE LIKE**
 [75] Inventors: **Robert Peets**, Island Heights; **Burton L. Preston**, Mansfield; **James A. Sigler**, Perrysville, all of Ohio

[73] Assignee: **Mansfield Sanitary Inc.**, Perrysville, Ohio

[**] Term: **14 Years**

[21] Appl. No.: **237,478**

[22] Filed: **Feb. 23, 1981**

[51] Int. Cl. **D23—01**

[52] U.S. Cl. **D23/2; D12/317**

[58] Field of Search **D23/1, 2; 210/532.1, 210/532.2; 220/72; D12/317**

[56] **References Cited**

U.S. PATENT DOCUMENTS

D. 141,914	7/1945	Benson	D23/2
D. 190,773	6/1961	Koch	D23/2
D. 219,446	12/1970	Arros	D23/2
D. 234,042	1/1975	Barton	D23/2

D. 243,520	3/1977	Brown	D23/2
D. 251,674	4/1979	Sayward	D23/2
3,330,439	7/1967	Moormen	220/72 X
3,552,599	1/1971	Redding	220/72
3,662,918	5/1972	Crawford et al.	210/532.1
4,134,643	1/1979	Hellquist	210/532.2 X

Primary Examiner—James R. Largen
Attorney, Agent, or Firm—Hamilton, Renner & Kenner

[57] **CLAIM**

The ornamental design for a holding tank for a boat or the like, as shown and described.

DESCRIPTION

FIG. 1 is a perspective view of a holding tank for a boat or the like showing our new design;
 FIG. 2 is a front elevational view thereof;
 FIG. 3 is an elevational view of the side opposite that shown in FIG. 1;
 FIG. 4 is a rear elevational view thereof;
 FIG. 5 is a perspective view of a modified form of the holding tank for a boat or the like shown in FIG. 1;
 FIG. 6 is a front elevational view of FIG. 5;
 FIG. 7 is an elevational view of the side opposite that shown in FIG. 5; and
 FIG. 8 is a rear elevational view of FIG. 5.

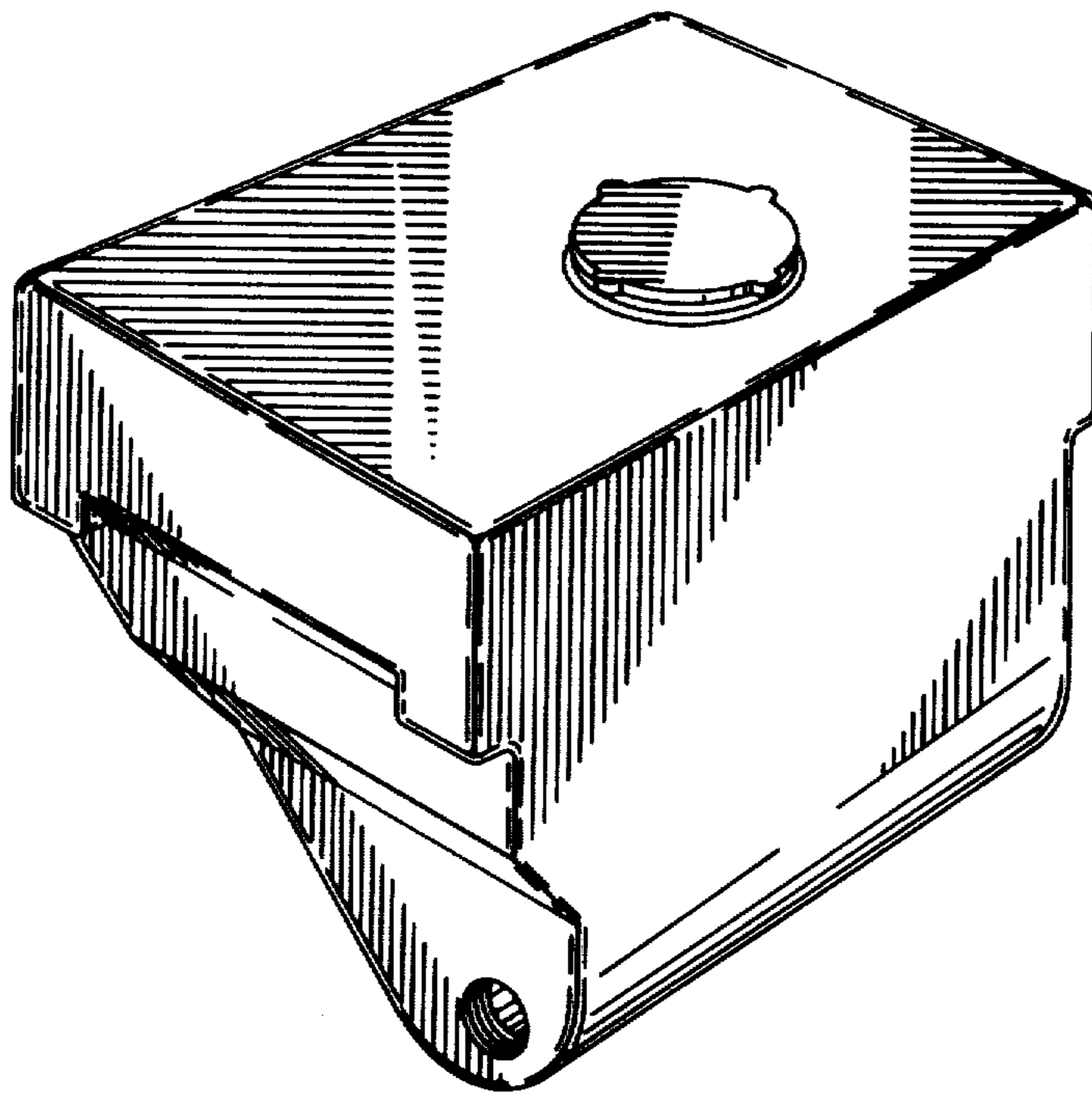


FIG. 1

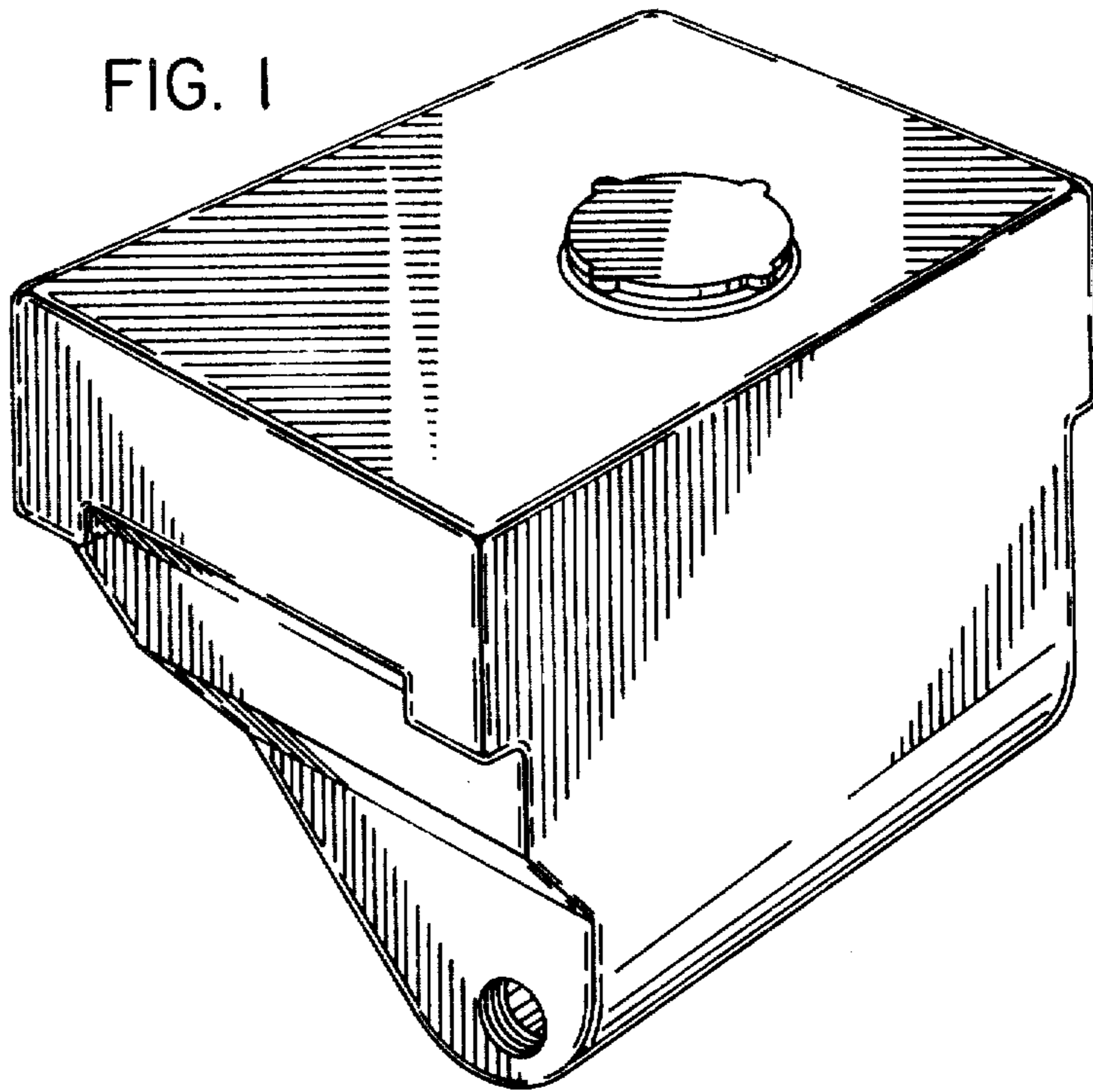


FIG. 2

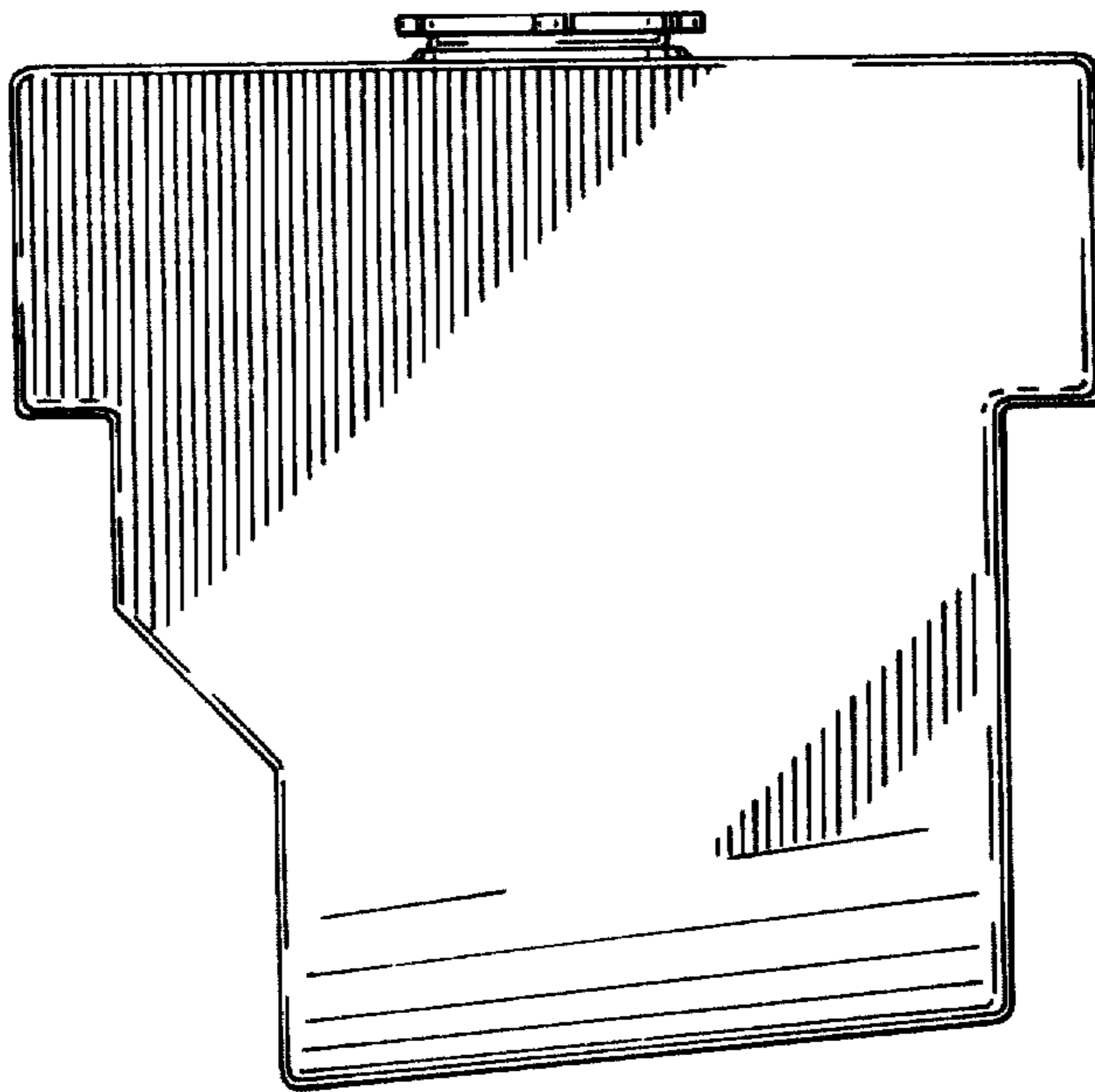


FIG. 3

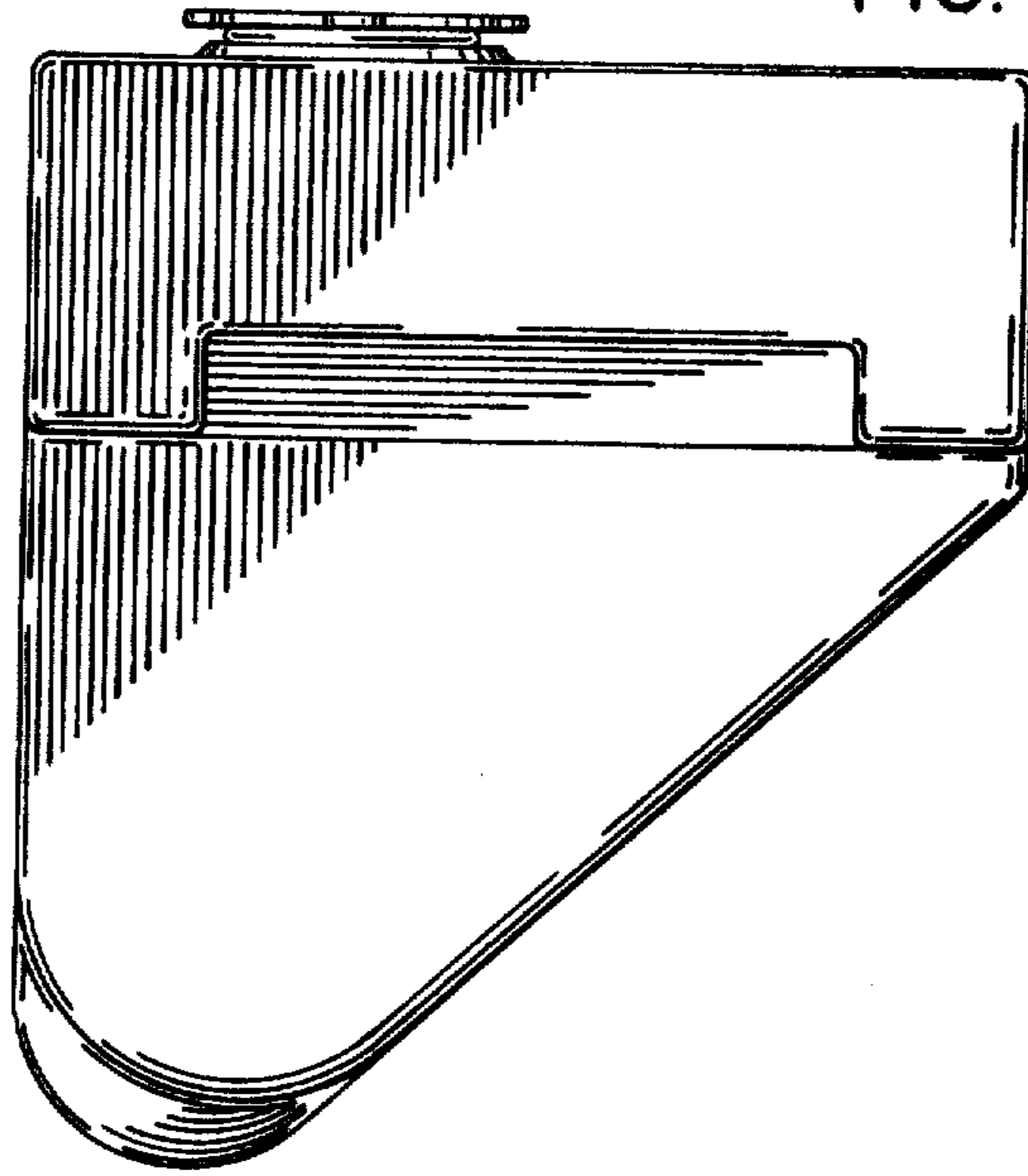


FIG. 4

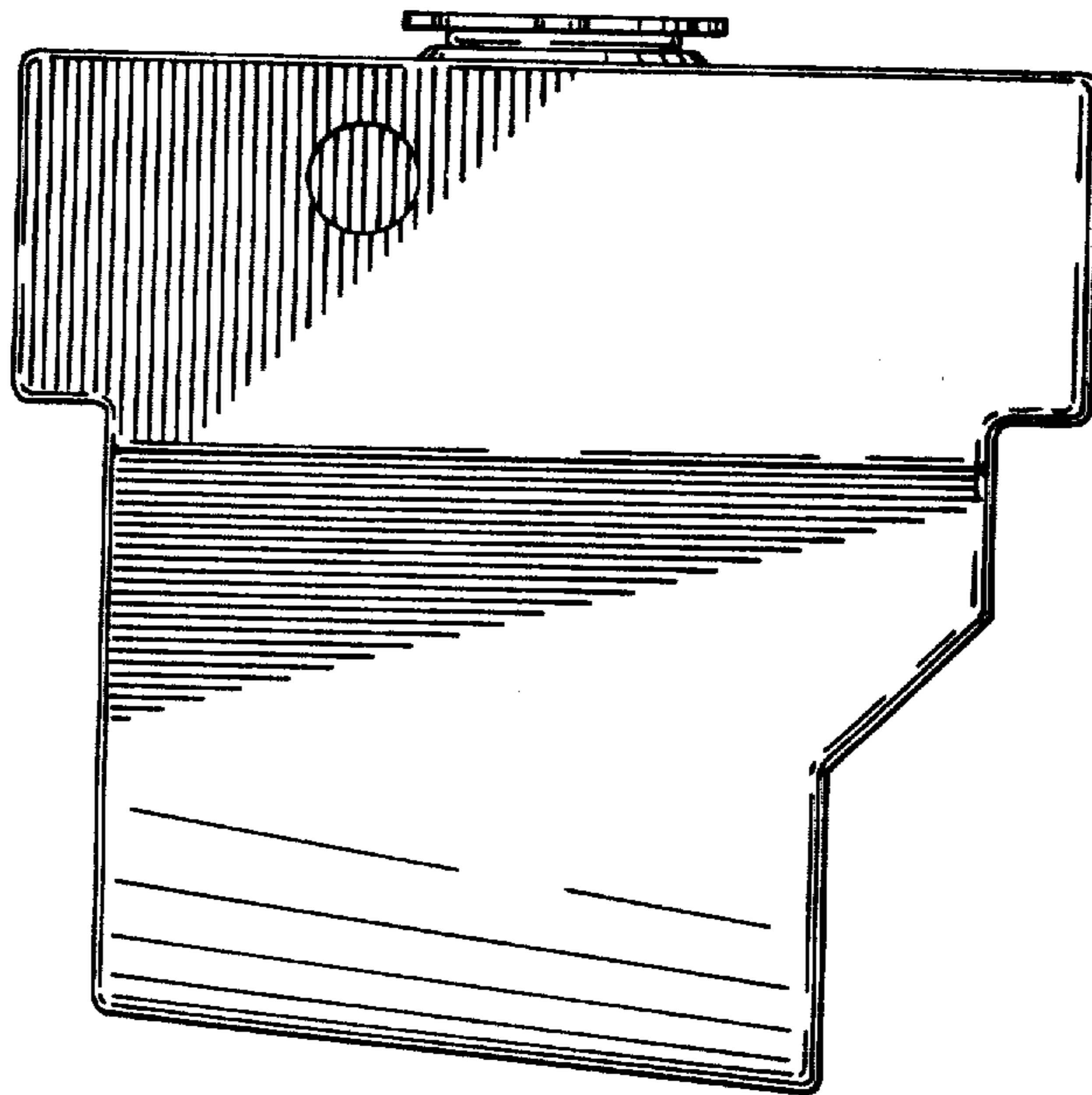


FIG. 5

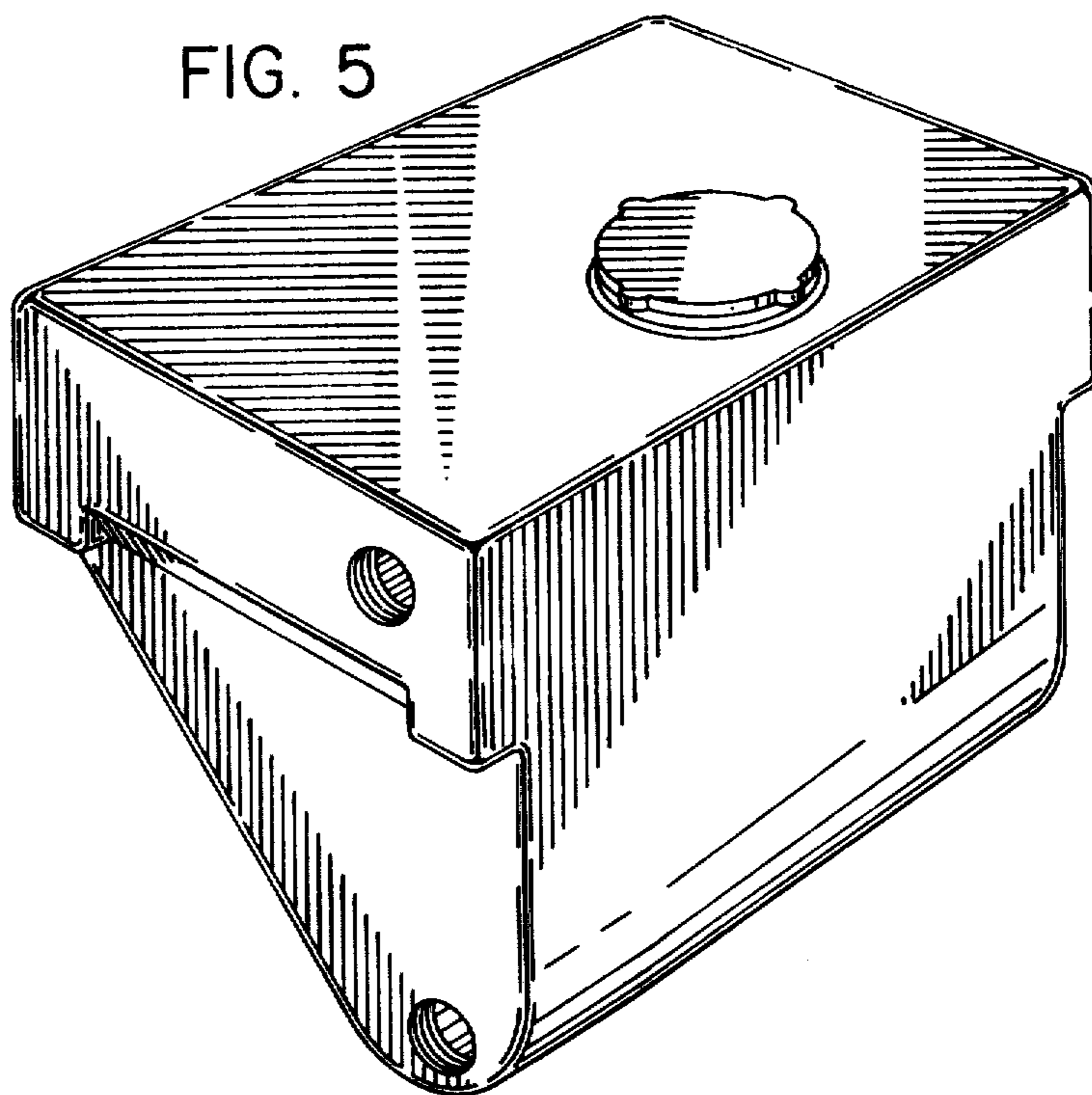


FIG. 6

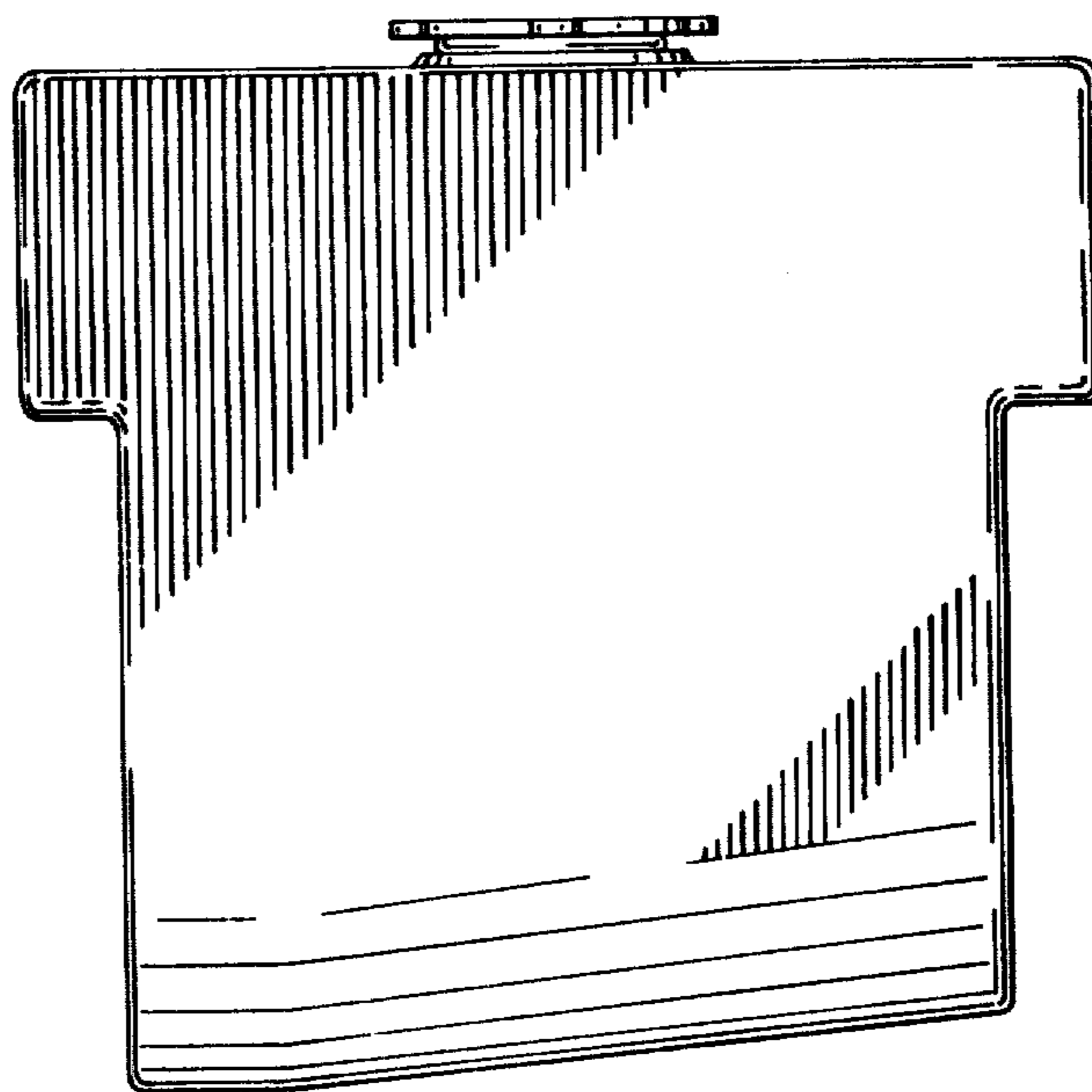


FIG. 7

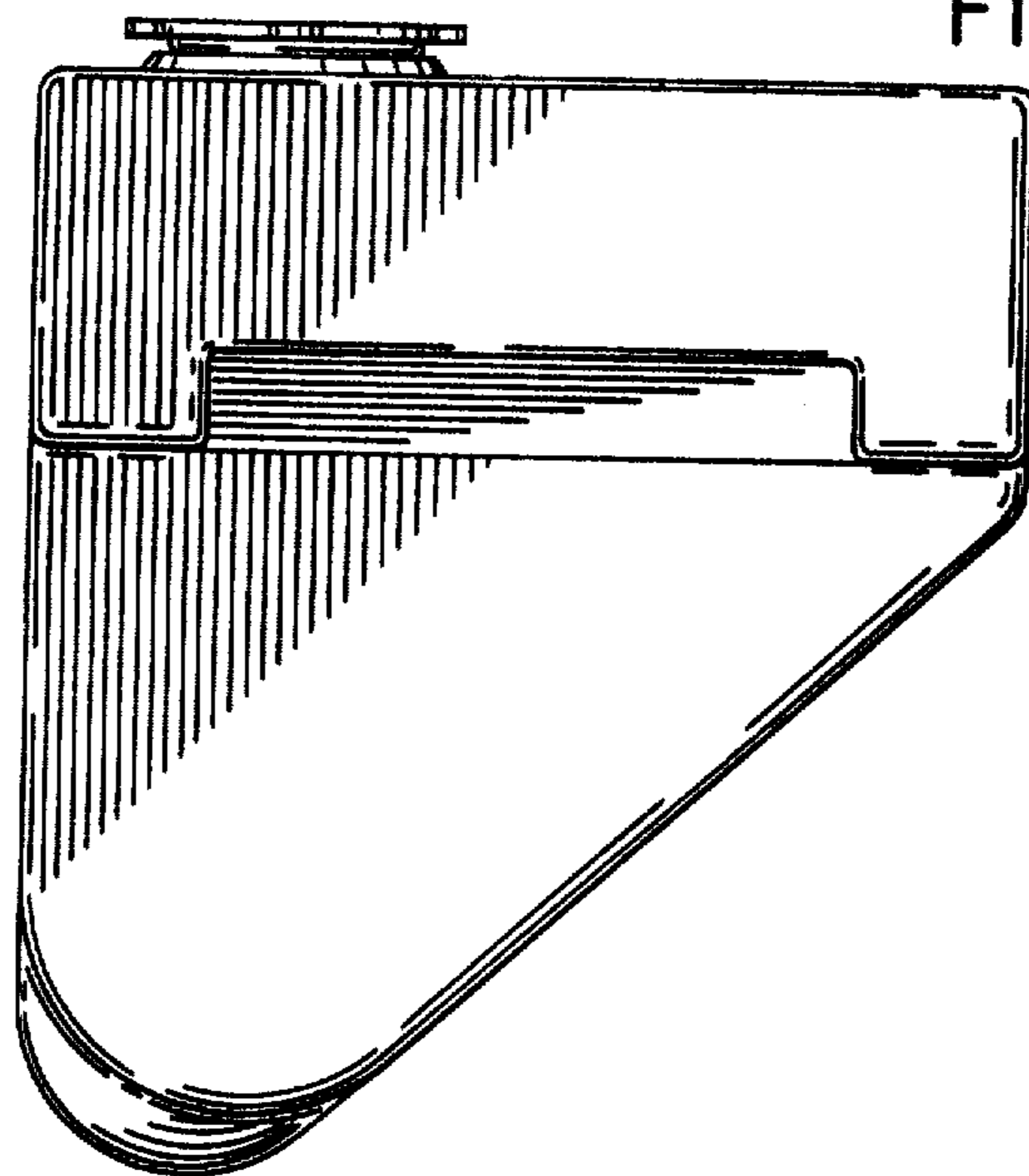


FIG. 8

