

[54] **GOLF CLUB HEAD**

[76] Inventor: **Rolf S. Olsson**, P.O. Box 120, 237 00
Bjarred, Sweden

[**] Term: **14 Years**

[21] Appl. No.: **331,450**

[22] Filed: **Dec. 16, 1981**

[30] **Foreign Application Priority Data**

Jun. 22, 1981 [SE] Sweden 81-1420

[51] Int. Cl. **D21-02**

[52] U.S. Cl. **D21/218**

[58] Field of Search **D21/214-220;**
273/164, 167-175

[56]

References Cited

U.S. PATENT DOCUMENTS

3,876,211 4/1975 Caligiuri 273/164

OTHER PUBLICATIONS

The Gateway to Golf Cat. of Wilson-Western Sporting Goods Co., 1926, p. 29, middle Putter.
Ram Golf Equipment Cat., 1971-1972, p. 20, middle right, Putter No. 130940.

Primary Examiner—Melvin B. Feifer

[57]

CLAIM

The ornamental design for a golf club head, as shown and described.

DESCRIPTION

FIG. 1 is a perspective view of a golf club head showing my new design; and
FIG. 2 is a perspective view of the opposite side.

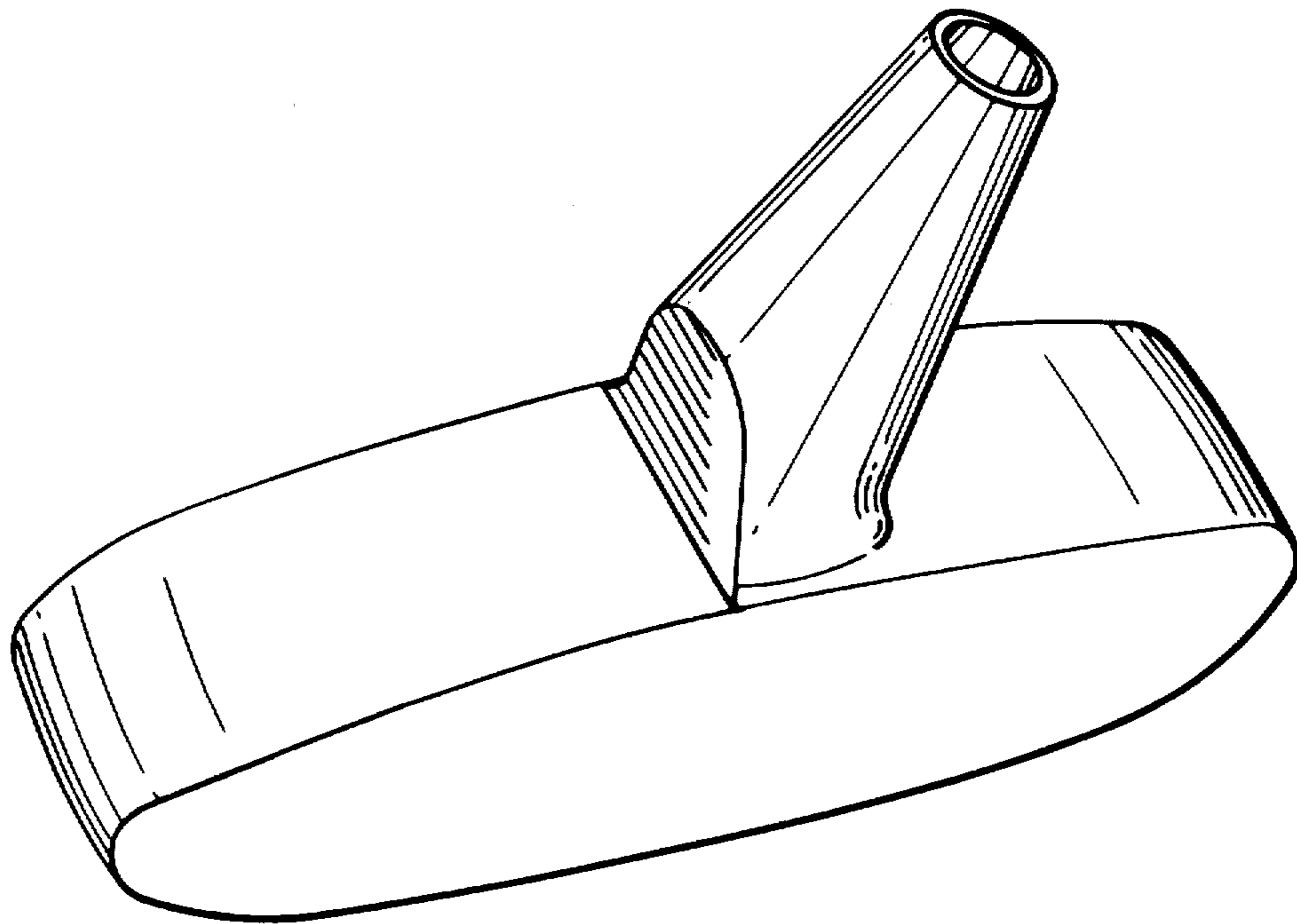


FIG. 1

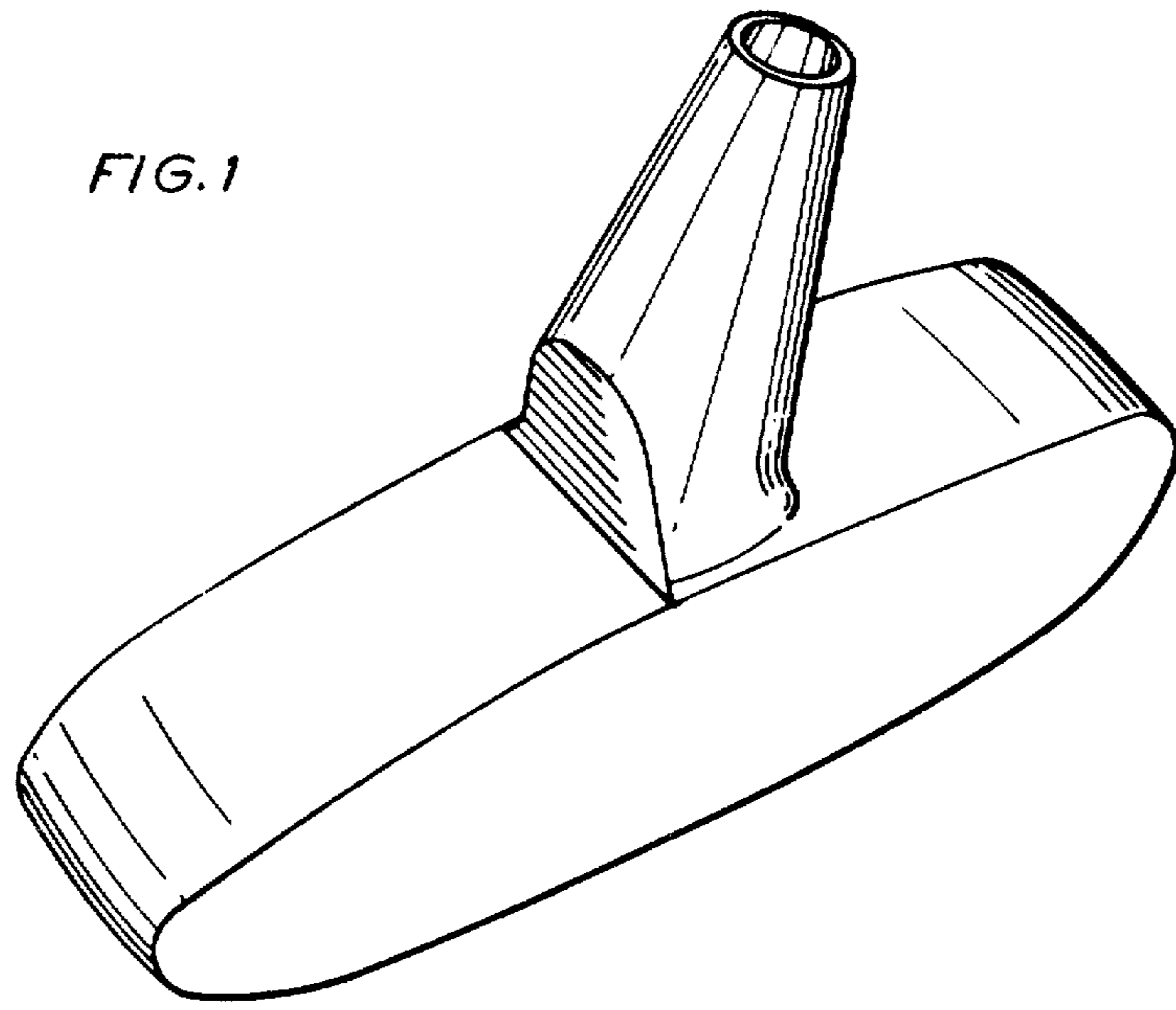


FIG. 2

