

[54] COMBINED TOY SEWING MACHINE AND CASE THEREFOR

[76] Inventor: Peter W. Balderston, 17 Lulworth Ct., Kimberley, Nottinghamshire, England

[**] Term: 14 Years

[21] Appl. No.: 266,050

[22] Filed: May 21, 1981

[30] Foreign Application Priority Data

Dec. 4, 1980 [GB] United Kingdom 997882

[51] Int. Cl. D21-01

[52] U.S. Cl. D21/122; D15/70

[58] Field of Search D15/69, 70, 72, 75; 46/39, 40, 174.1 R; D21/59, 64, 109, 120, 122, 124

[56] References Cited

U.S. PATENT DOCUMENTS

D. 191,423 9/1961 Morse D15/69

D. 206,013 10/1966 Kuramochi D21/122

D. 208,713 9/1967 Utrecht D21/112

D. 218,717 9/1970 Fresard D15/70

D. 224,943 10/1972 Fresard D15/70

Primary Examiner—Charles A. Rademaker
Attorney, Agent, or Firm—Kirschstein, Kirschstein, Ottinger & Cobrin

[57] CLAIM

The ornamental design for a combined toy sewing machine and case therefor, as shown and described.

DESCRIPTION

FIG. 1 is a front right perspective view of a combined toy sewing machine and case therefor showing my new design with the lid in a raised condition and the sewing machine in a lowered position;

FIG. 2 is another front right perspective view thereof with the sewing machine in a raised position;

FIG. 3 is another front right perspective view thereof shown on an enlarged scale with the lid in a closed position;

FIG. 4 is a left side elevational view thereof; and

FIG. 5 is a rear elevational view thereof.

The side opposite to that shown in FIG. 3 is substantially a mirror image of that shown in FIG. 3.

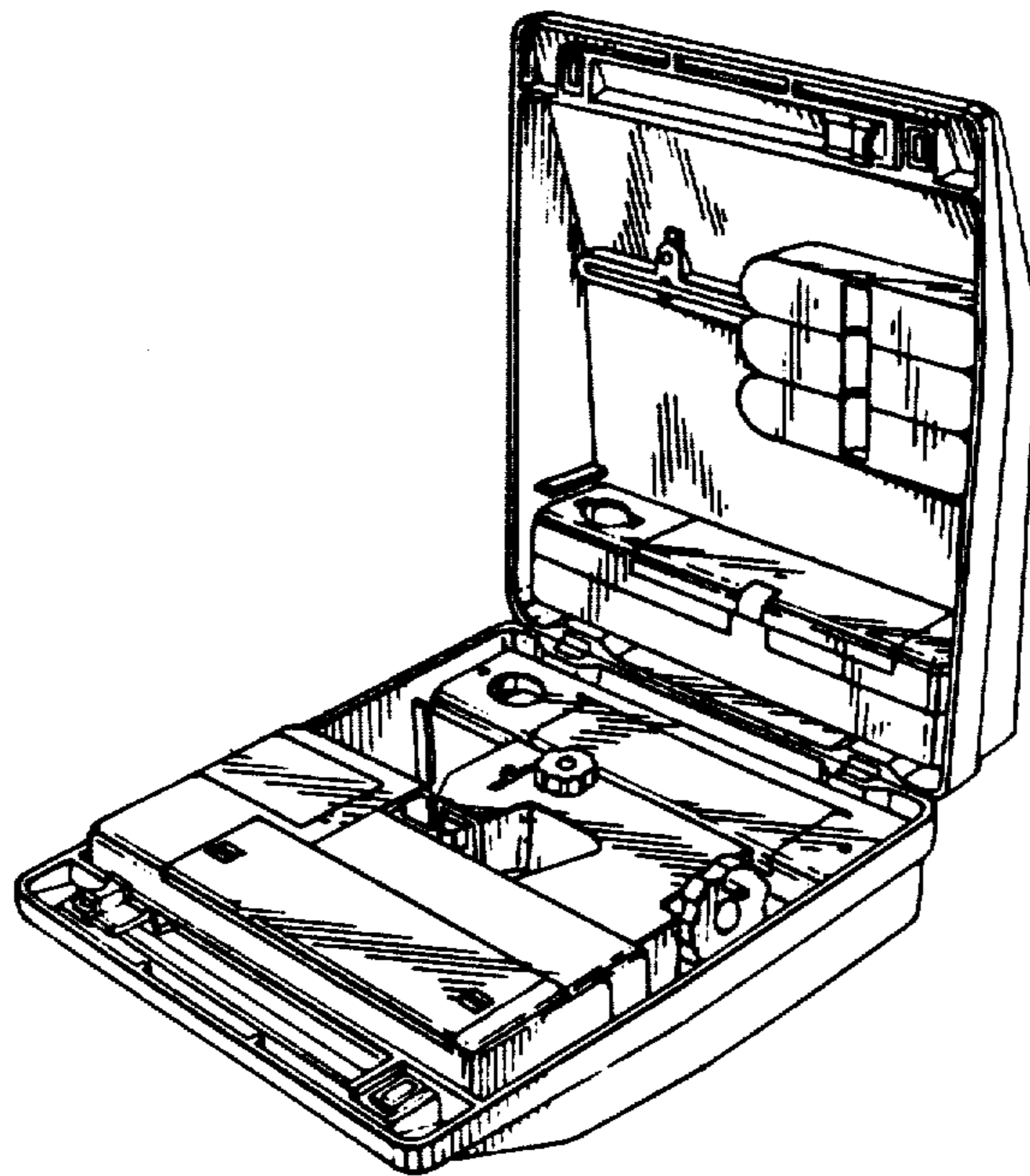


FIG. 1

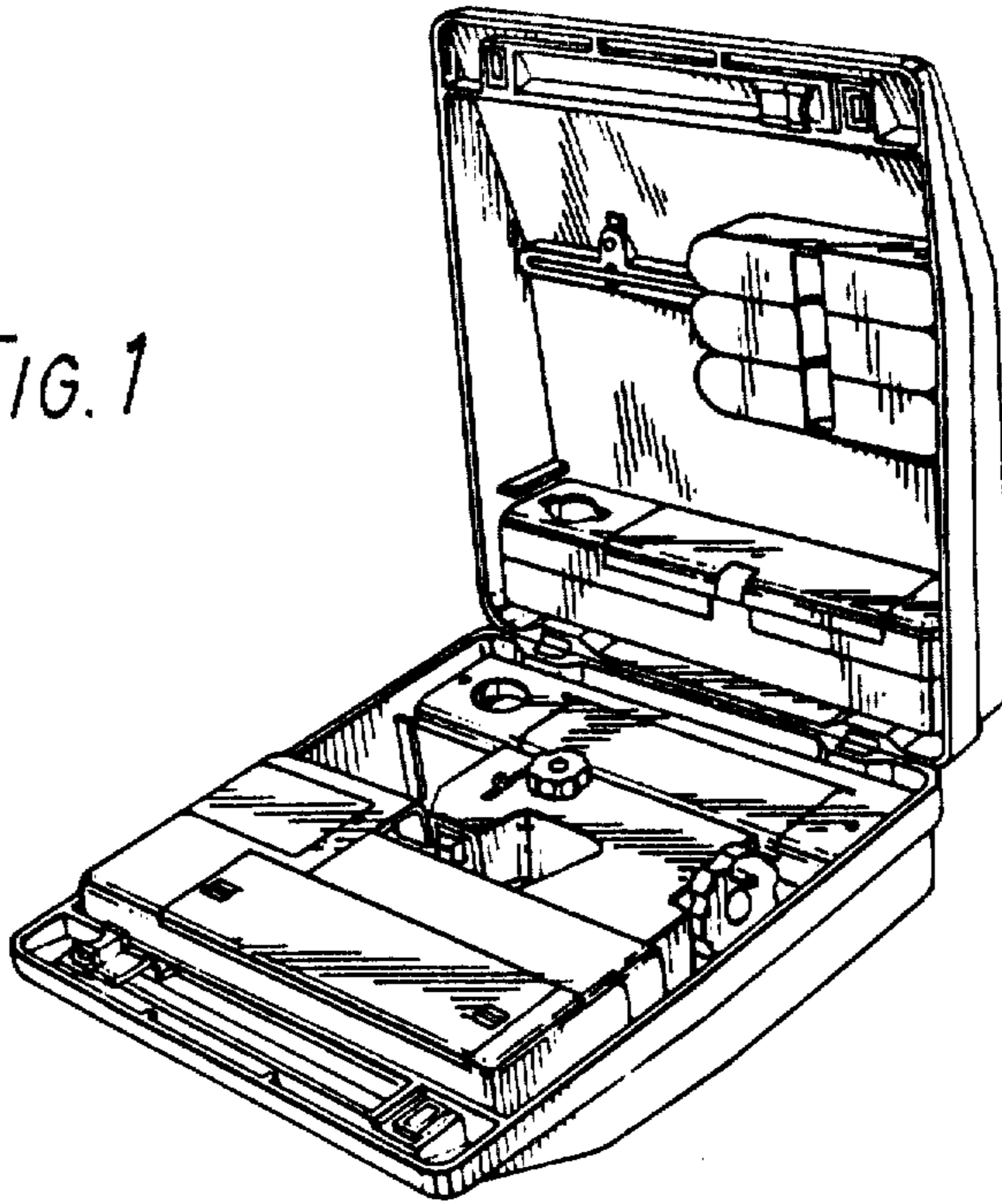


FIG. 2

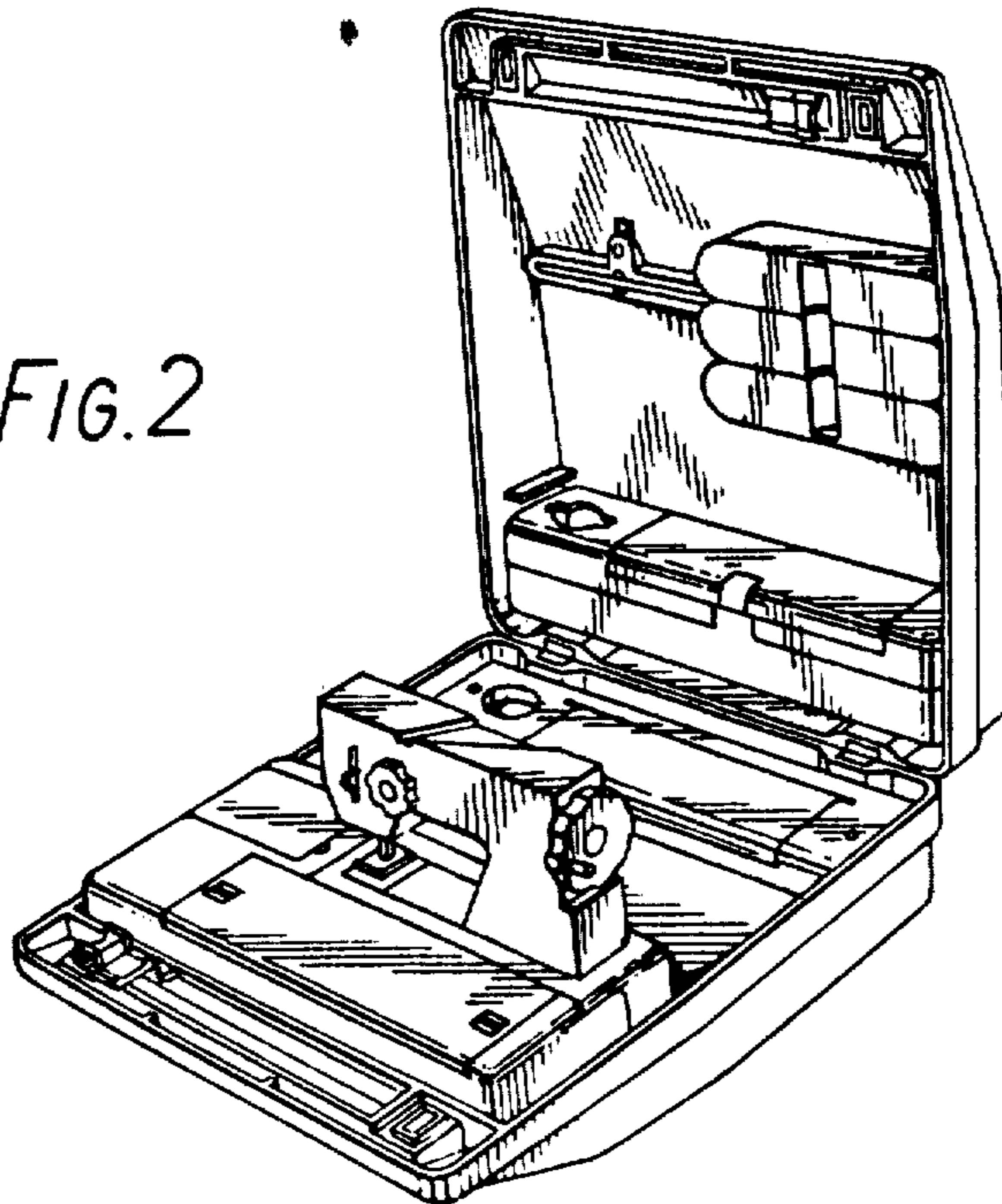


FIG. 3

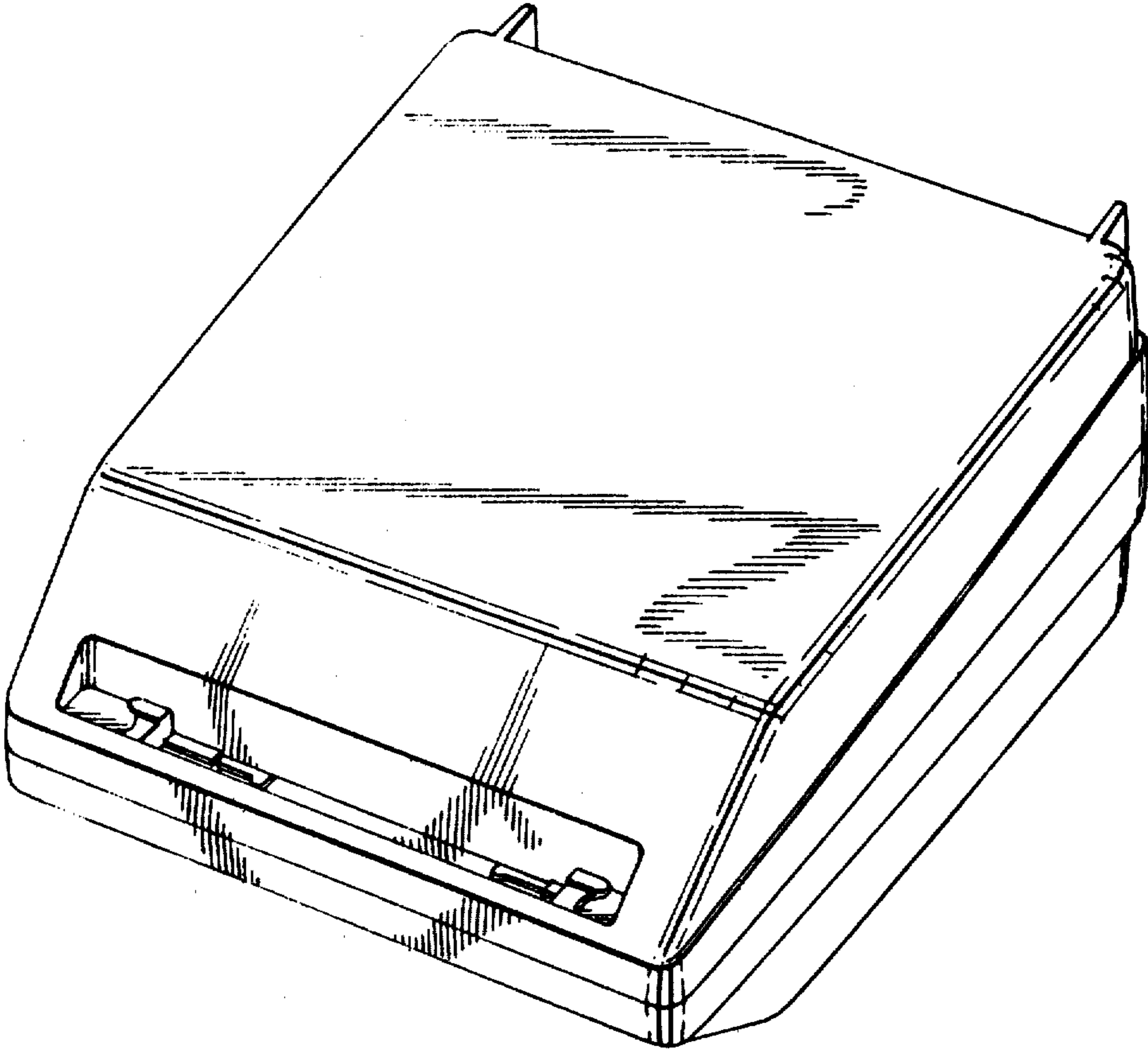


FIG. 4

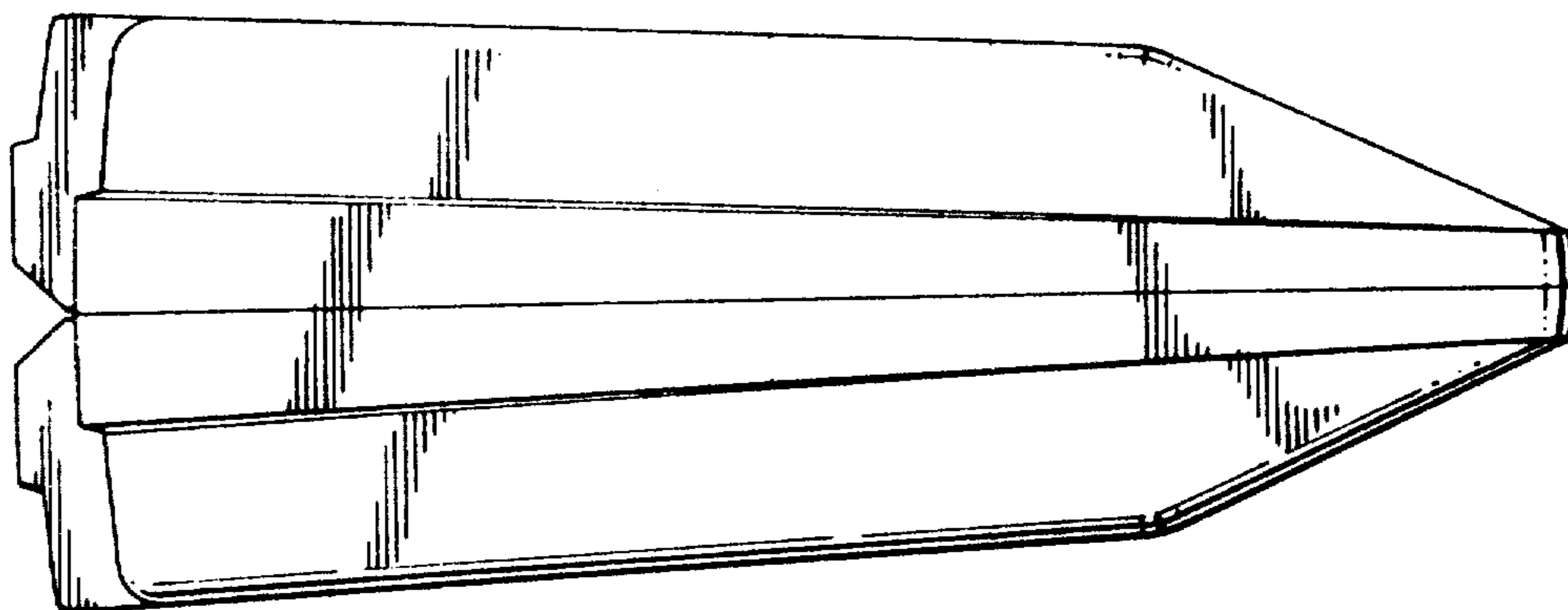


FIG. 5

