

[54] **WHEELED TRUNDLE TOY**  
[76] Inventor: **Robert Wood**, 6010 Cable Ave.,  
Camp Springs, Md.

[\*\*] Term: **14 Years**

[21] Appl. No.: **250,672**

[22] Filed: **Apr. 3, 1981**

[51] Int. Cl. .... **D21-01**

[52] U.S. Cl. .... **D21/71**

[58] Field of Search ..... **D21/71, 73, 76, 78,**  
**D21/80, 81; 46/205; 280/87.01**

[56] **References Cited**

**U.S. PATENT DOCUMENTS**

D. 234,617 3/1975 Lamb ..... **D21/71**

1,421,985 7/1922 Orussa ..... 46/205  
2,800,745 7/1957 Zalkind ..... 46/205

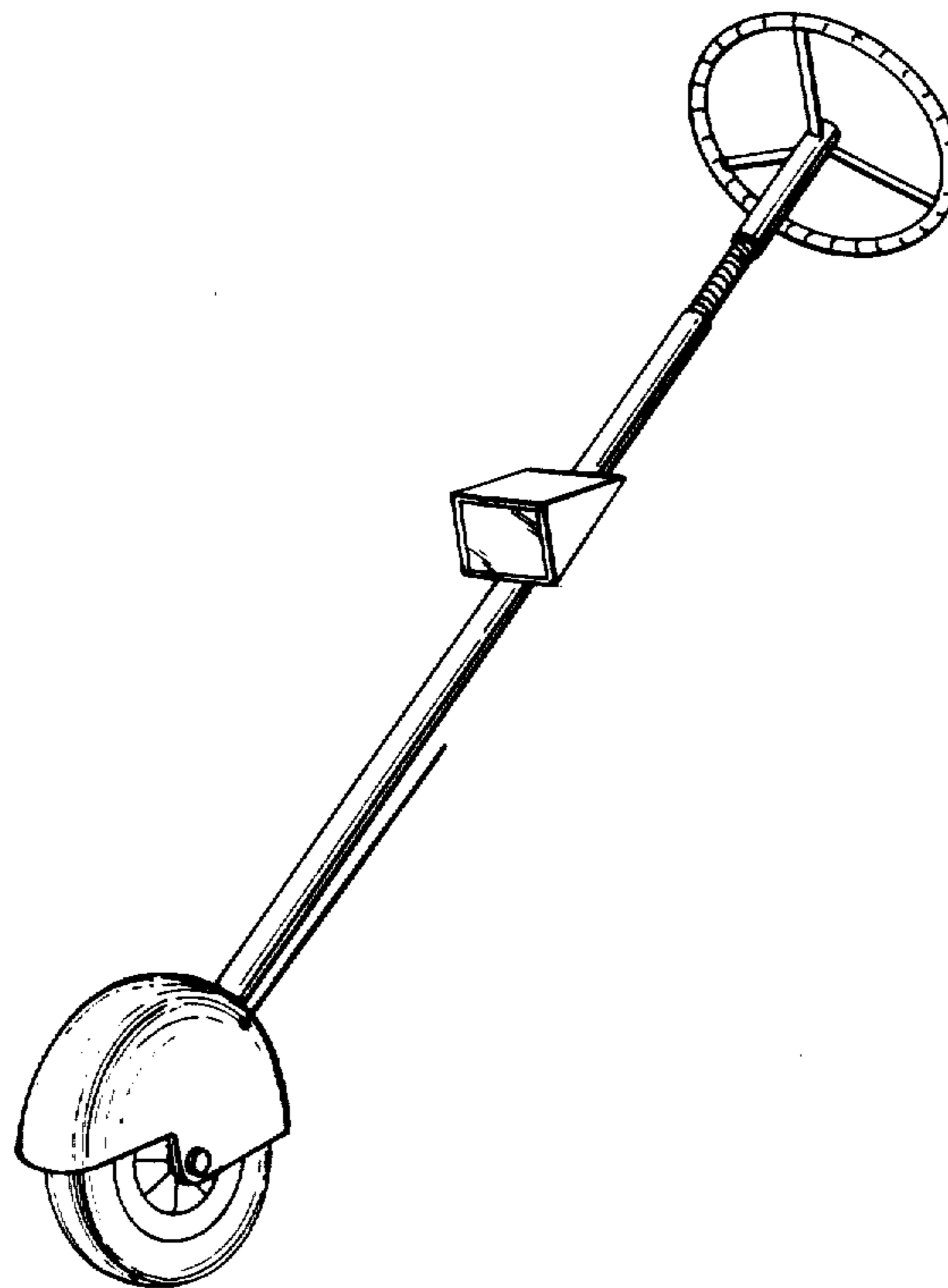
*Primary Examiner*—Charles A. Rademaker  
*Attorney, Agent, or Firm*—Wenderoth, Lind & Ponack

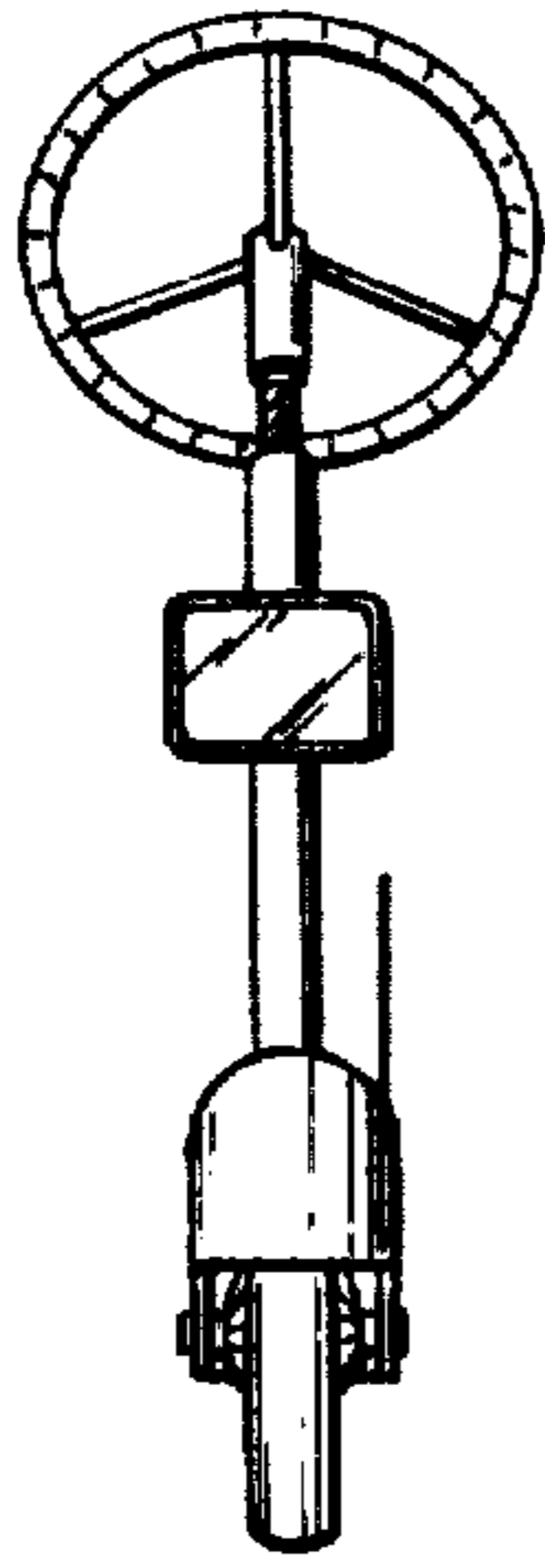
[57] **CLAIM**

The ornamental design for a wheeled trundle toy, substantially as shown.

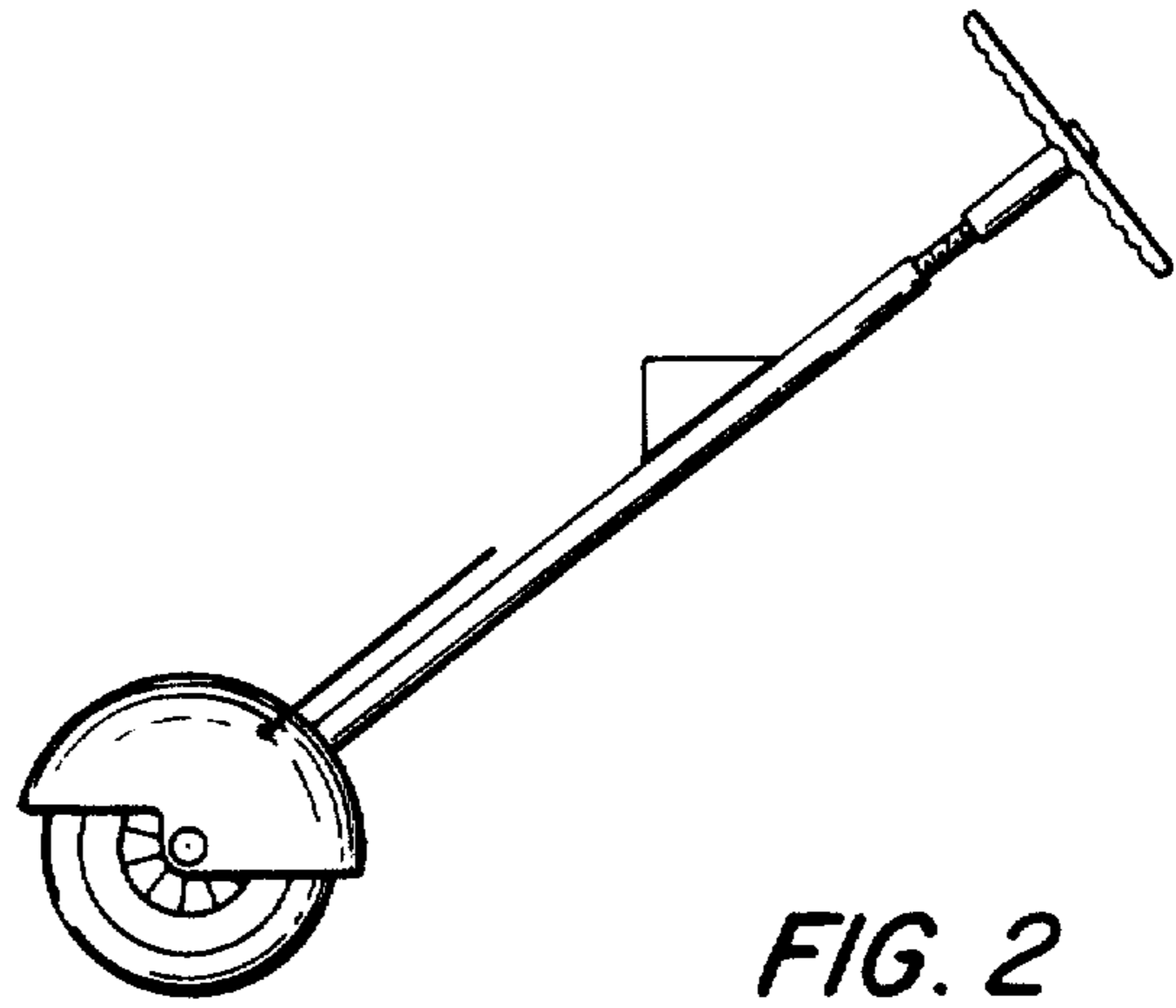
**DESCRIPTION**

FIG. 1 is a front elevational view of a wheeled trundle toy showing my new design;  
FIG. 2 is a side elevational view thereof;  
FIG. 3 is a front perspective view thereof shown on an enlarged scale;  
FIG. 4 is a top plan view thereof; and  
FIG. 5 is a rear elevational view thereof.

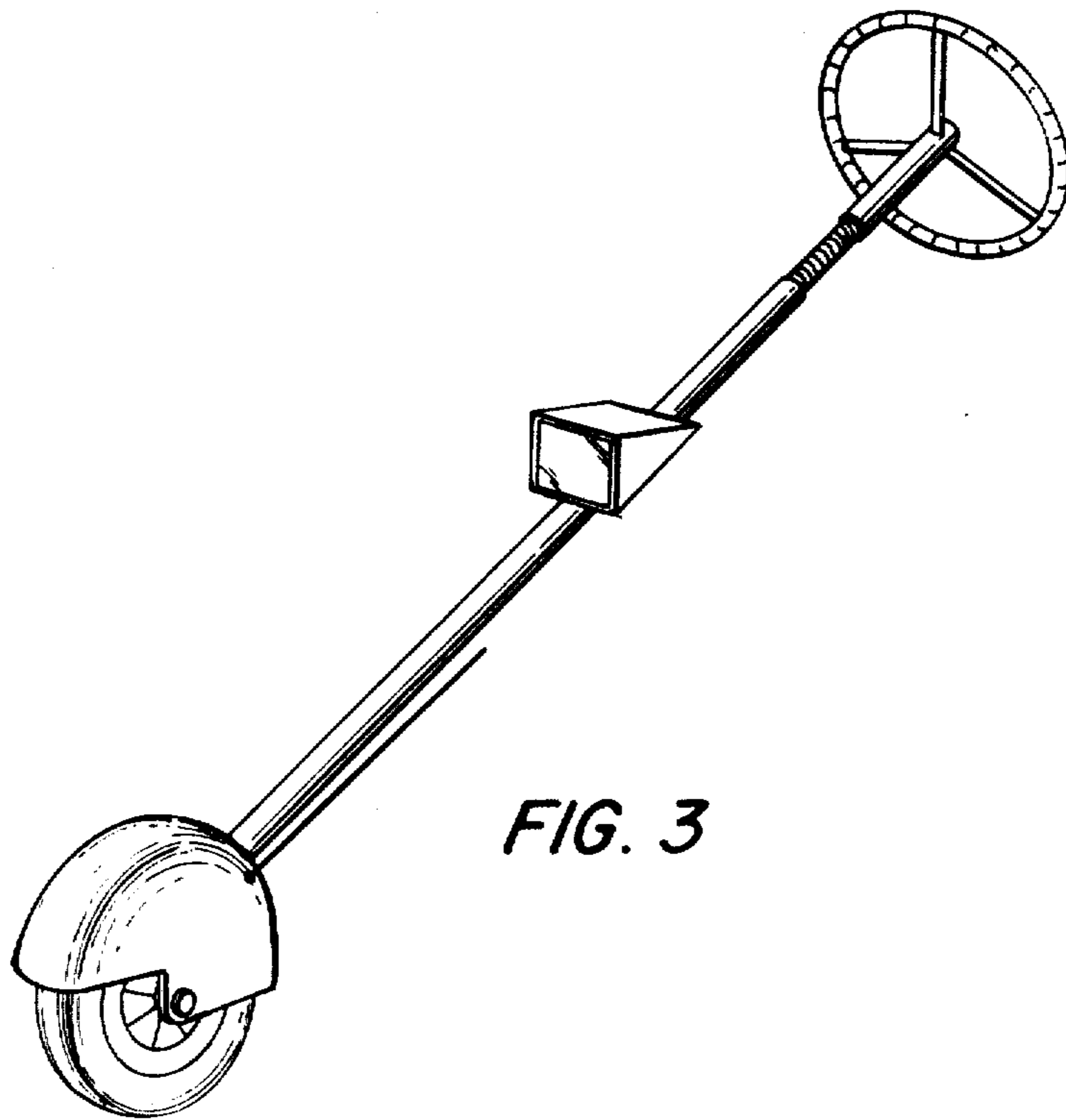




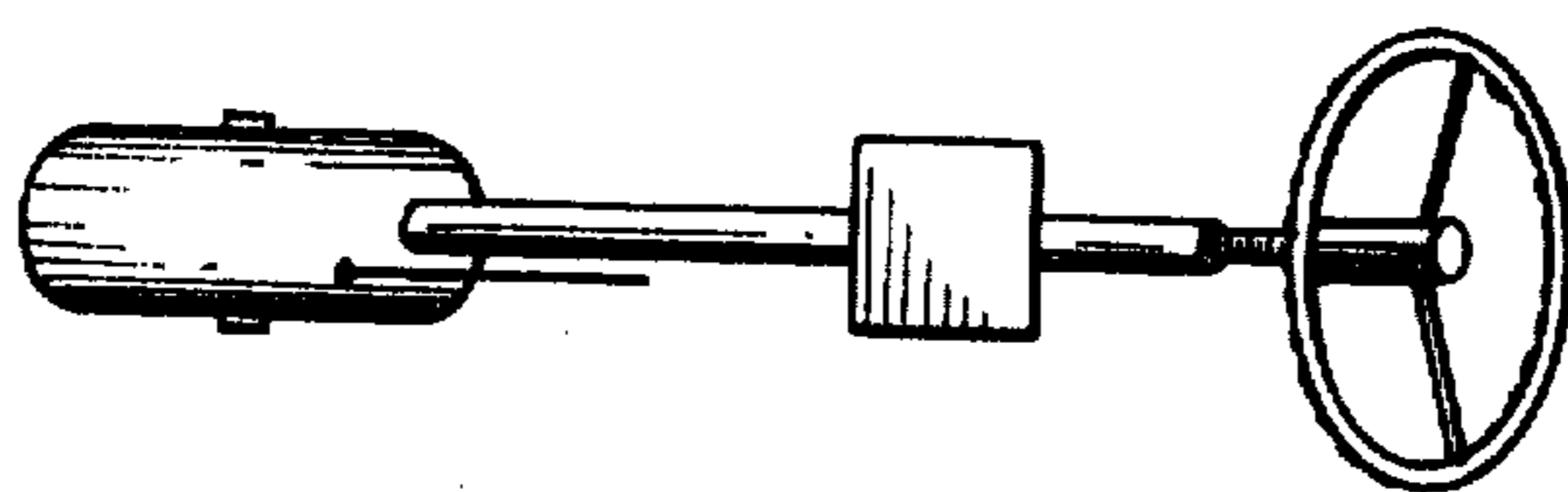
*FIG. 1*



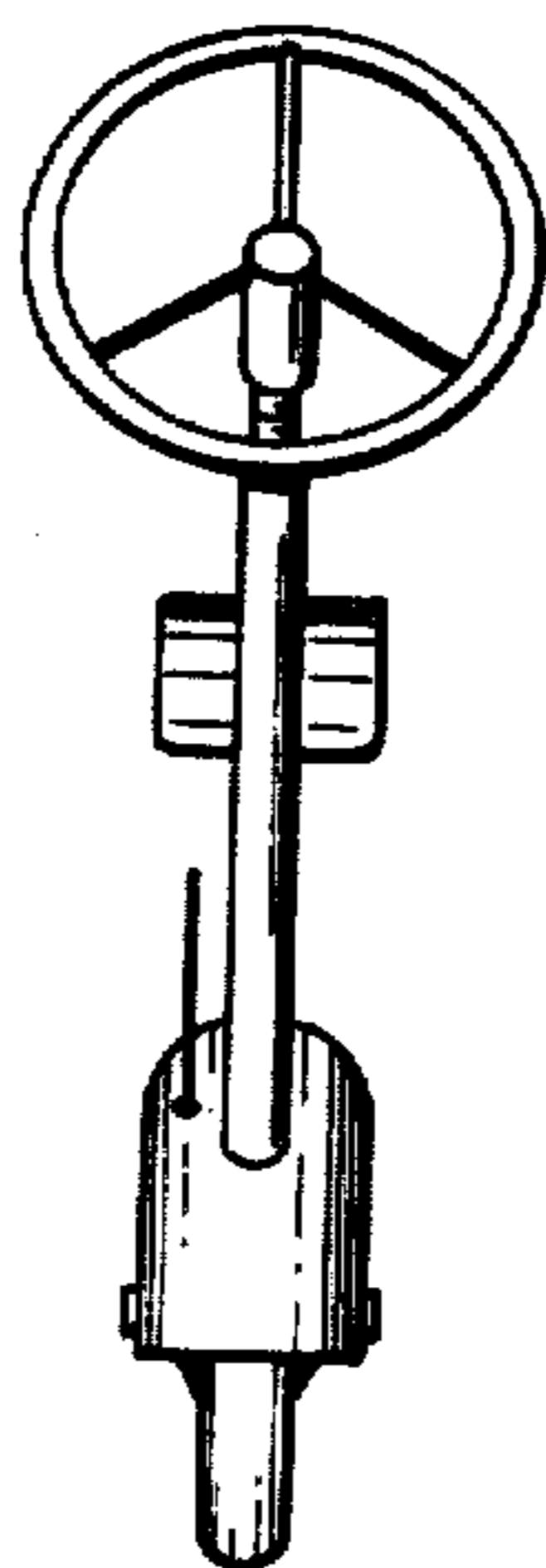
*FIG. 2*



*FIG. 3*



*FIG. 4*



*FIG. 5*