

[54] **ACOUSTIC COUPLER ADAPTER**

[75] **Inventors:** Donald M. Genaro, Haworth, N.J.;
Gordon E. Sylvester, Jamaica, N.Y.;
G. Varadarajan, East Windsor, N.J.

[73] **Assignee:** Bell Telephone Laboratories,
Incorporated, Murray Hill, N.J.

[**] **Term:** 14 Years

[21] **Appl. No.:** 308,508

[22] **Filed:** Oct. 5, 1981

[51] **Int. Cl.** D14-103

[52] **U.S. Cl.** D14/57; D14/101

[58] **Field of Search** 179/1 C, 1 DP; D14/57,
D14/52, 63, 64, 101

[56] **References Cited**

U.S. PATENT DOCUMENTS

D. 239,364	4/1976	Chadima, Jr. et al.	D14/101
D. 245,602	8/1977	Genaro et al.	D14/63
D. 256,465	8/1980	Tyler	D14/63
D. 265,992	8/1982	Hirata et al	D14/101 X
3,976,840	8/1976	Cleveland et al.	179/2 DP

Primary Examiner—Bernard Ansher
Attorney, Agent, or Firm—David H. Tannenbaum

[57] **CLAIM**

The ornamental design for an acoustic coupler adapter, substantially as shown and described.

DESCRIPTION

FIG. 1 is a top perspective view of an acoustic coupler, showing our new design;
FIG. 2 is a front elevation view thereof;
FIG. 3 is a rear elevation view thereof;
FIG. 4 is a top plan view thereof;
FIG. 5 is a bottom plan view thereof;
FIG. 6 is a left elevation view thereof; and
FIG. 7 is a right elevation view thereof.

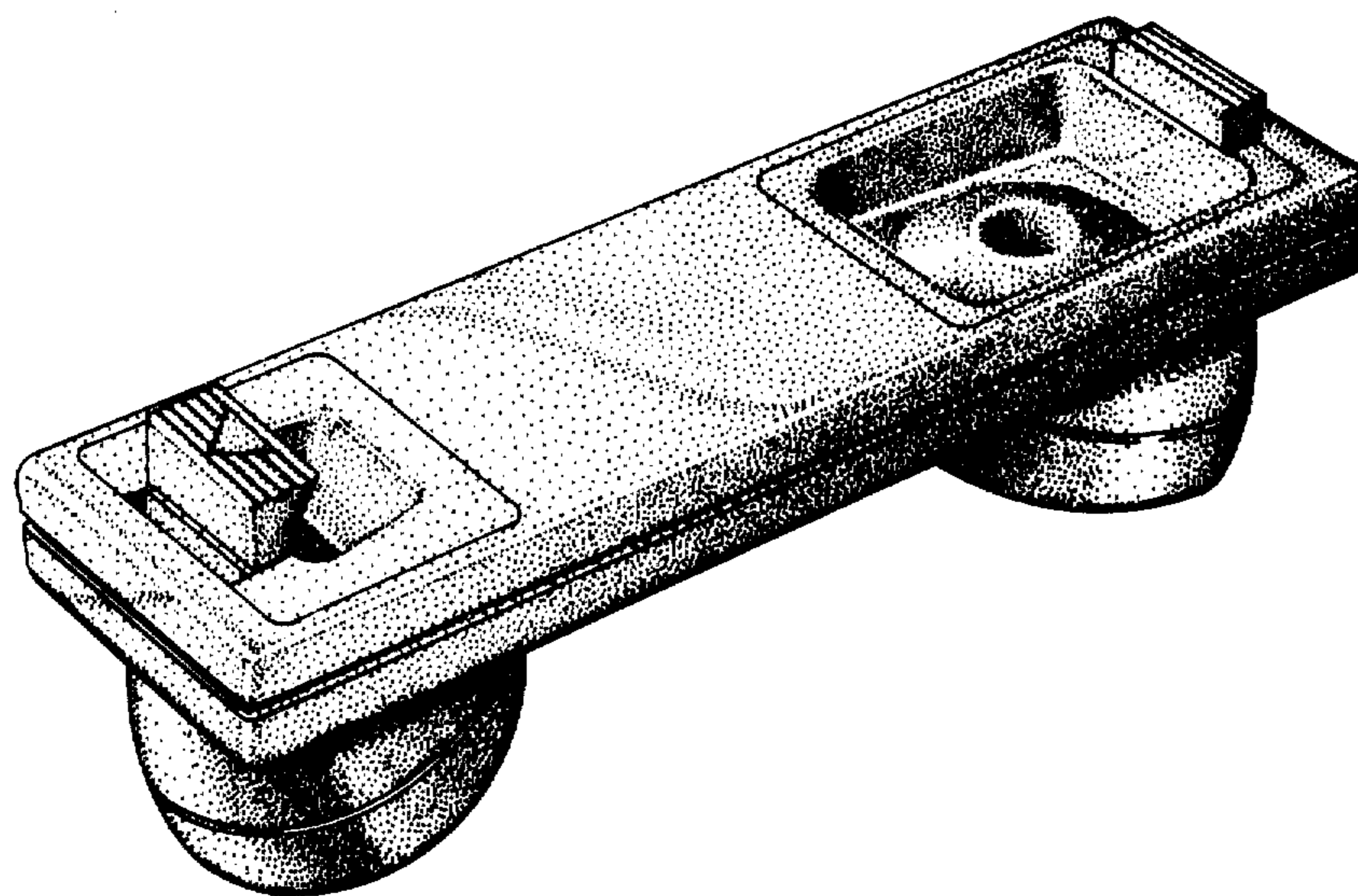


FIG. 1

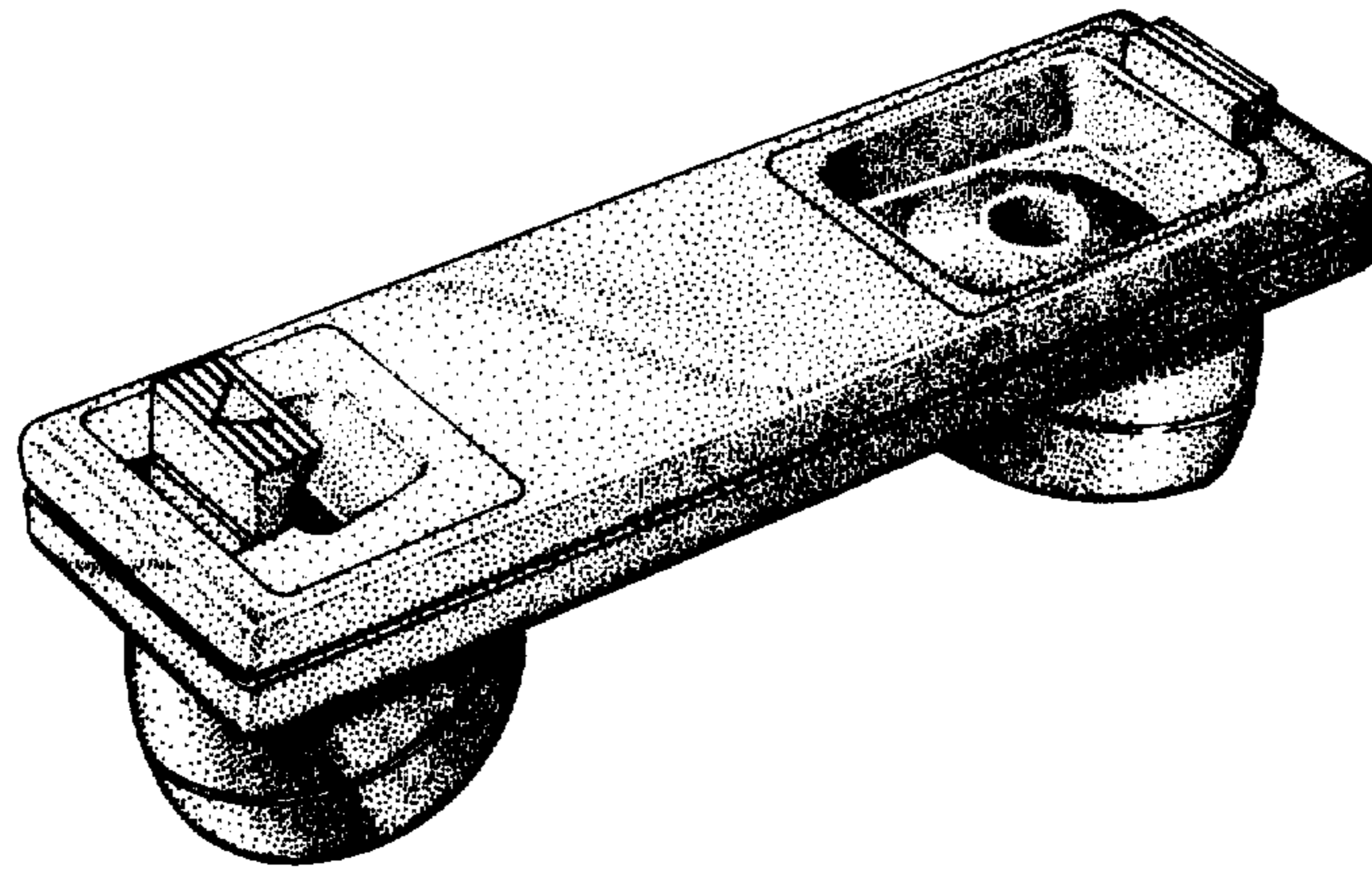


FIG. 2

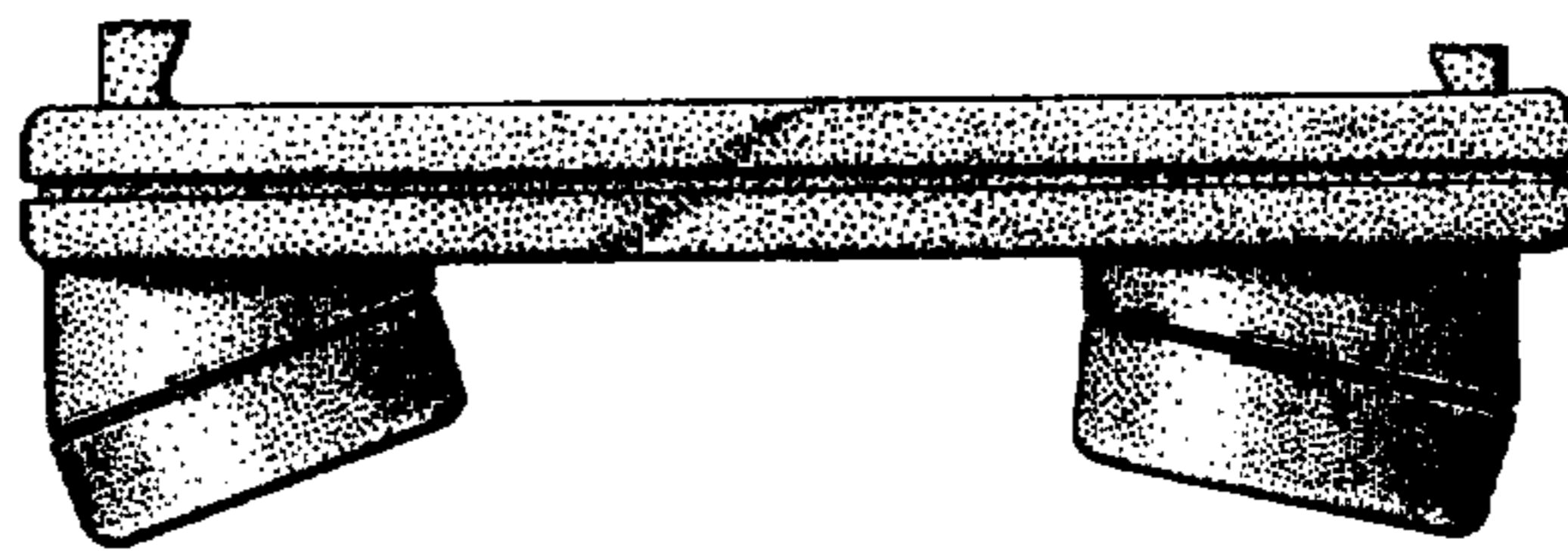


FIG. 3

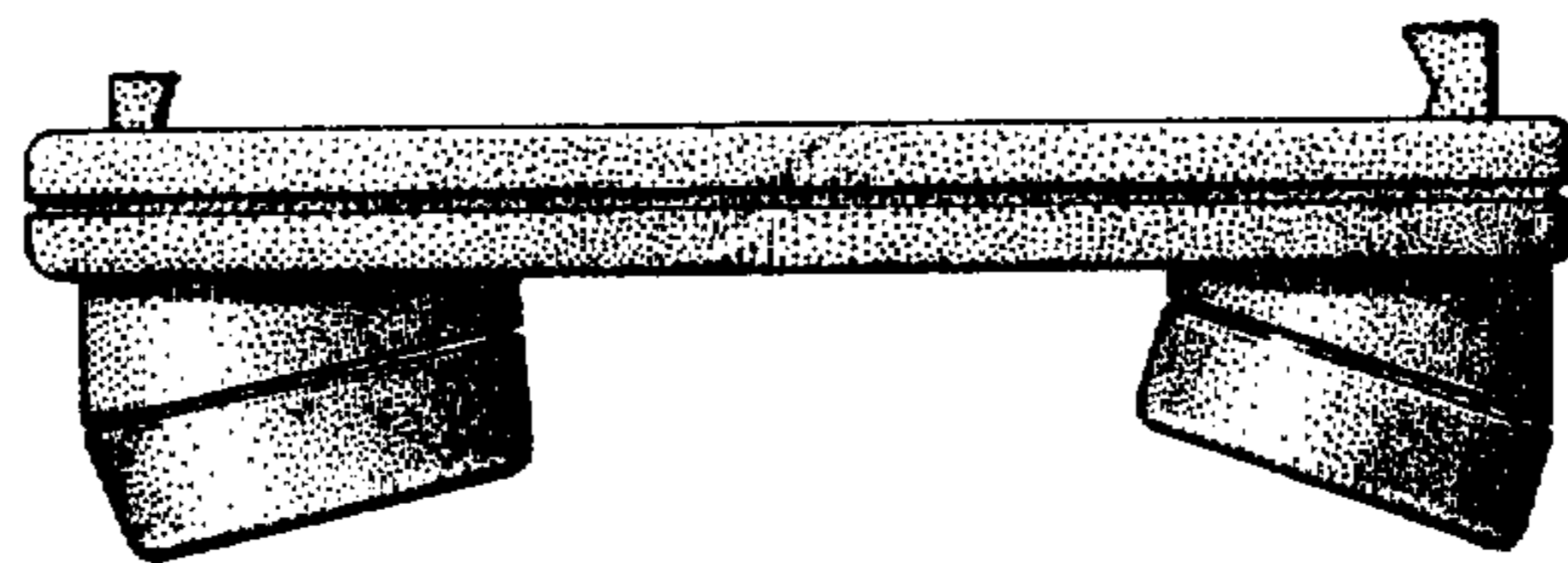


FIG. 4

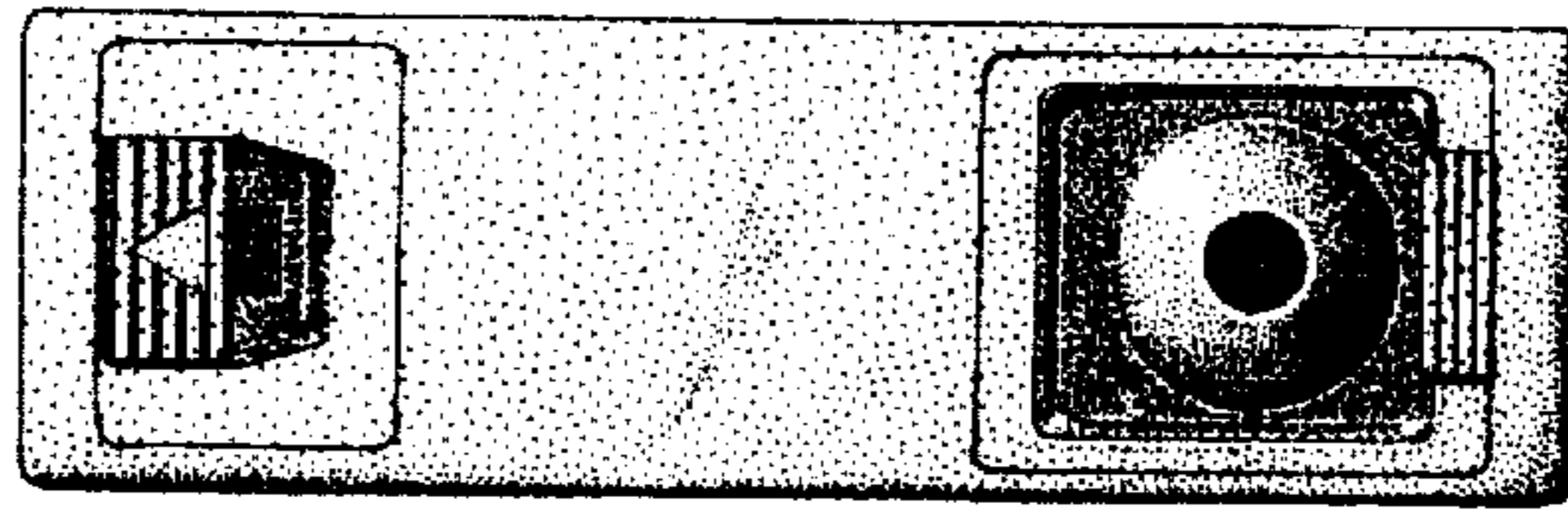


FIG. 5

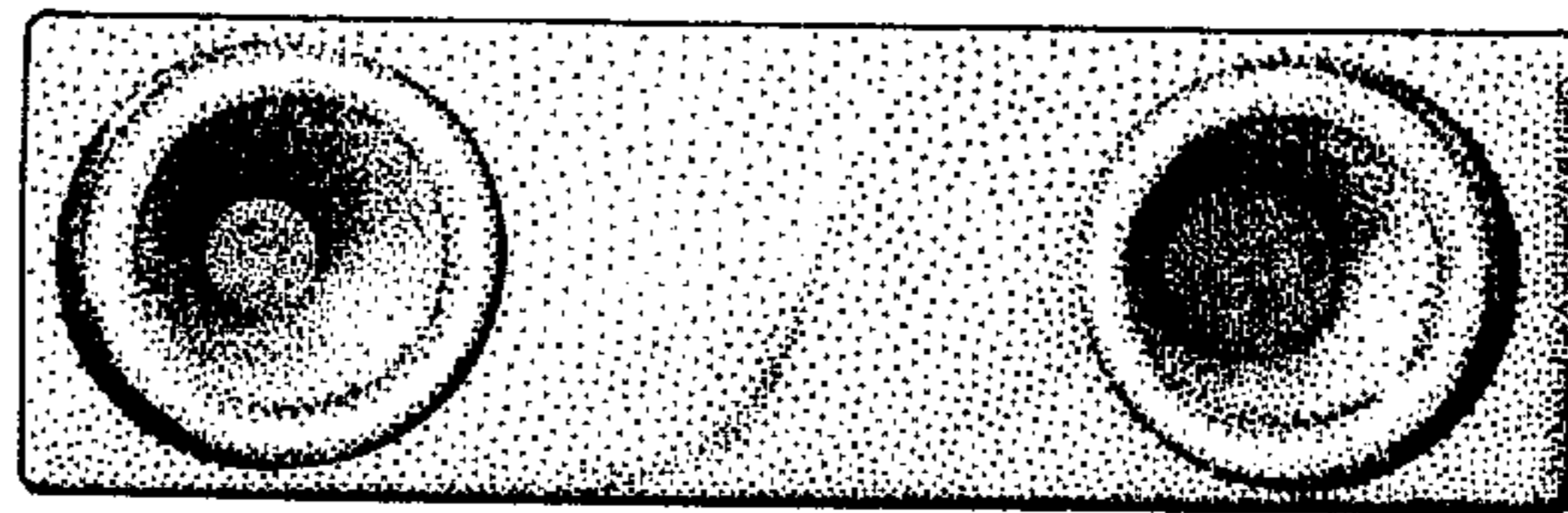


FIG. 6

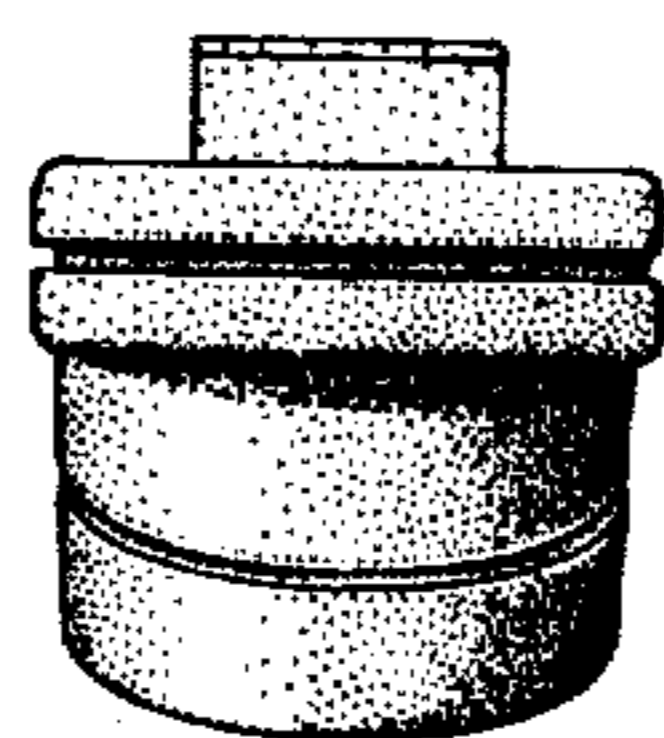


FIG. 7

