

[54] **BOAT PLATFORM**

[76] **Inventor:** Steven Alden, 2819 Las Vegas Trail,
Fort Worth, Tex. 76116

[**] **Term:** 14 Years

[21] **Appl. No.:** 176,961

[22] **Filed:** Aug. 11, 1980

[51] **Int. Cl.** D12-06

[52] **U.S. Cl.** D12/318; D12/304

[58] **Field of Search** D12/317, 304, 318;
114/39, 61, 85

[56] **References Cited**

U.S. PATENT DOCUMENTS

D. 224,606 8/1972 Alter D12/304
D. 224,985 10/1972 Kostaecki D12/318
D. 237,372 10/1975 Cornwell D12/304
4,284,024 8/1981 Montgomery 114/39 X

Primary Examiner—Alan P. Douglas
Attorney, Agent, or Firm—James E. Bradley

[57] **CLAIM**

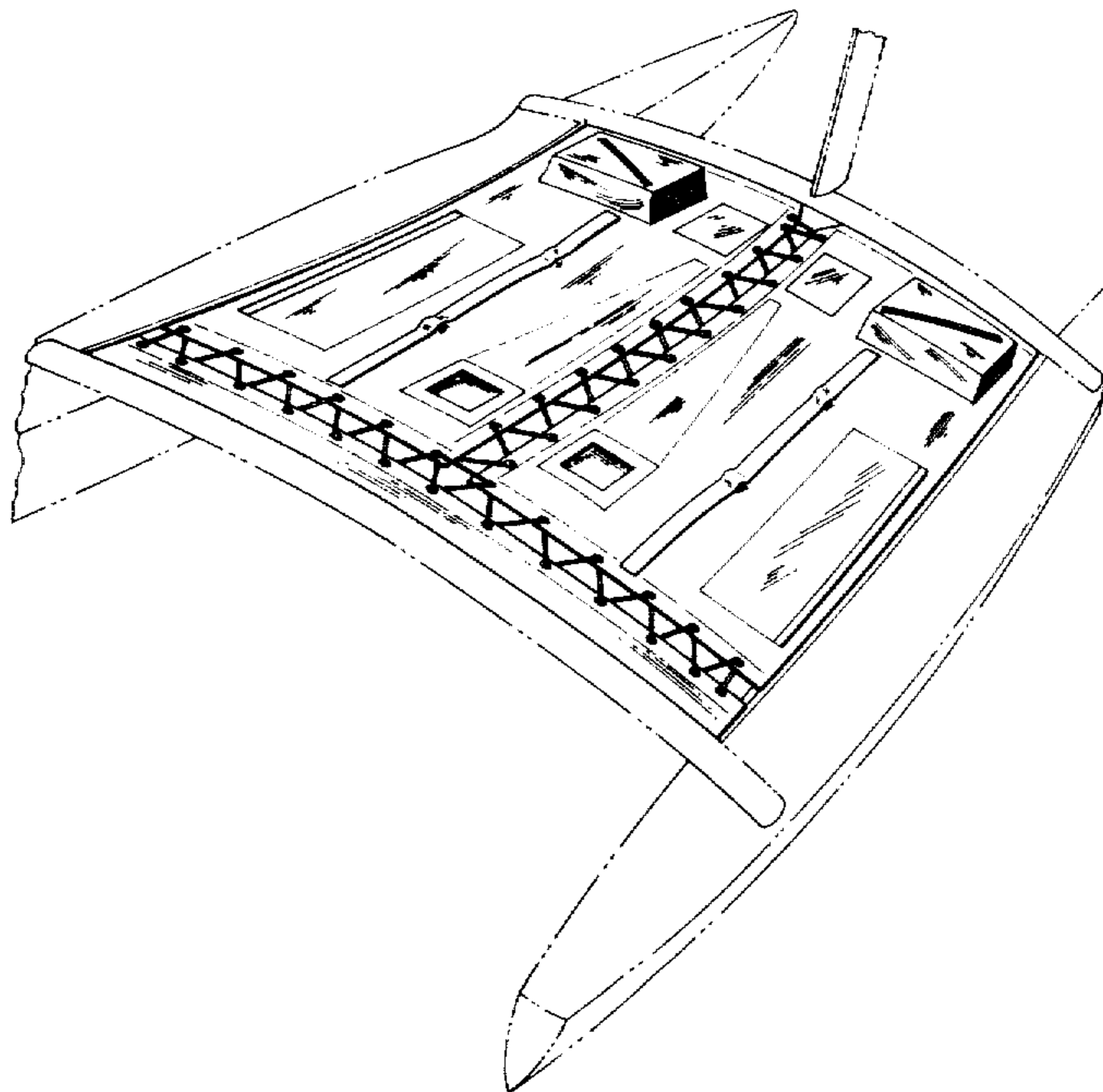
The ornamental design for a boat platform, as shown and described.

DESCRIPTION

FIG. 1 is a perspective view of a boat platform showing my new design with a portion of a boat shown in phantom for illustrative purposes only.

FIG. 2 is a side view of the boat platform.

FIG. 3 is a bottom view of the boat platform.



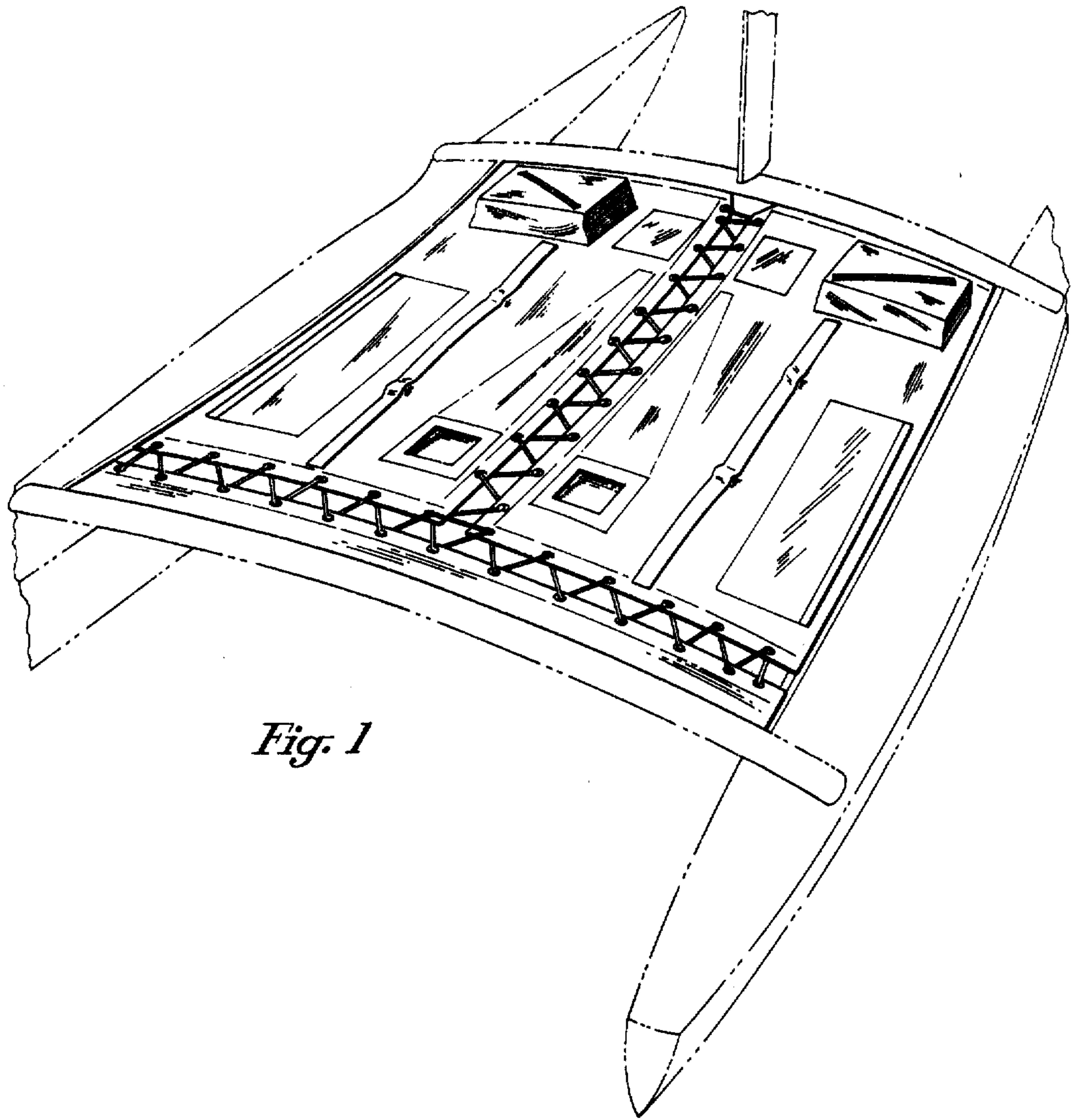


Fig. 1

Fig. 2



Fig. 3

