

[54] **SAMPLE HOLDER FOR A VIBRATING VISCOMETER**

[76] **Inventor:** Sanford L. Simons, 9188 S. Turkey Creek Rd., Morrison, Colo. 80465

[**] **Term:** 14 Years

[21] **Appl. No.:** 243,758

[22] **Filed:** Mar. 16, 1981

[51] **Int. Cl.** D10-05

[52] **U.S. Cl.** D10/84; D10/83; D24/8; D24/99

[58] **Field of Search** 73/54, 59; D10/83, 84; D24/8, 99

[56] **References Cited**

U.S. PATENT DOCUMENTS

D. 233,508 11/1974 Pinotti D10/84

D. 233,509 11/1974 McHone D10/84
D. 260,739 9/1981 Randolph D10/83
D. 262,360 12/1981 Aslan et al. D24/99 X
3,474,663 10/1969 Whitmer et al. 73/54
4,072,045 2/1978 Kopito 73/54
4,312,216 1/1982 Beaudoin et al. 73/54

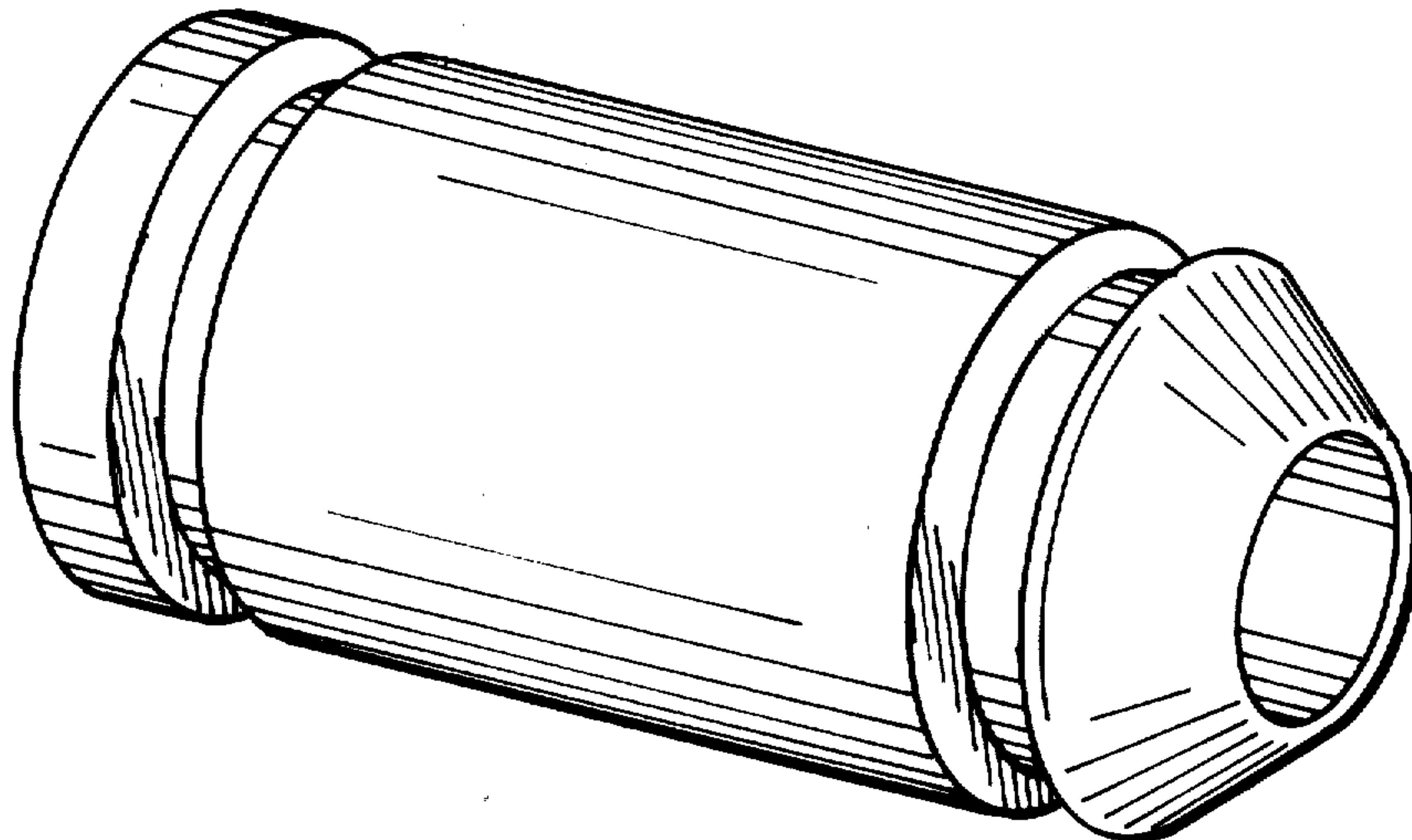
Primary Examiner—Bernard Ansher
Attorney, Agent, or Firm—Max L. Wymore

[57] **CLAIM**

The ornamental design for a sample holder for a vibrating viscometer, as shown and described.

DESCRIPTION

FIG. 1 is a perspective view of the sample holder for a vibrating viscometer showing my new design; FIG. 2 is a side elevational view thereof with the opposite side elevational view being a mirror image; FIG. 3 is a righthand end view thereof; and, FIG. 4 is a lefthand end view thereof.



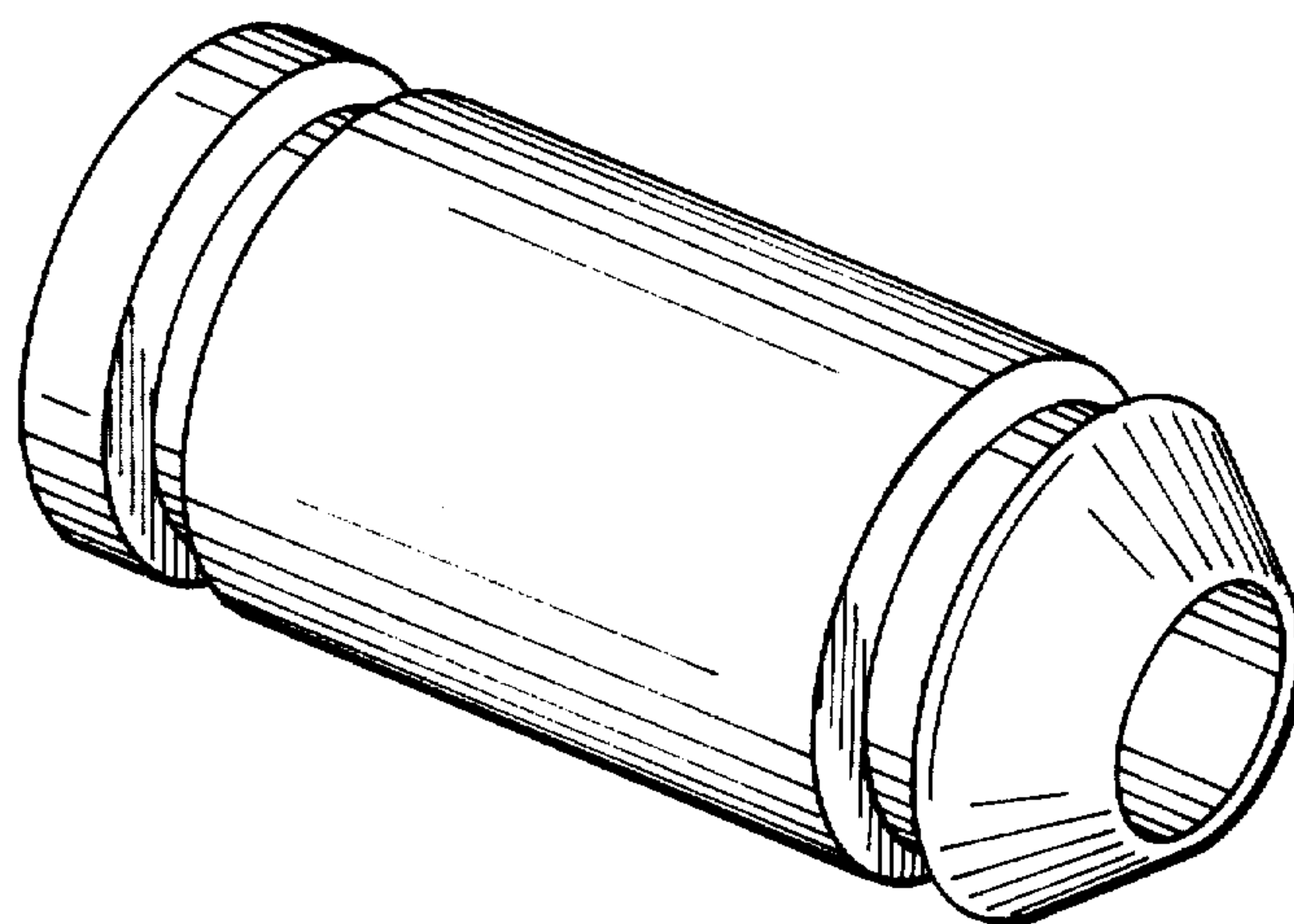


FIG. 1

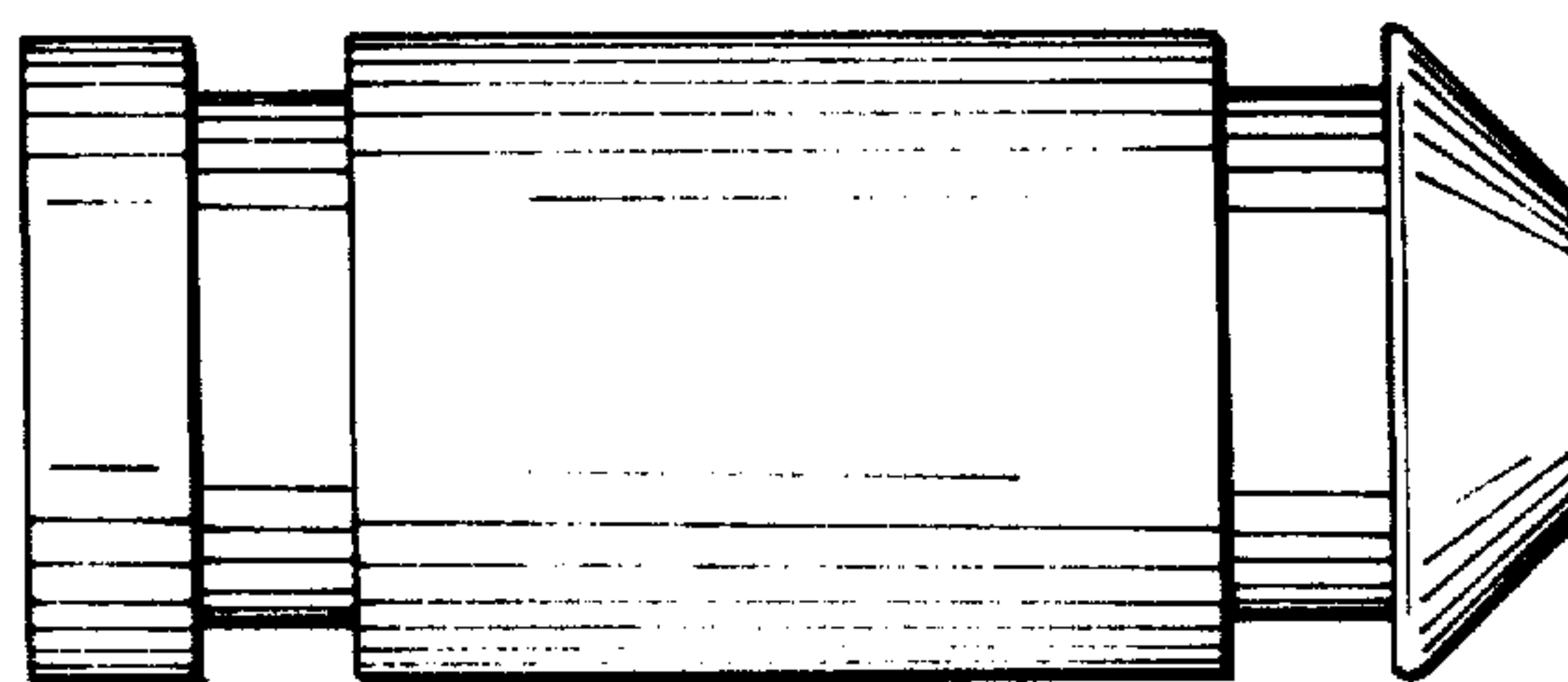


FIG. 2

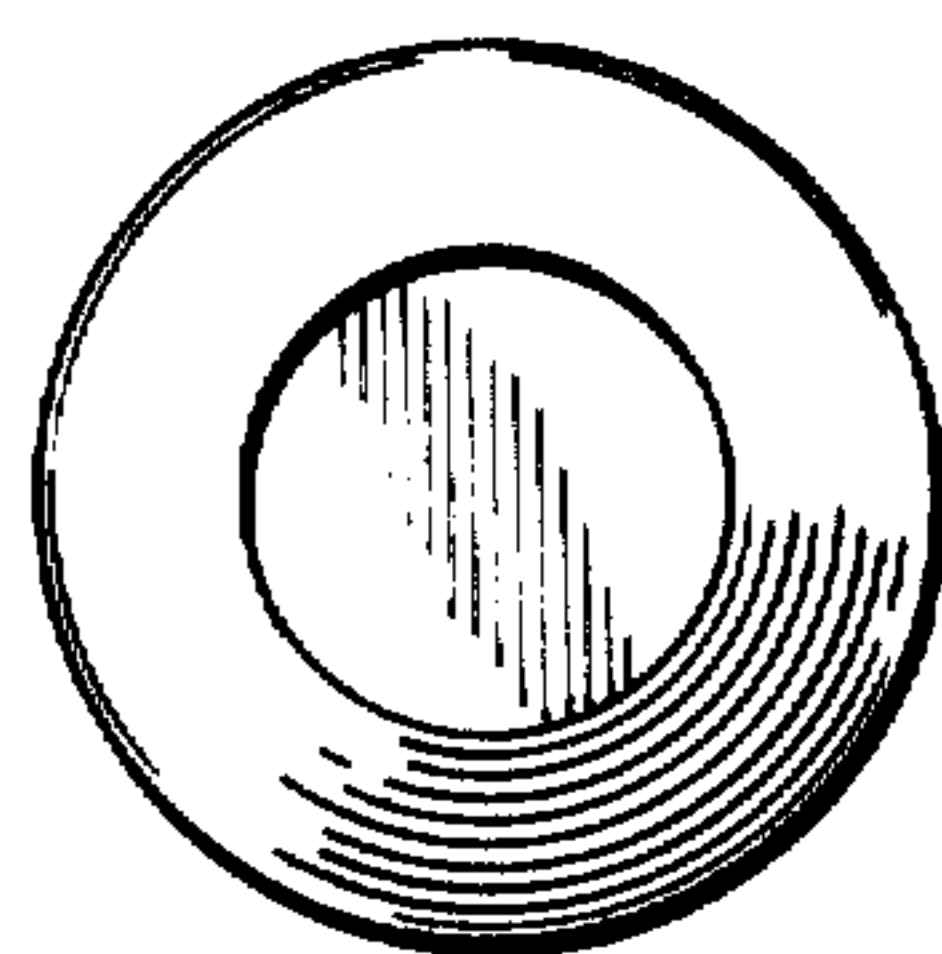


FIG. 3

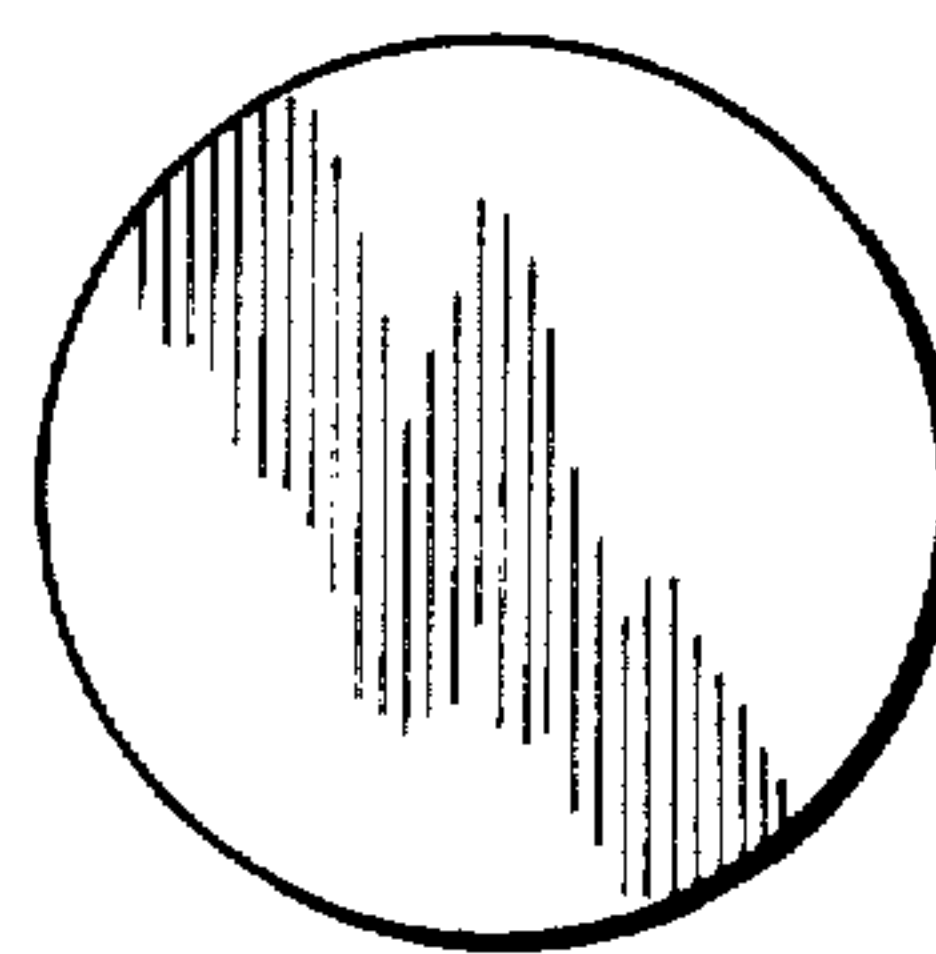


FIG. 4