

[54] PACKAGING CUP OR THE LIKE

[75] Inventor: Bryant Edwards, Clarendon Hills, Ill.

[73] Assignee: Illinois Tool Works Inc., Chicago, Ill.

[**] Term: 14 Years

[21] Appl. No.: 278,301

[22] Filed: Jun. 26, 1981

[51] Int. Cl. D9-03

[52] U.S. Cl. D9/388; D9/390; D9/428

[58] Field of Search 229/1.5 B, 3.5, 2.5, 229/4.5; D9/349, 352, 355, 370, 388, 390, 398, 424, 425, 428, 429; D7/22

[56] References Cited

U.S. PATENT DOCUMENTS

- D. 192,604 4/1962 Evans D9/352 X
- D. 204,322 4/1966 Bruno D9/352

- D. 223,704 5/1972 Cheladze D9/428 X
- D. 243,358 2/1977 Gross D9/429 X
- D. 248,916 8/1978 Reynolds et al. D9/390 X
- D. 263,203 3/1982 Haag, Sr. D9/390 X
- D. 267,543 1/1983 Nemura et al. D9/428
- 3,051,303 8/1962 Daanen et al. D9/352 X
- 4,157,147 6/1979 DeForest et al. 229/4.5 X

Primary Examiner—Robert C. Spangler
Attorney, Agent, or Firm—Thomas W. Buckman

[57] CLAIM

The ornamental design for a packaging cup or the like, as shown.

DESCRIPTION

FIG. 1 is a perspective view of a packaging cup or the like embodying my new design;
FIG. 2 is a top plan view thereof;
FIG. 3 is a side elevational view thereof partly in section; and
FIG. 4 is a bottom plan view thereof.

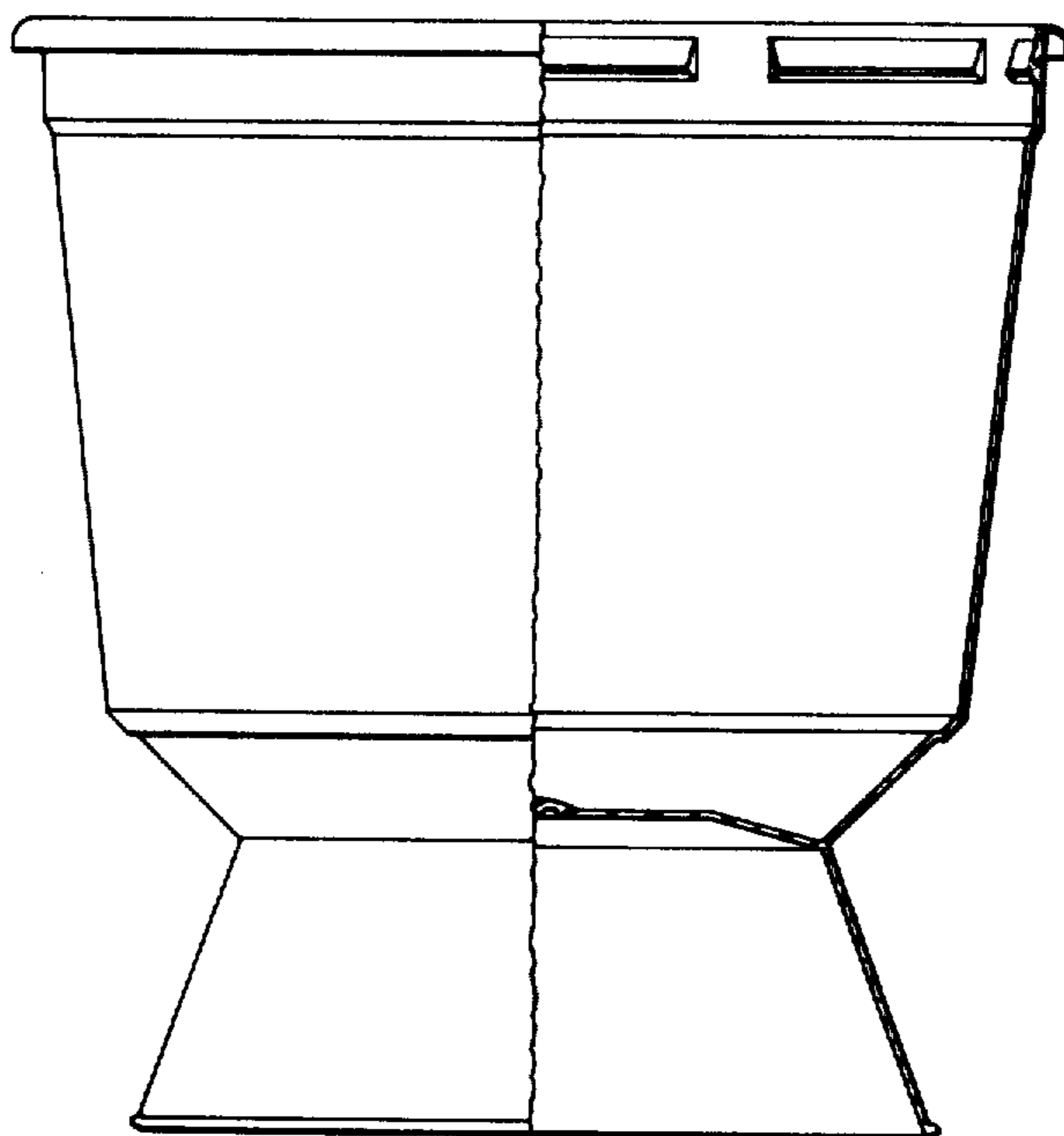


Fig. 1

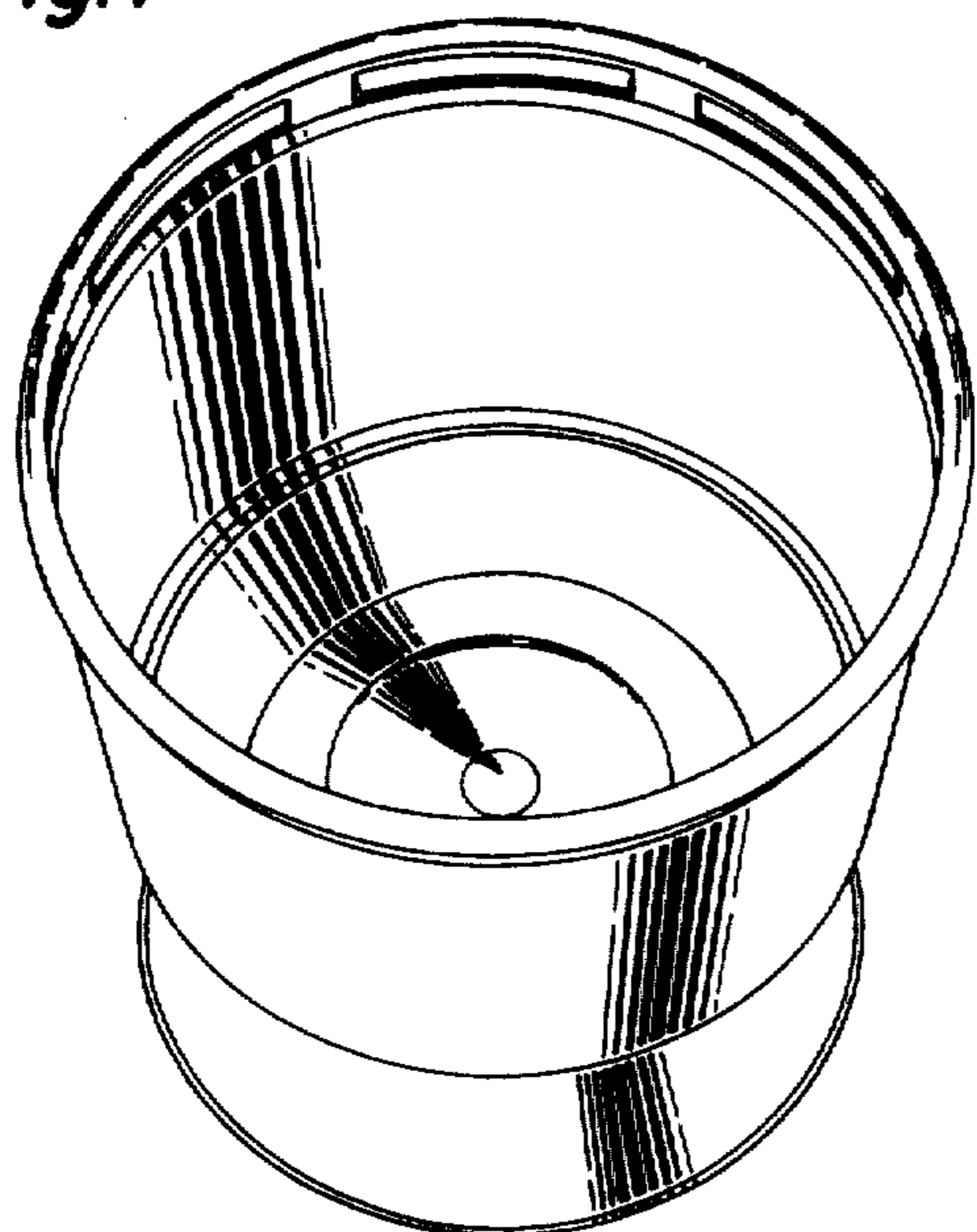


Fig. 2

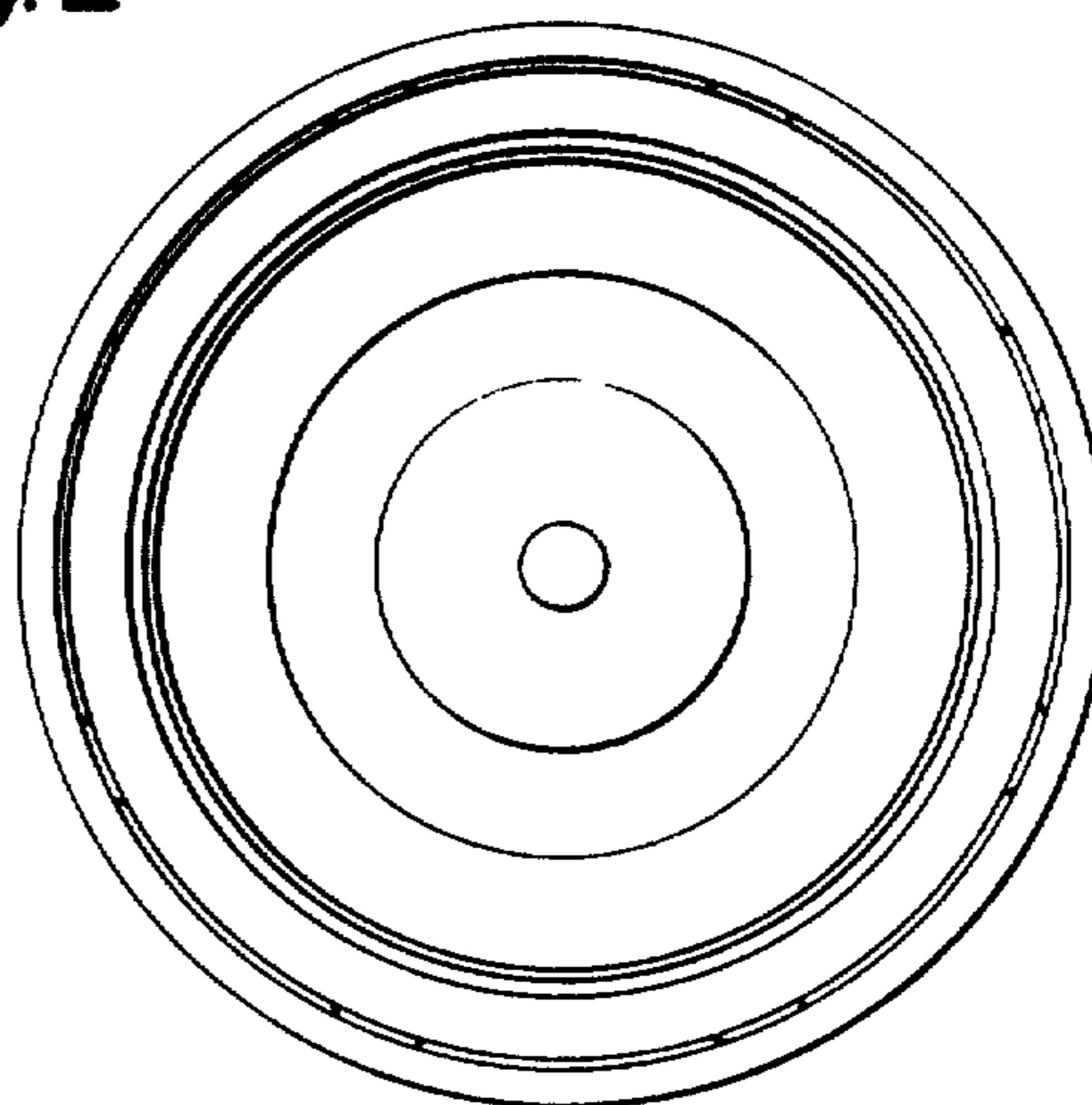


Fig. 3

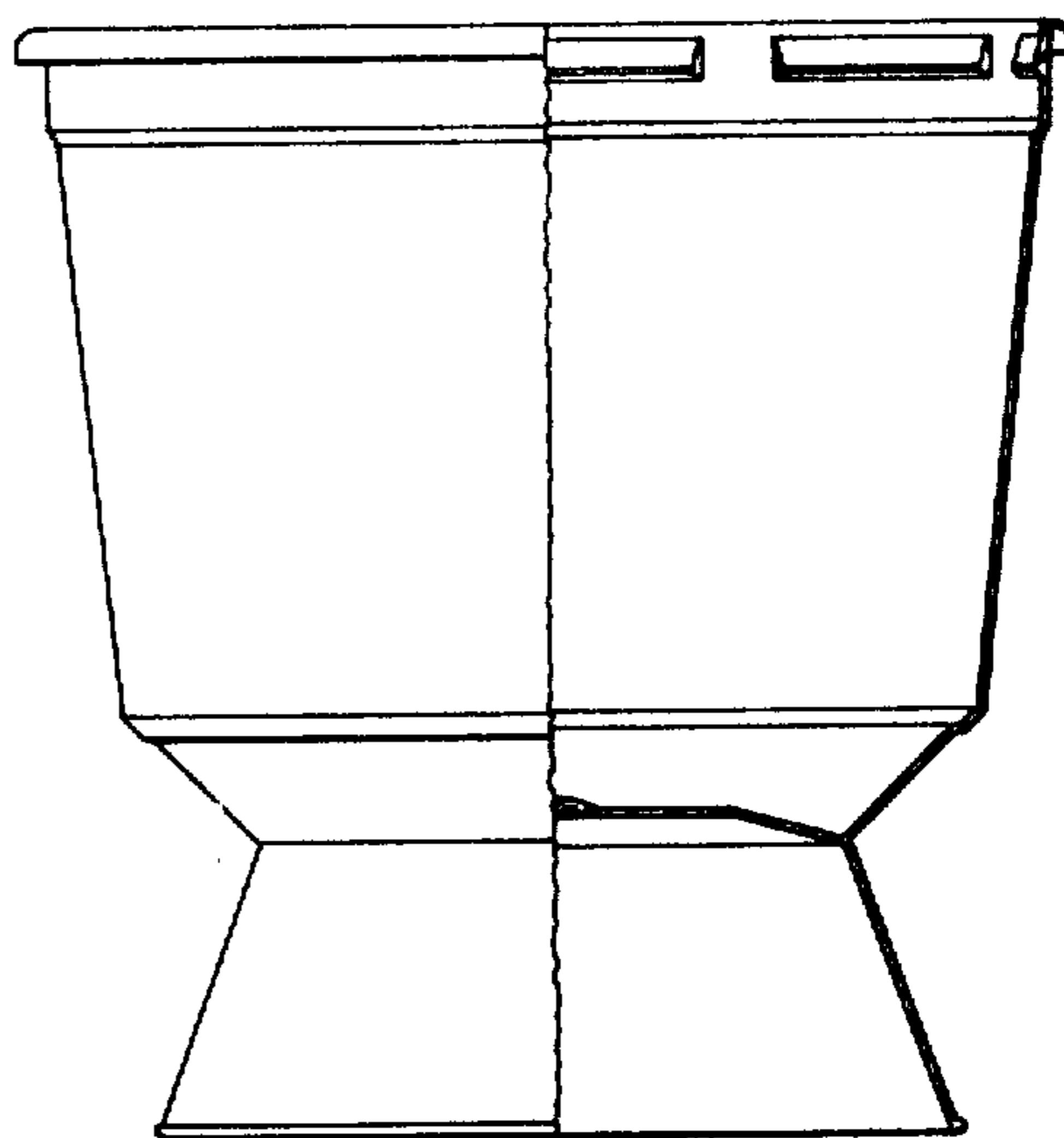


Fig. 4

