

[54] COMBINED PACKAGING CUP AND BASE THEREFOR

[75] Inventors: Vincent E. Fortuna, Huntington Beach; Bertel R. Peterson, San Juan Capistrano, both of Calif.

[73] Assignee: Vercon Inc., Coleman, Mich.

[**] Term: 14 Years

[21] Appl. No.: 264,546

[22] Filed: May 15, 1981

[51] Int. Cl. D9-03

[52] U.S. Cl. D9/388; D9/390; D9/428; D9/352

[58] Field of Search 229/1.5 B, 3.5, 2.5, 229/4.5; D9/352, 370, 355, 388, 398, 390, 424, 425, 429, 428; D7/22

[56] References Cited

U.S. PATENT DOCUMENTS

- D. 192,604 4/1962 Evans D9/352 X
- D. 204,322 4/1966 Bruno D9/352
- D. 223,704 5/1972 Cheladze D9/428 X
- D. 243,358 2/1977 Gross D9/429 X
- D. 248,916 8/1978 Reynolds et al. D9/390 X
- D. 263,203 3/1982 Haag, Sr. D9/390 X

- D. 267,543 1/1983 Nemura et al. D9/428
- 3,051,303 8/1962 Daanen et al. D9/352 X
- 4,157,147 6/1979 DeForest et al. 229/4.5 X

Primary Examiner—Robert C. Spangler
Attorney, Agent, or Firm—John Learman; Michael J. Caddell; M. Norwood Cheairs

[57] CLAIM

The ornamental design for a combined packaging cup and base therefor, as shown and described.

DESCRIPTION

FIG. 1 is a side elevational view of a combined packaging cup and base therefor showing our new design, with a portion of the base shown broken away for illustrative purposes only;

FIG. 2 is a sectional view taken on the line 2—2 of FIG. 3;

FIG. 3 is a top plan view;

FIG. 4 is a bottom plan view;

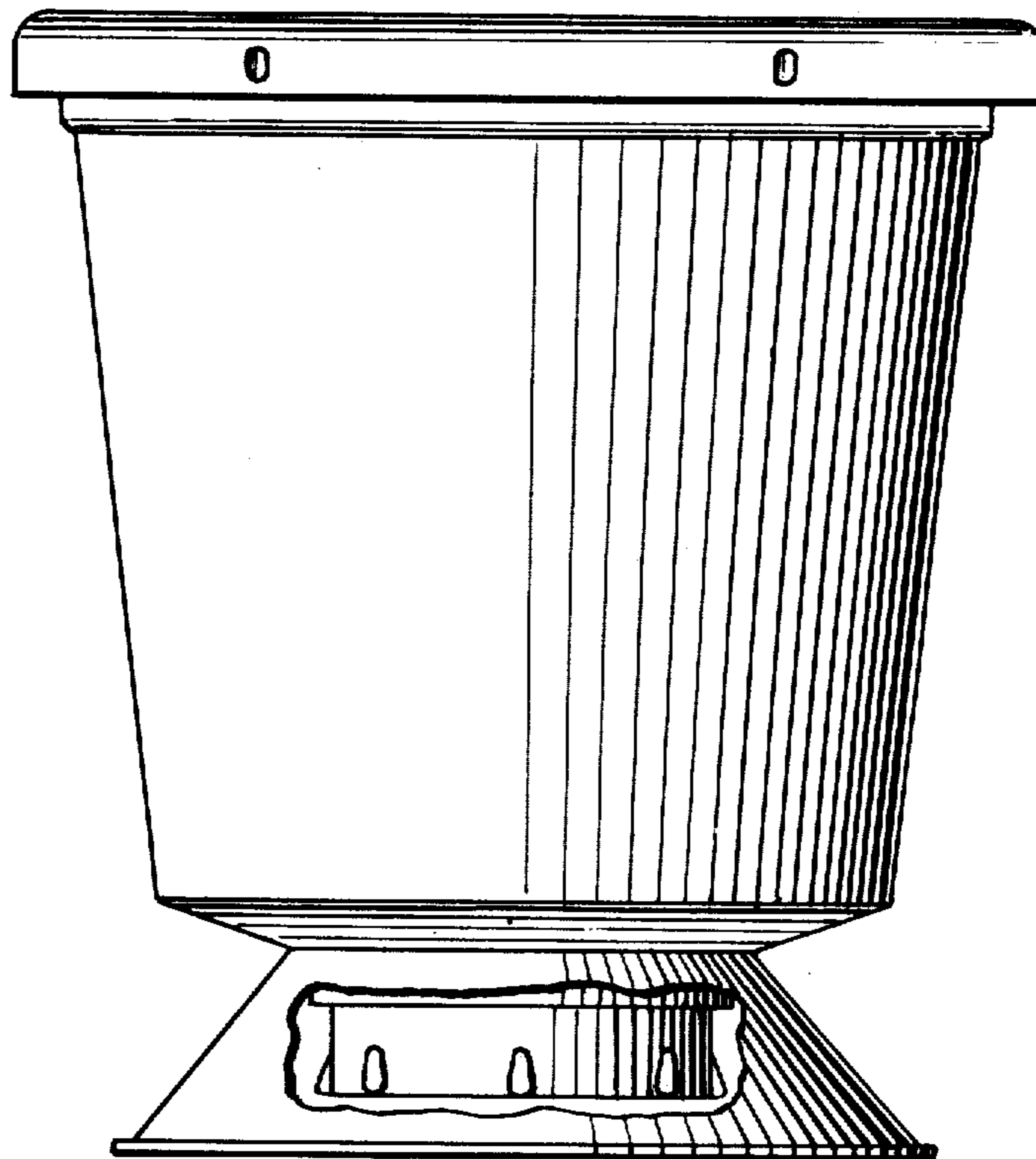
FIG. 5 is a view similar to FIG. 1 but showing a modified form of our new design;

FIG. 6 is a sectional view taken on the line 6—6 of FIG. 7;

FIG. 7 is a top plan view; and

FIG. 8 is a bottom plan view thereof.

The sides opposite those seen in FIGS. 1 and 5 are the same in appearance as the respective sides shown.



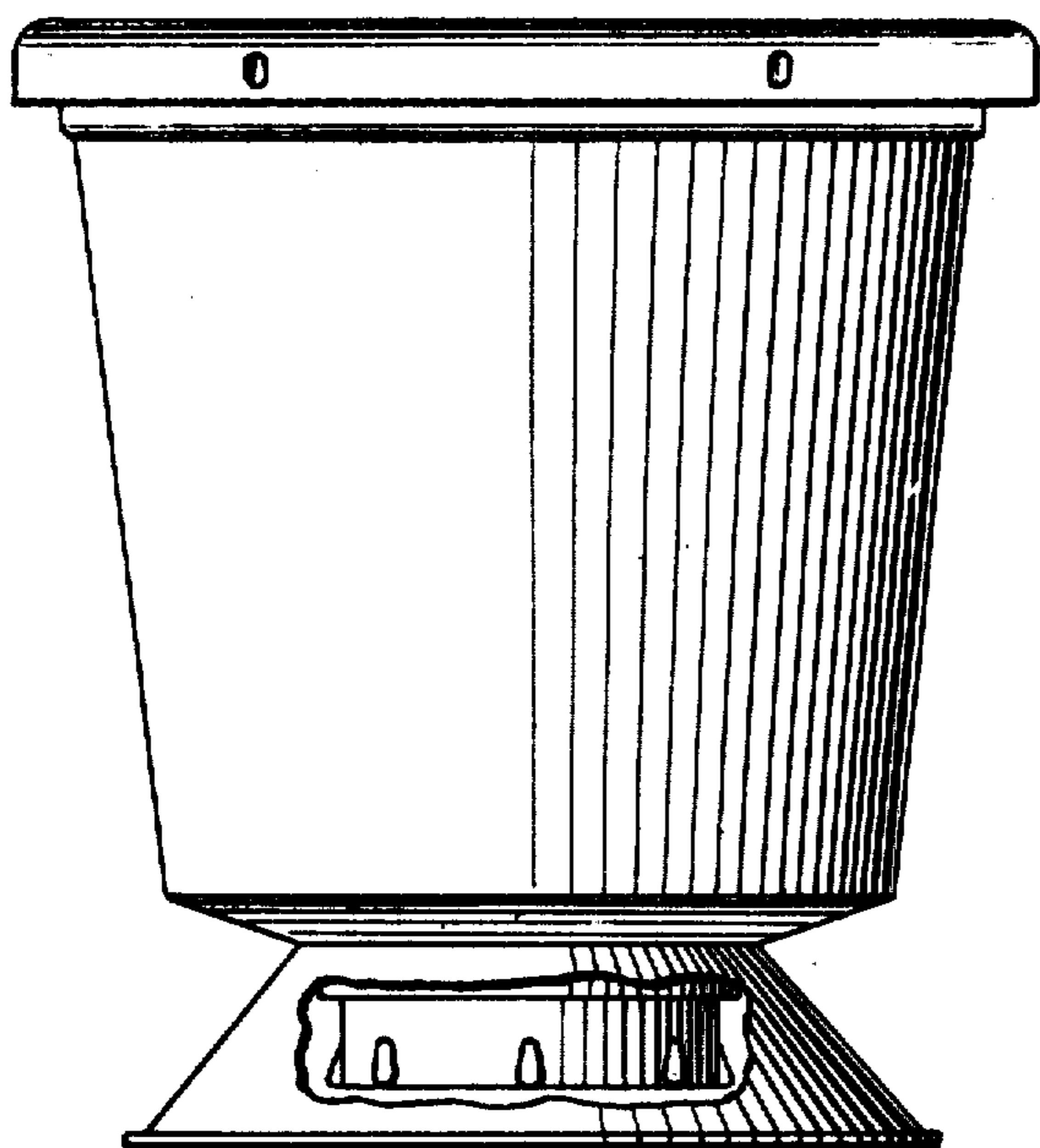


FIG. 1

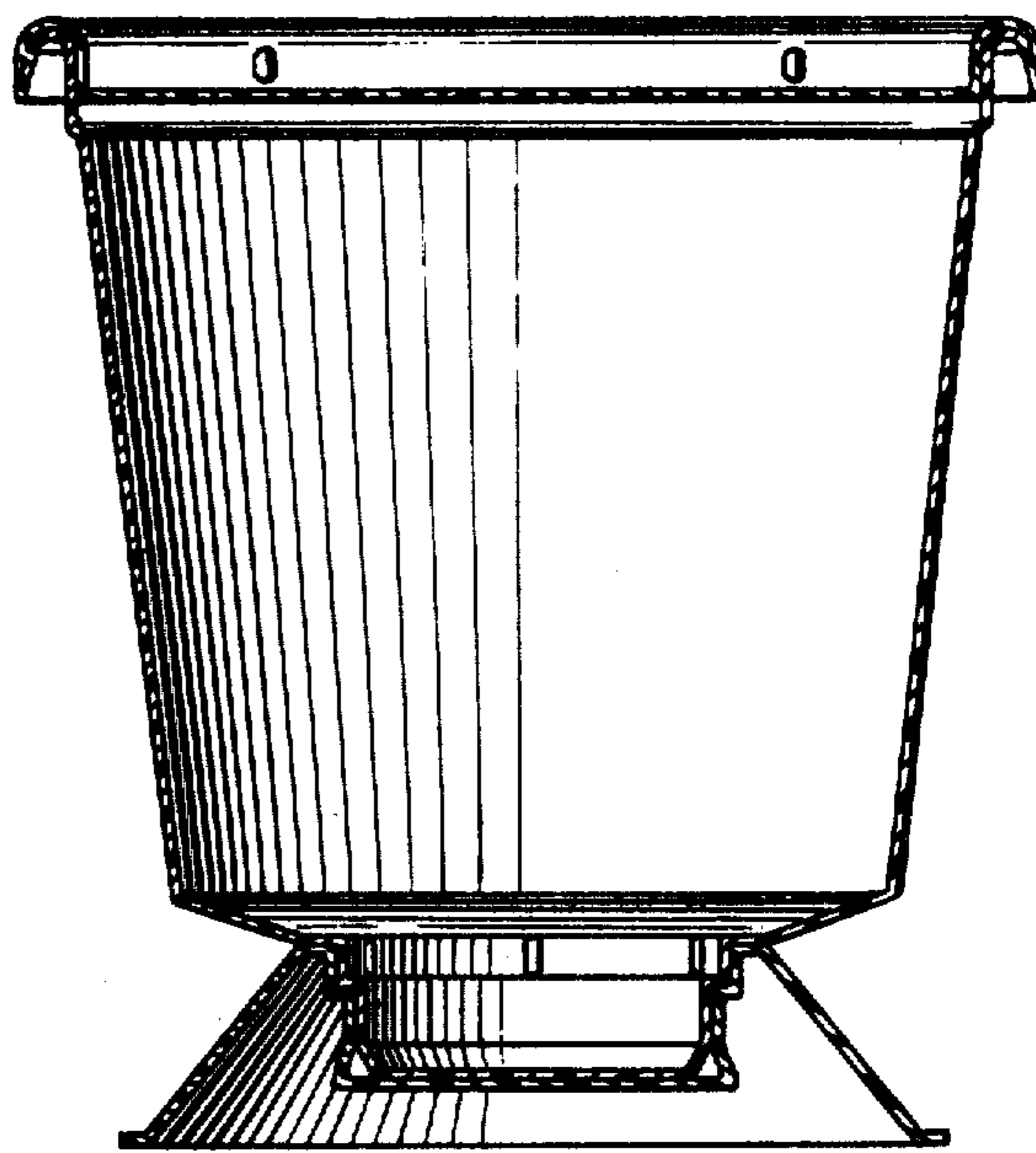


FIG. 2

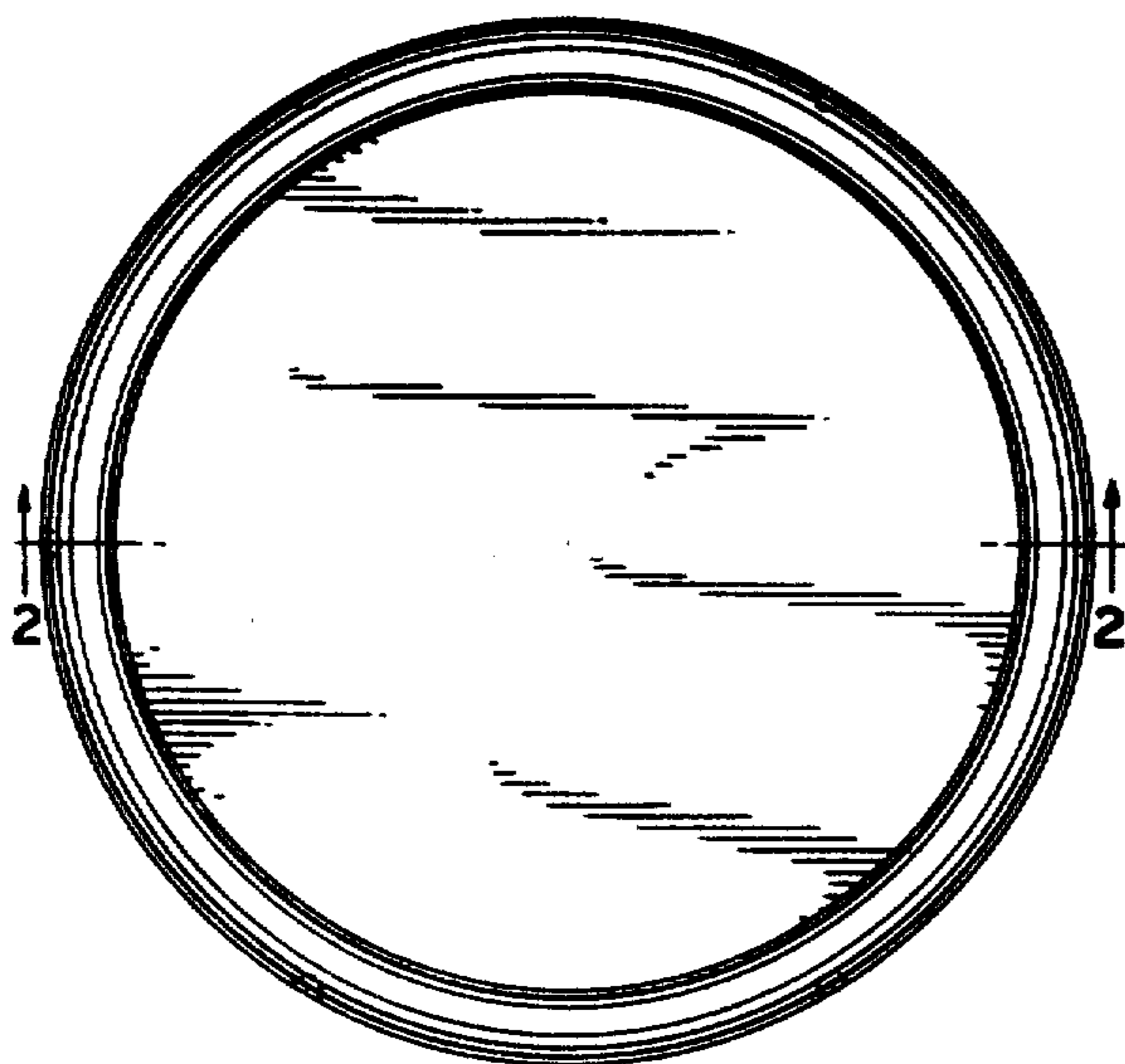


FIG. 3

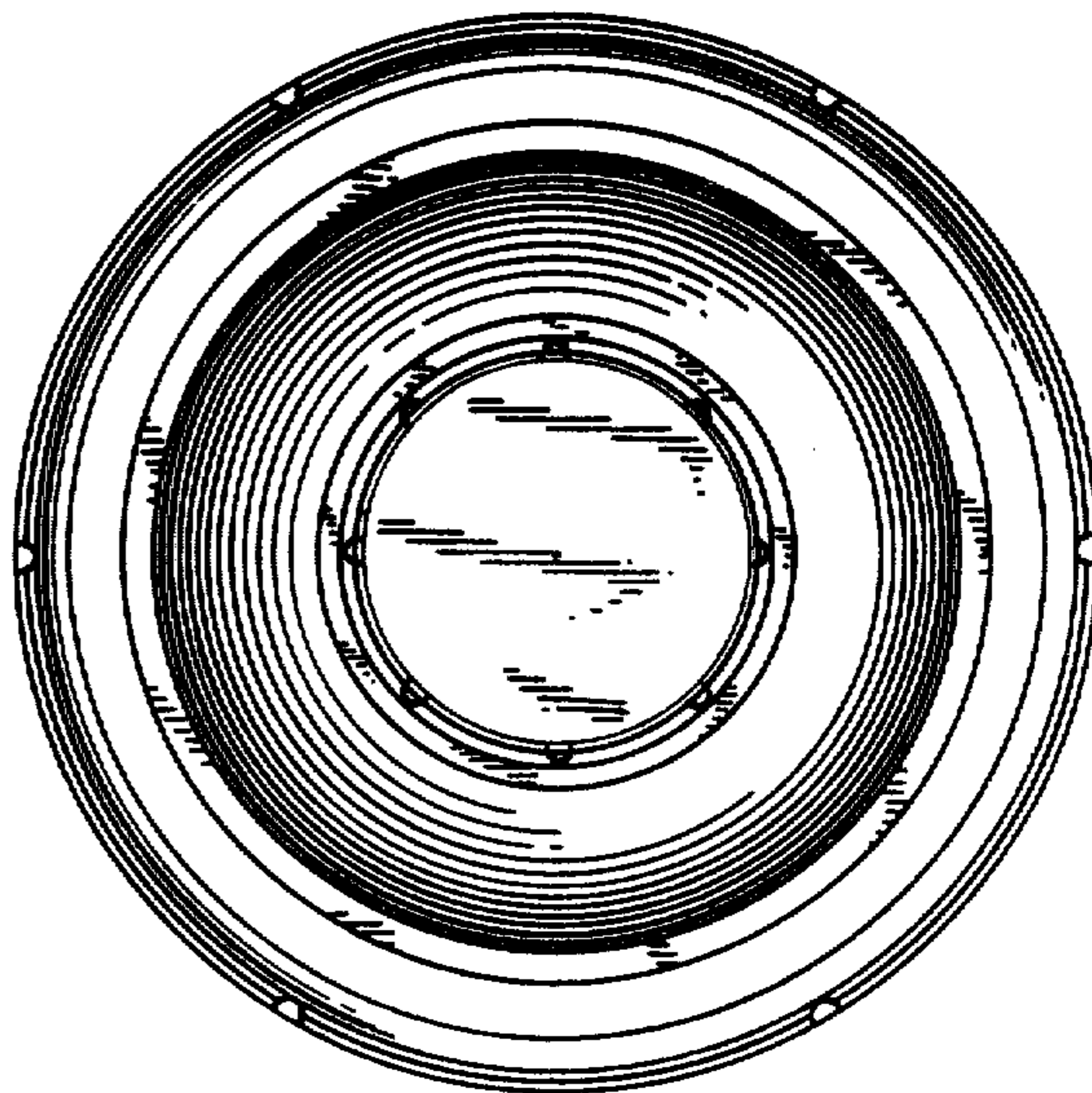


FIG. 4

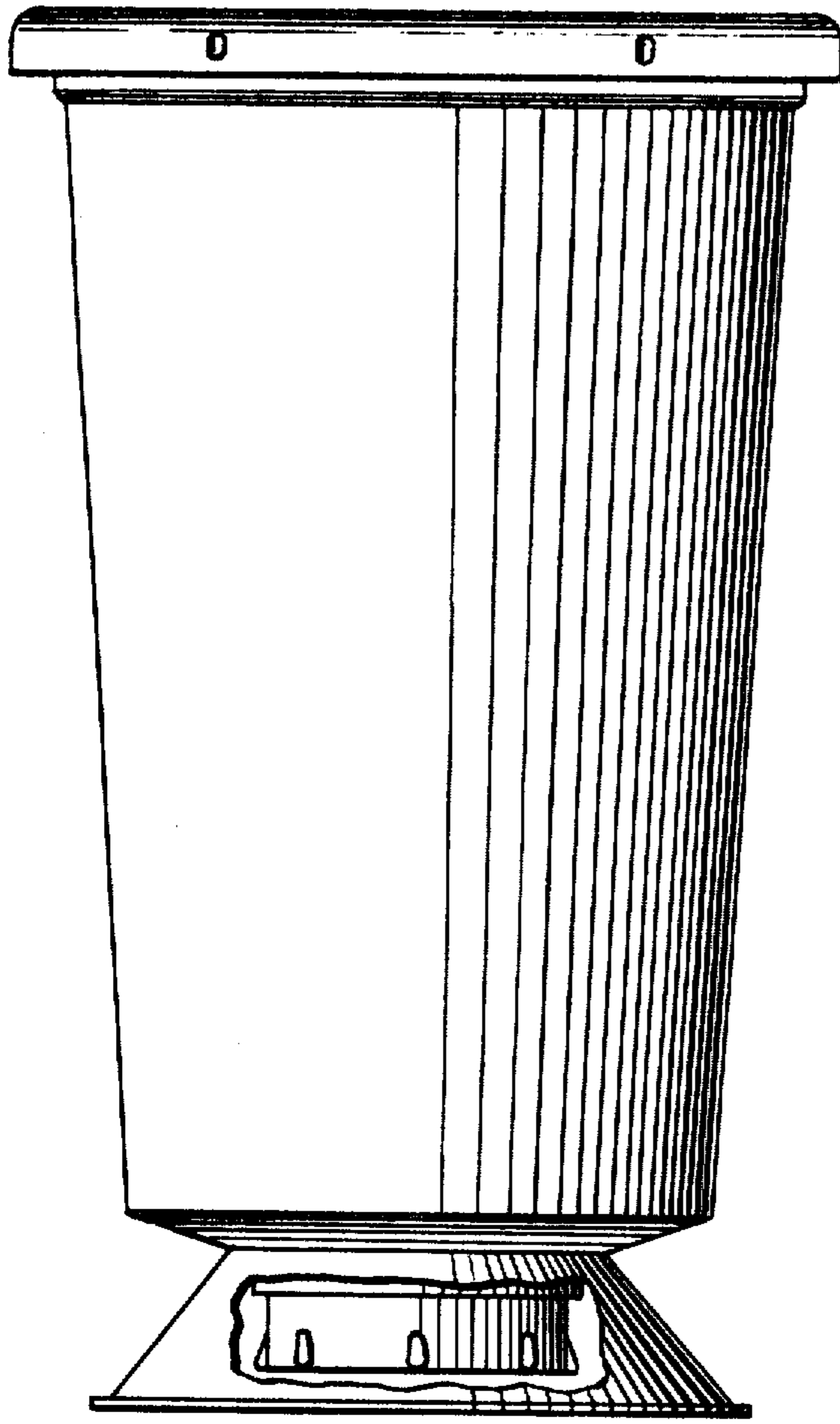


FIG. 5

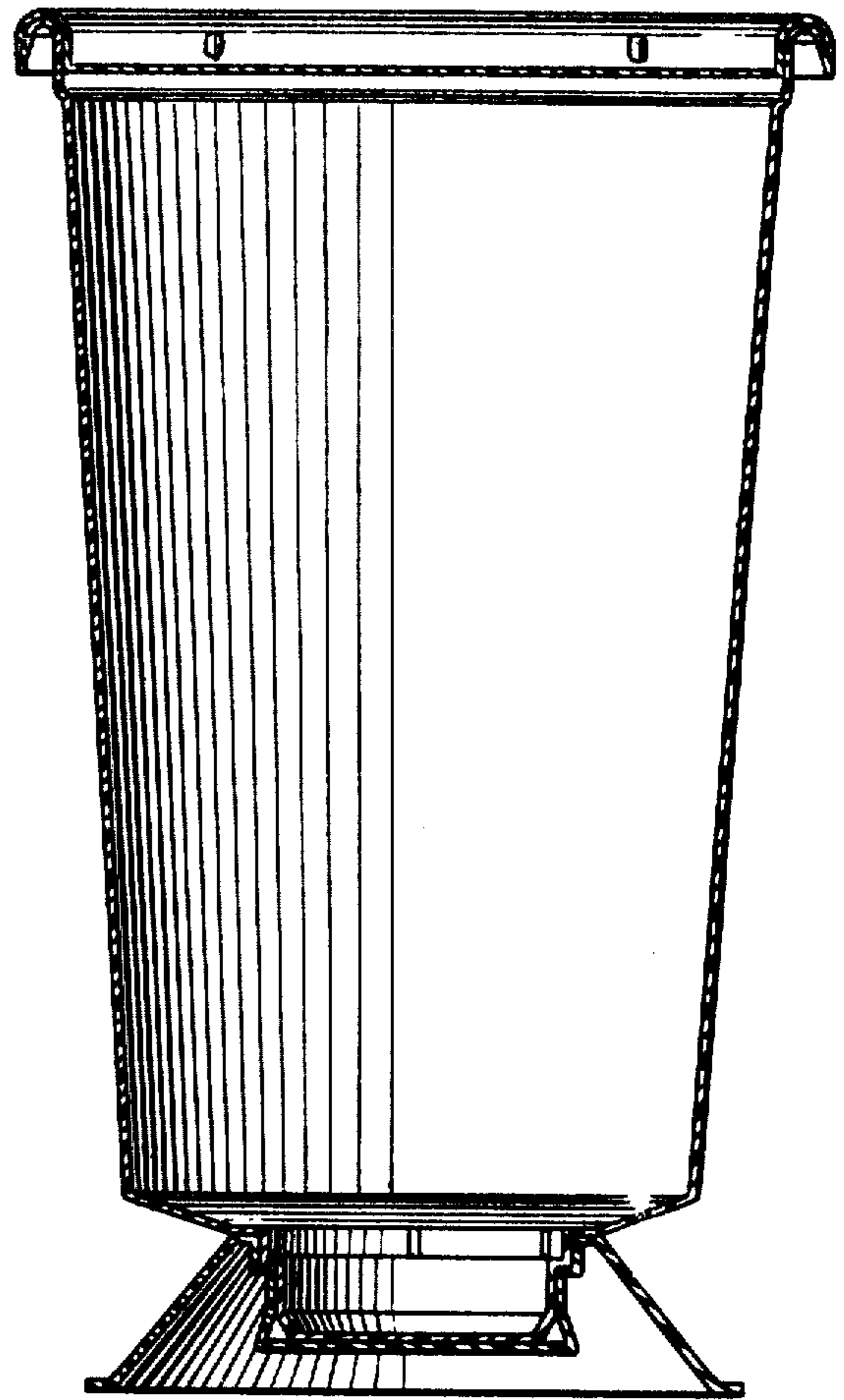


FIG. 6

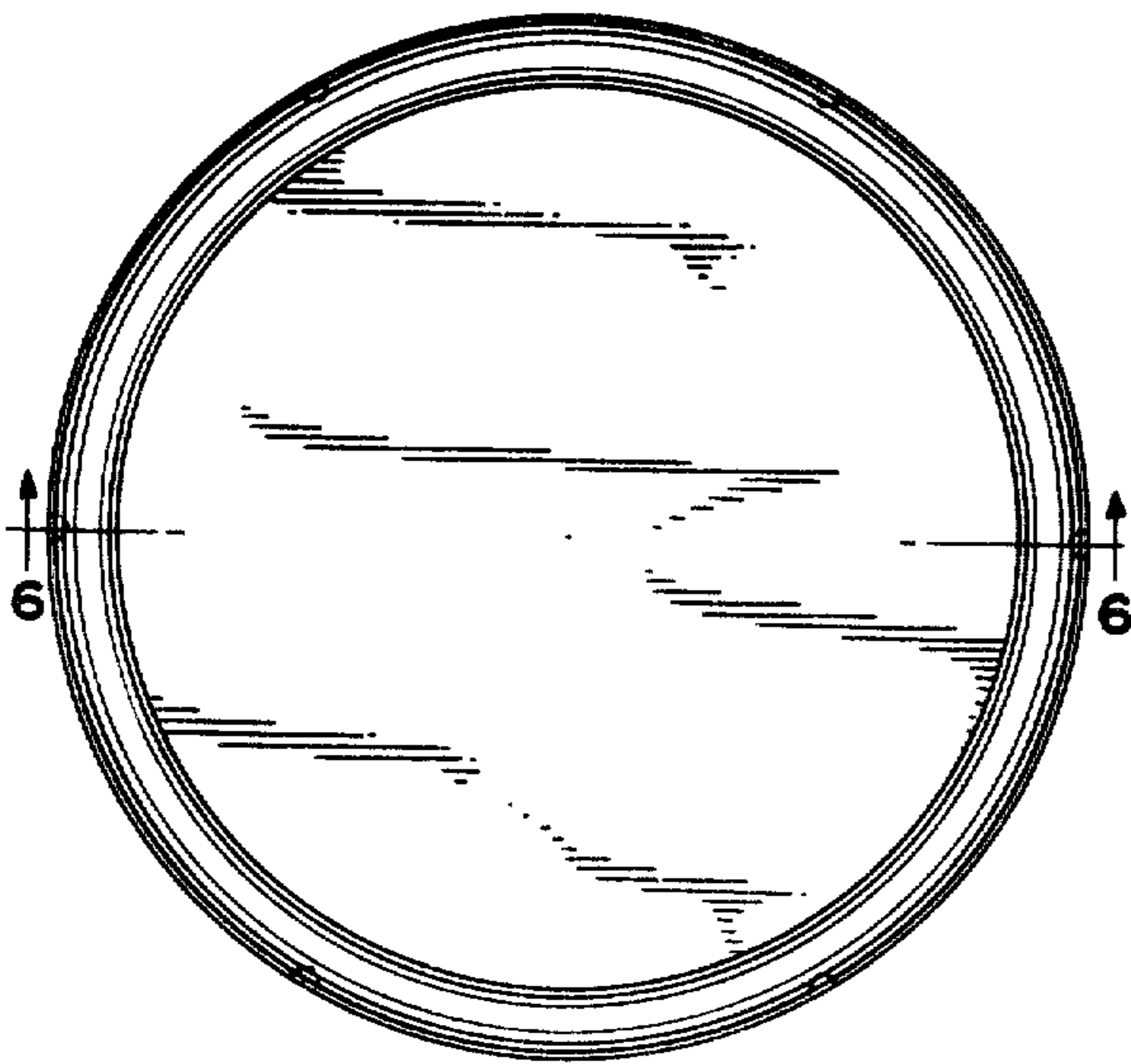


FIG. 7

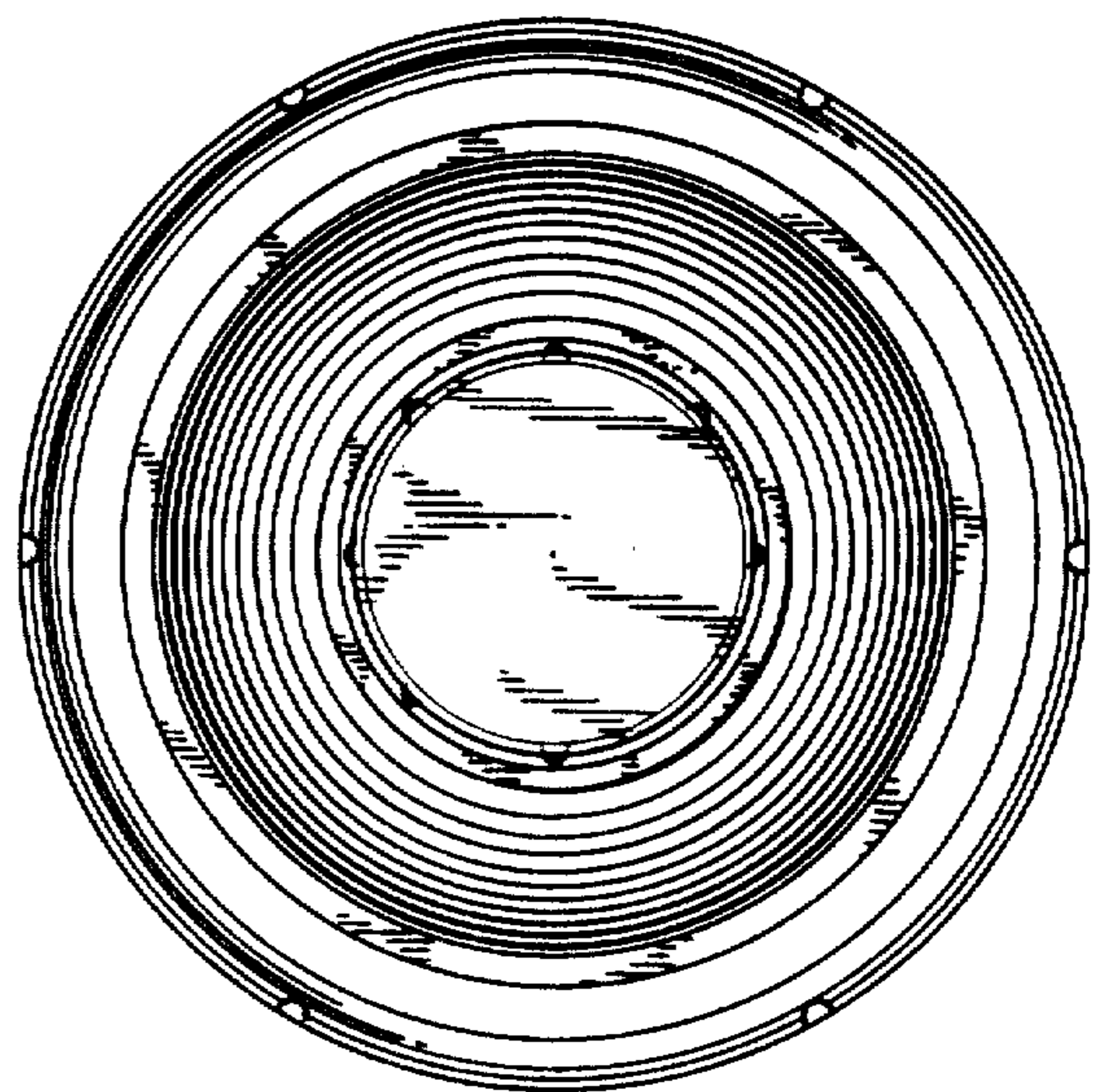


FIG. 8