

[54] POWER WRENCH

[75] Inventors: Seiji Ikeda, Osaka; Katsuyuki Ono, Moriguchi, both of Japan

[73] Assignee: Maeda Metal Industries, Ltd., Osaka, Japan

[**] Term: 14 Years

[21] Appl. No.: 190,044

[22] Filed: Sep. 23, 1980

[30] Foreign Application Priority Data

May 31, 1980 [JP] Japan 55-21627

[51] Int. Cl. D8-01

[52] U.S. Cl. D8/68

[58] Field of Search D8/61, 14, 68, 69, 17, D8/21; 81/53 R, 54, 55, 56, 34, 57.13, 57.11, 57.29

[56] References Cited

U.S. PATENT DOCUMENTS

D. 233,131	10/1974	Slany	D8/68
D. 243,652	3/1977	Zurwelle et al.	D8/68
2,820,382	1/1958	Smith	81/57.13
3,602,318	8/1971	Slany	D8/61 X
3,633,446	1/1972	Tadahira	81/55 X
4,179,955	12/1979	Akiyoshi et al.	81/57.13 X

Primary Examiner—Robert C. Spangler
Attorney, Agent, or Firm—Armstrong, Nikaido, Marmelstein & Kubovcik

[57] CLAIM

The ornamental design for a power wrench, as shown and described.

DESCRIPTION

FIG. 1 is a top plan view of a power wrench showing our new design;
FIG. 2 is an elevational view;
FIG. 3 is an elevational view looking from the right of FIG. 2, the opposite being a mirror image thereof;
FIG. 4 is an elevational view looking from the right of FIG. 3; and
FIG. 5 is a bottom plan view.

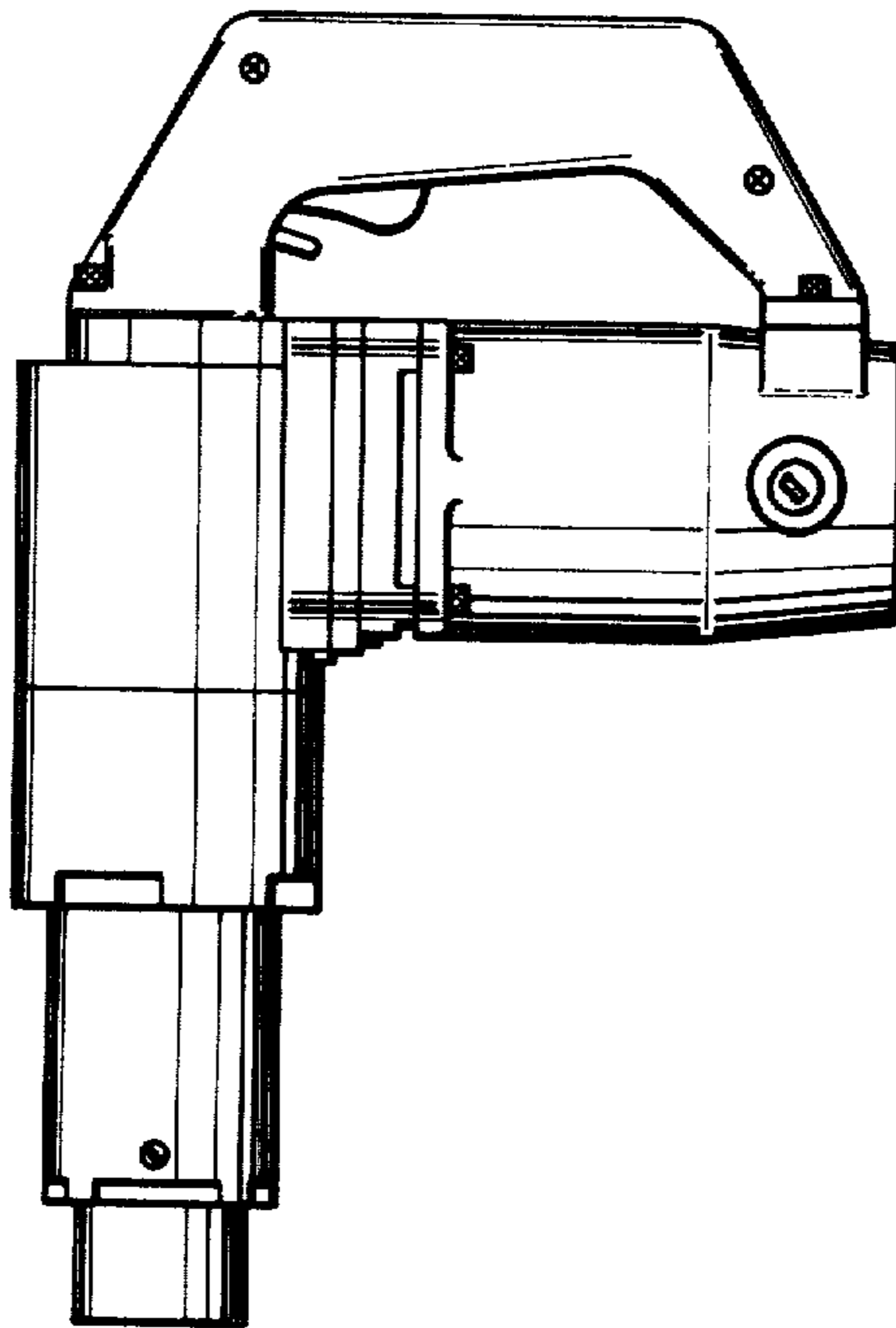


FIG.1

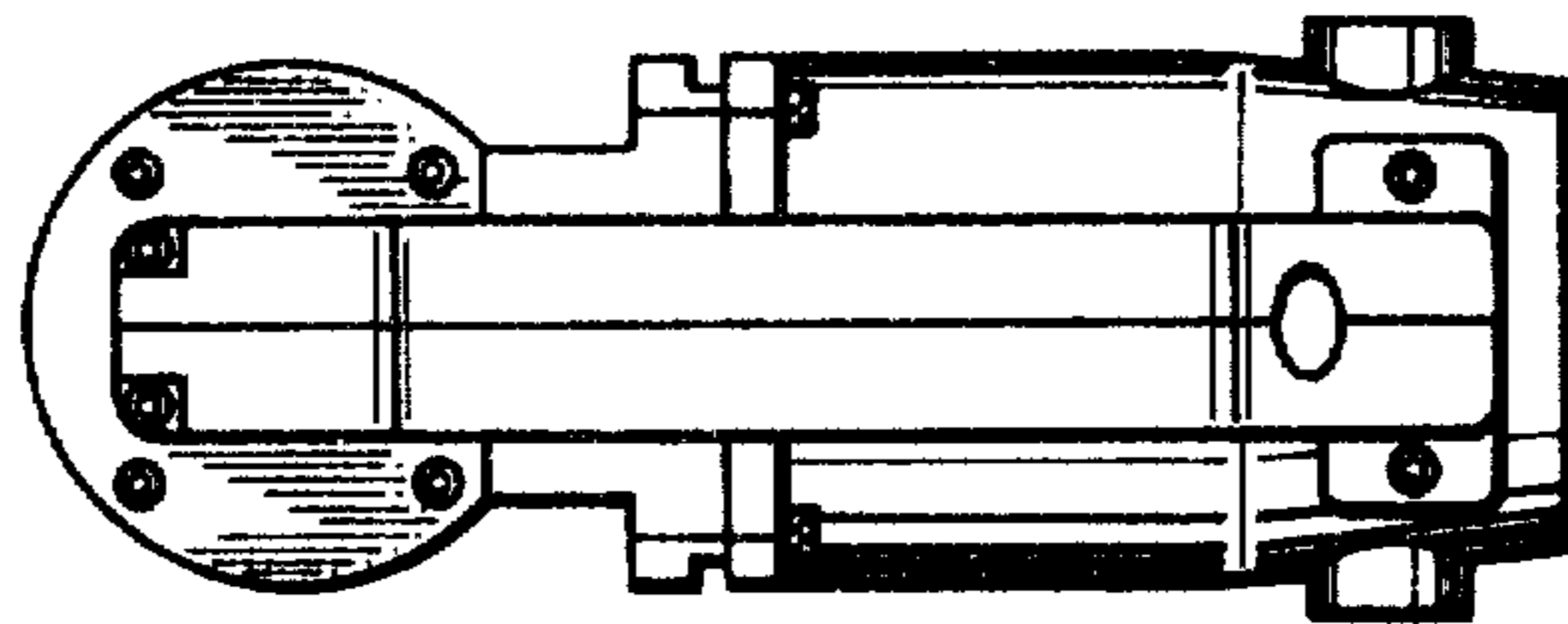


FIG.2

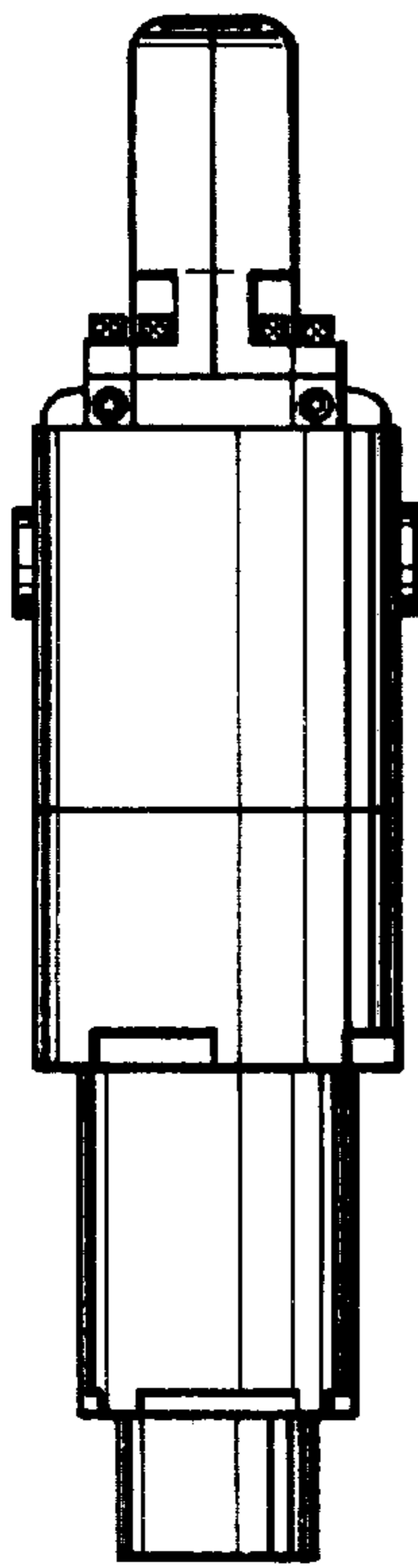


FIG.3

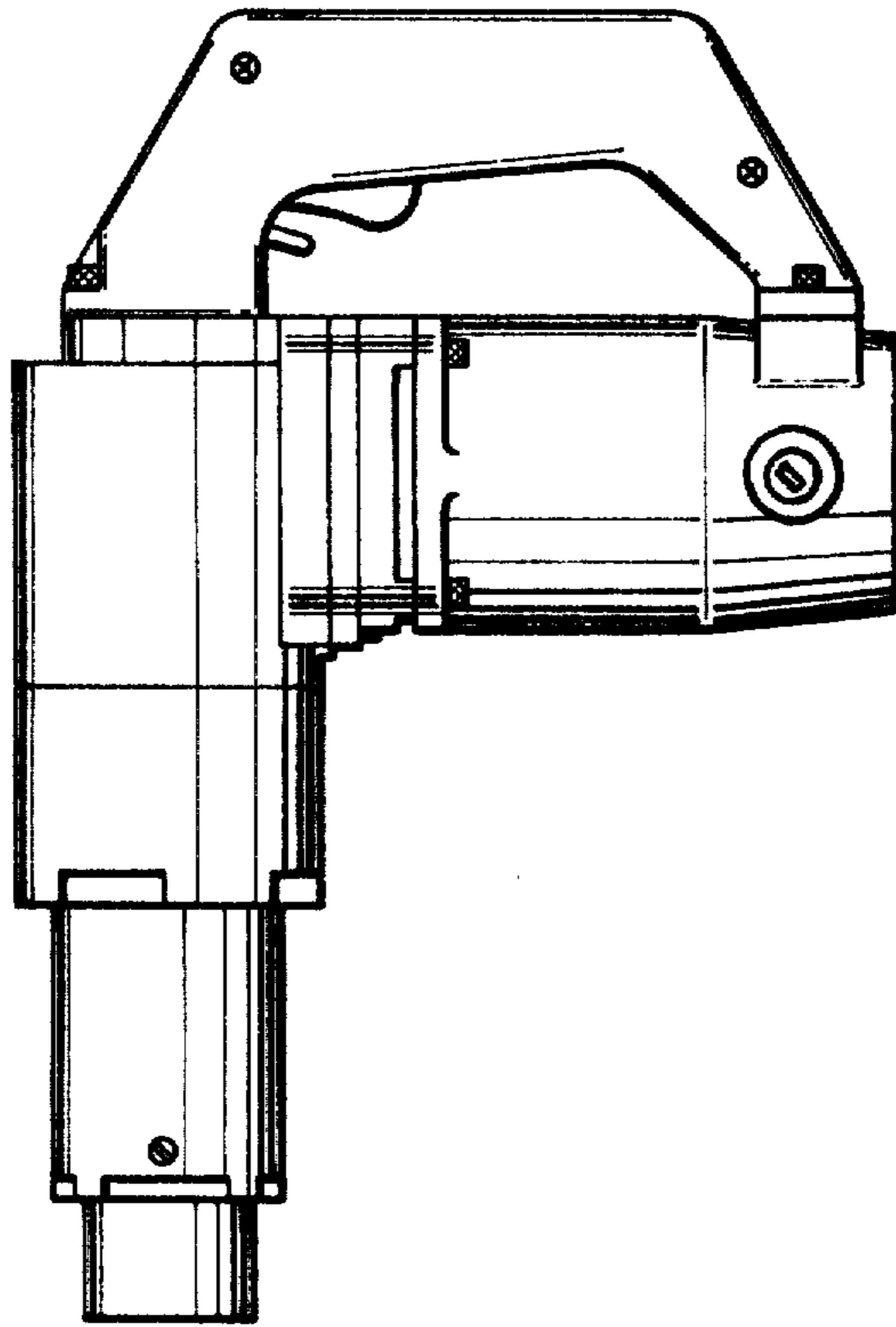


FIG.4

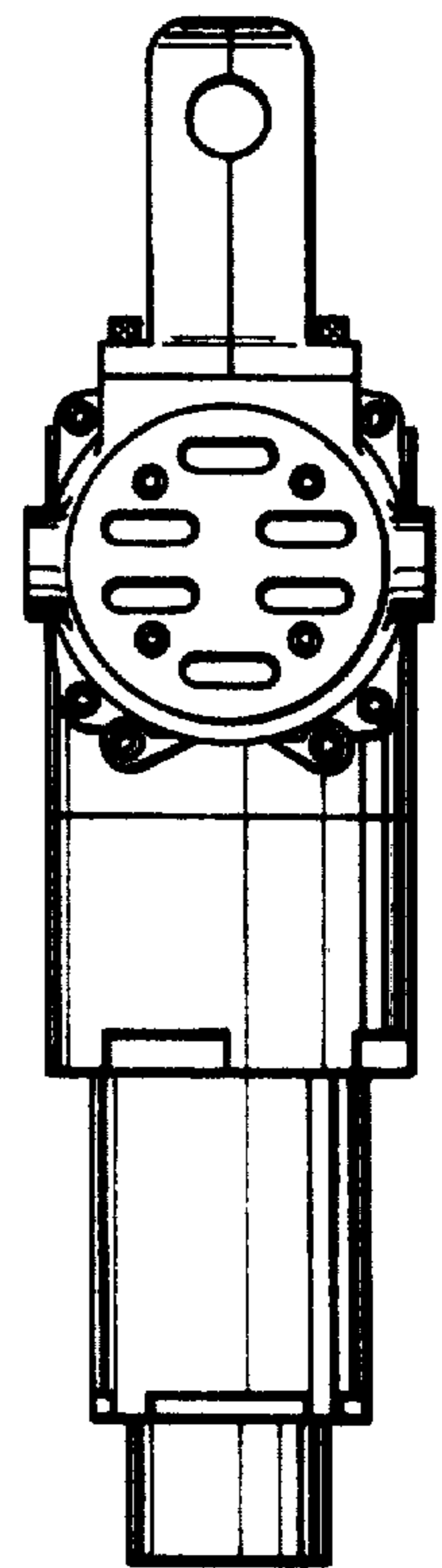


FIG.5

