

[54] TUBING CUTTER

[75] Inventor: Glenn R. Wolcott, Americus, Ga.

[73] Assignee: Wolcott Tool Company, Marietta, Ga.

[\*\*] Term: 14 Years

[21] Appl. No.: 231,800

[22] Filed: Feb. 5, 1981

[51] Int. Cl. .... D8-03

[52] U.S. Cl. .... D8/60

[58] Field of Search ..... D8/60; 30/94, 95, 101, 30/102

[56] References Cited

U.S. PATENT DOCUMENTS

D. 188,004 5/1960 Carpenter ..... D8/60

2,706,853 4/1955 Wilson ..... 30/102  
3,408,738 11/1968 Schade ..... 30/95  
3,932,937 1/1976 Bastiansen ..... 30/102

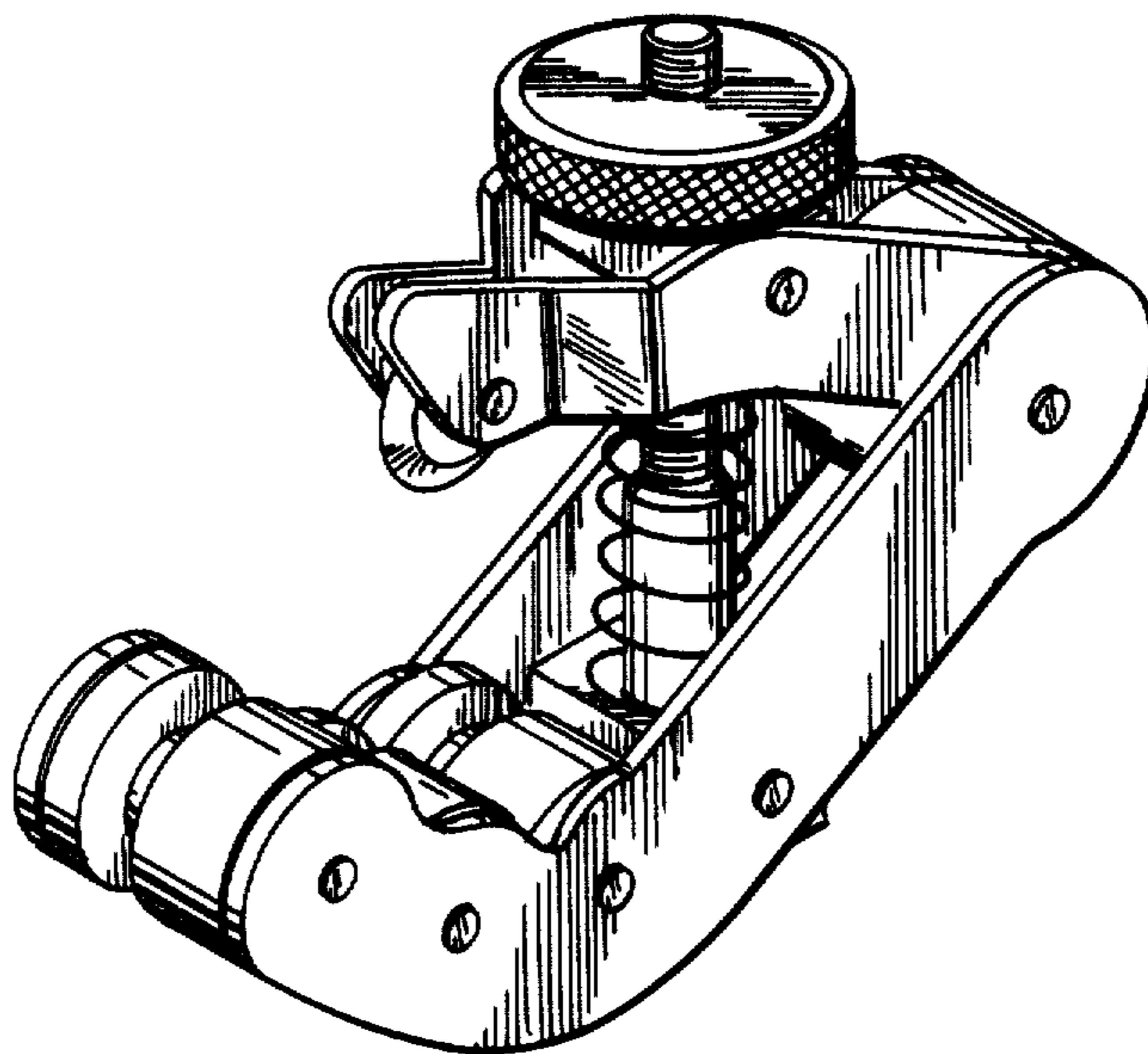
Primary Examiner—Alan P. Douglas  
Attorney, Agent, or Firm—Jones & Askew

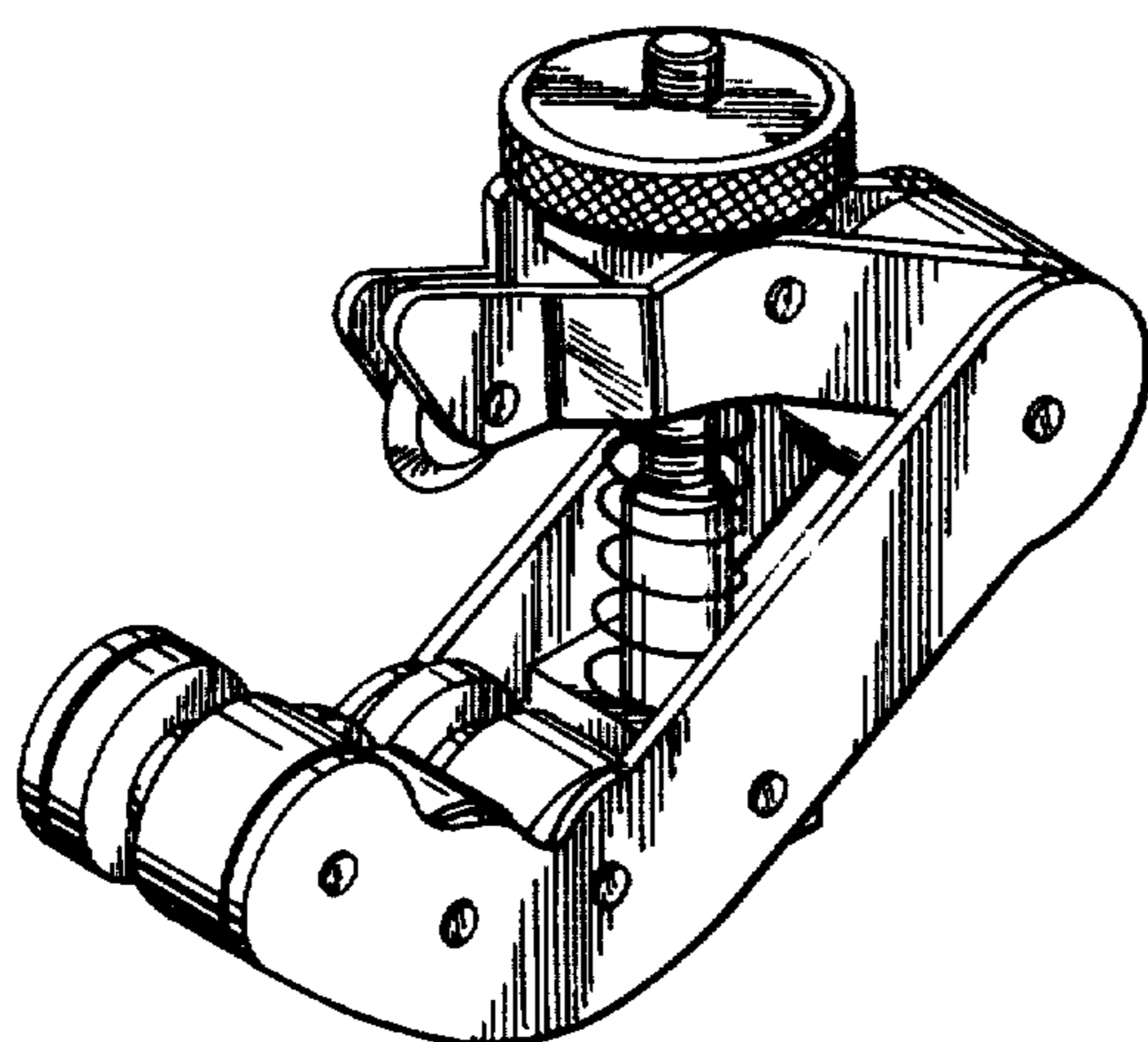
[57] CLAIM

The ornamental design for a tubing cutter, substantially as shown.

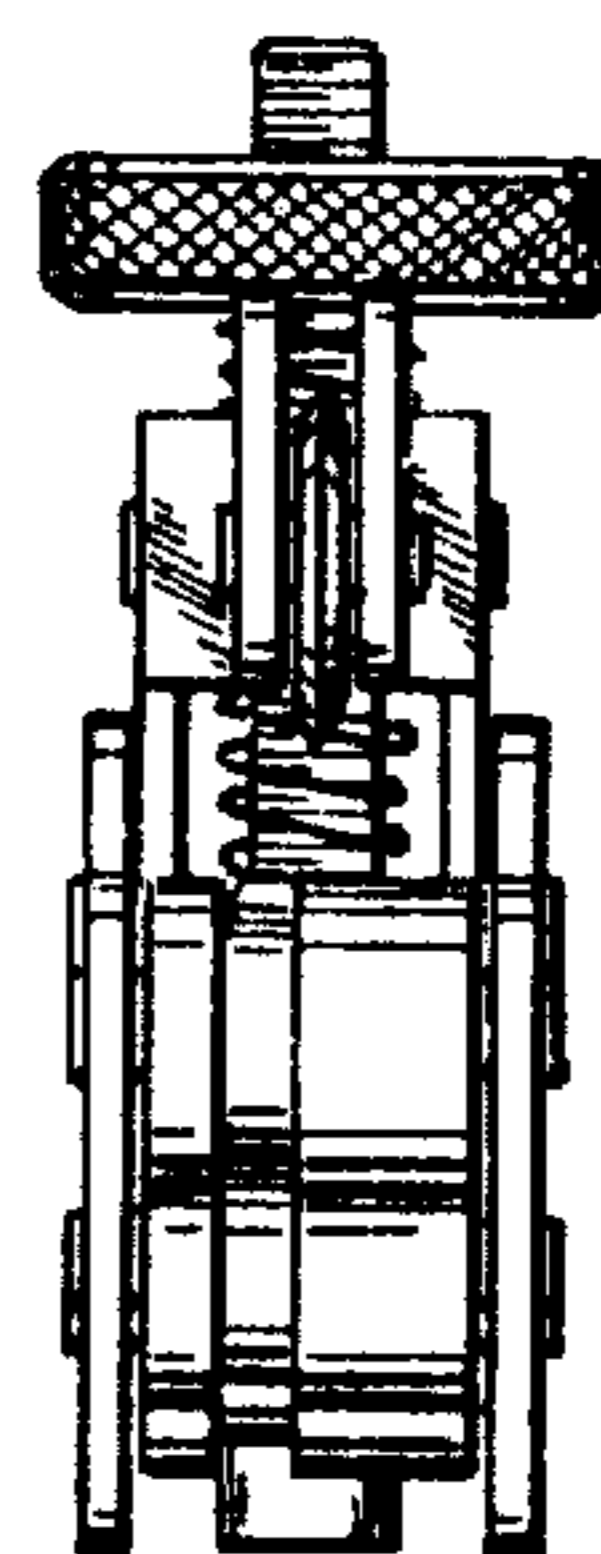
DESCRIPTION

FIG. 1 is a pictorial view of my tubing cutter;  
FIG. 2 is a front elevation view of my tubing cutter;  
FIG. 3 is a top plan view of my tubing cutter;  
FIG. 4 is a left side elevation view of my tubing cutter;  
FIG. 5 is a right side elevation view of my tubing cutter;  
and  
FIG. 6 is a bottom view of my tubing cutter.

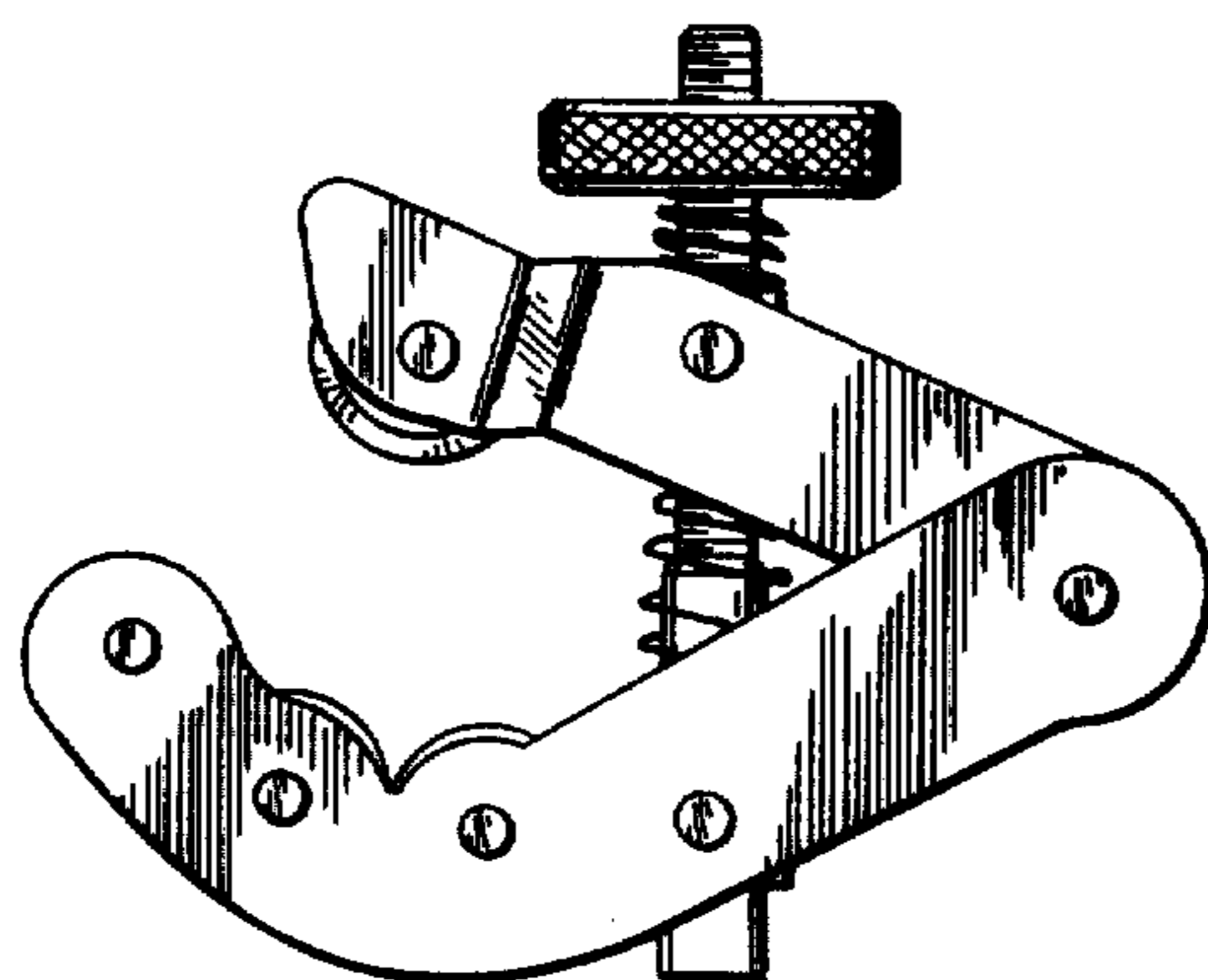




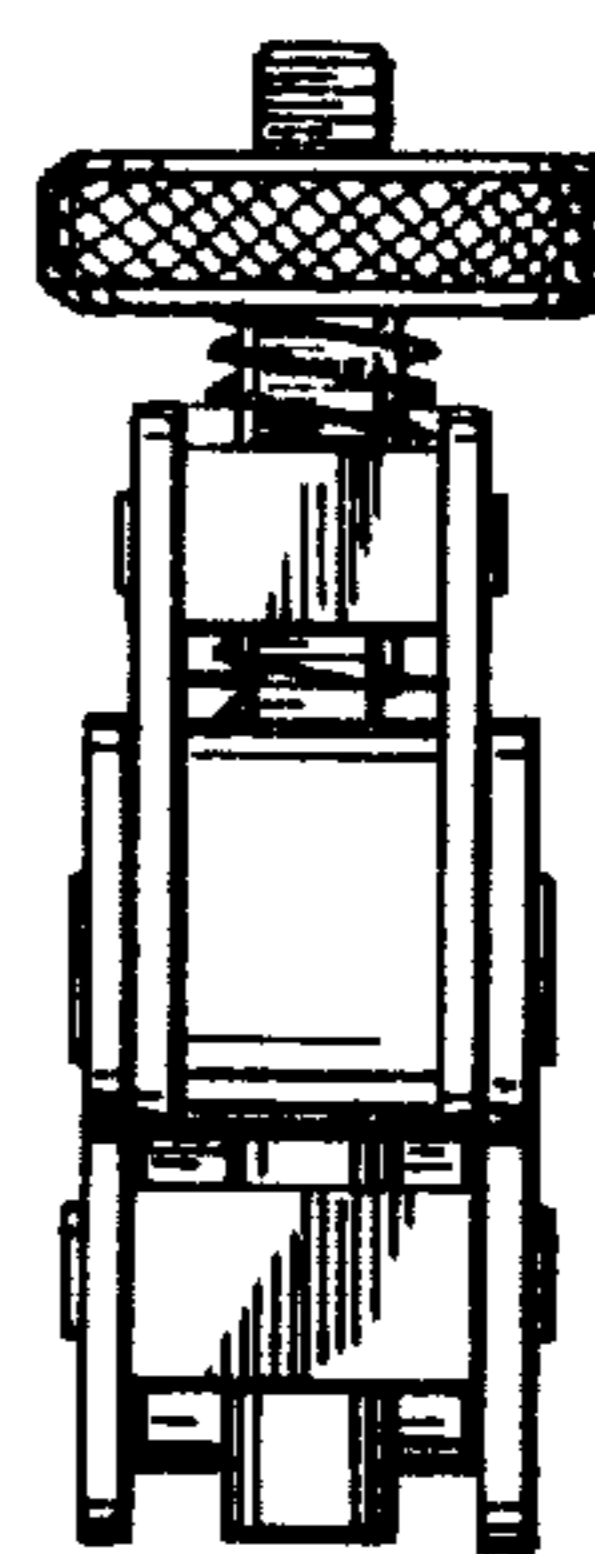
**Fig. 1**



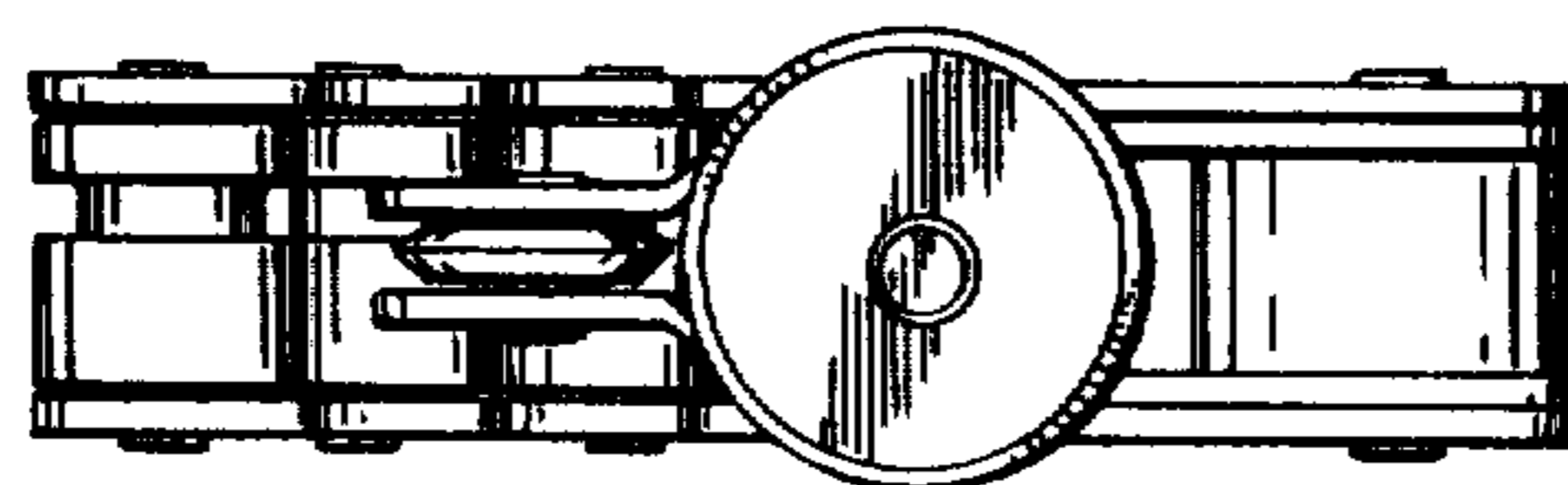
**Fig. 4**



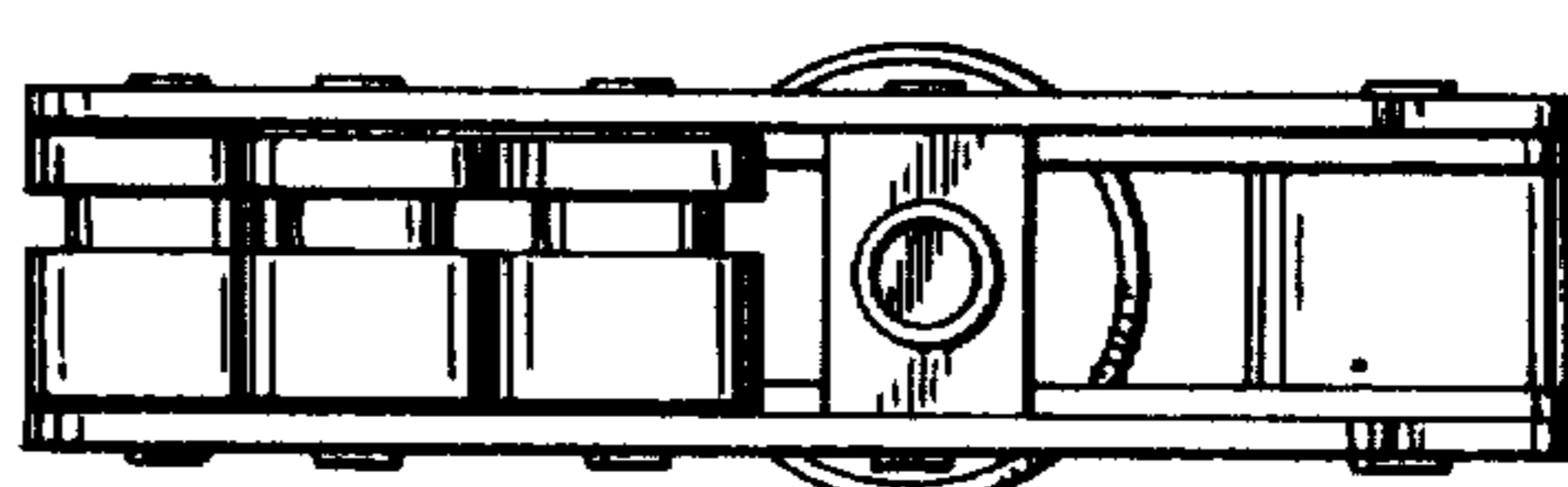
**Fig. 2**



**Fig. 5**



**Fig. 3**



**Fig. 6**