

[54] STEM FOR A GOBLET OR SIMILAR ARTICLE

[75] Inventors: William D. Gicking, Greensburg, Pa.; Heinz Frisch, Zwiesel, Fed. Rep. of Germany

[73] Assignee: American Stemware Corporation, Greensburg, Pa.

[**] Term: 14 Years

[21] Appl. No.: 309,617

[22] Filed: Oct. 7, 1981

[51] Int. Cl. D07-01

[52] U.S. Cl. D7/39; D7/13

[58] Field of Search D7/11, 12, 13, 6, 14, D7/39; 215/99.5

[56] References Cited

U.S. PATENT DOCUMENTS

D. 80,810	3/1930	Schaub	D7/13
D. 127,154	5/1941	Carlson	D7/13
D. 246,219	11/1977	Harbaugh et al.	D7/13

OTHER PUBLICATIONS

Libbey Glassware for the Foodservice Industry, p. 13, "Encore" Stemware, top left, and upper right col. of page.

Tableware International, Apr. 1980, p. 33, bottom left panel, "Rigadin" Stemware from Bormioli.

The Gift & Art Buyer, Apr. 1940, p. 45, The Strandpaul A. Straub & Co. Adv., Goblet shown.

Primary Examiner—Winifred E. Herrmann
Attorney, Agent, or Firm—Felfe & Lynch

[57] CLAIM

The ornamental design for a stem for a goblet or similar article, as shown and described.

DESCRIPTION

FIG. 1 is a side elevational view of a stem for a goblet or similar article showing our new design, the broken line disclosure of the bowl and base being illustrative of environmental structure only;

FIG. 2 is a cross-sectional view thereof taken on line 2-2 of FIG. 1 in the direction indicated; and

FIG. 3 is a cross-sectional view thereof taken on line 3-3 of FIG. 1 in the direction indicated.

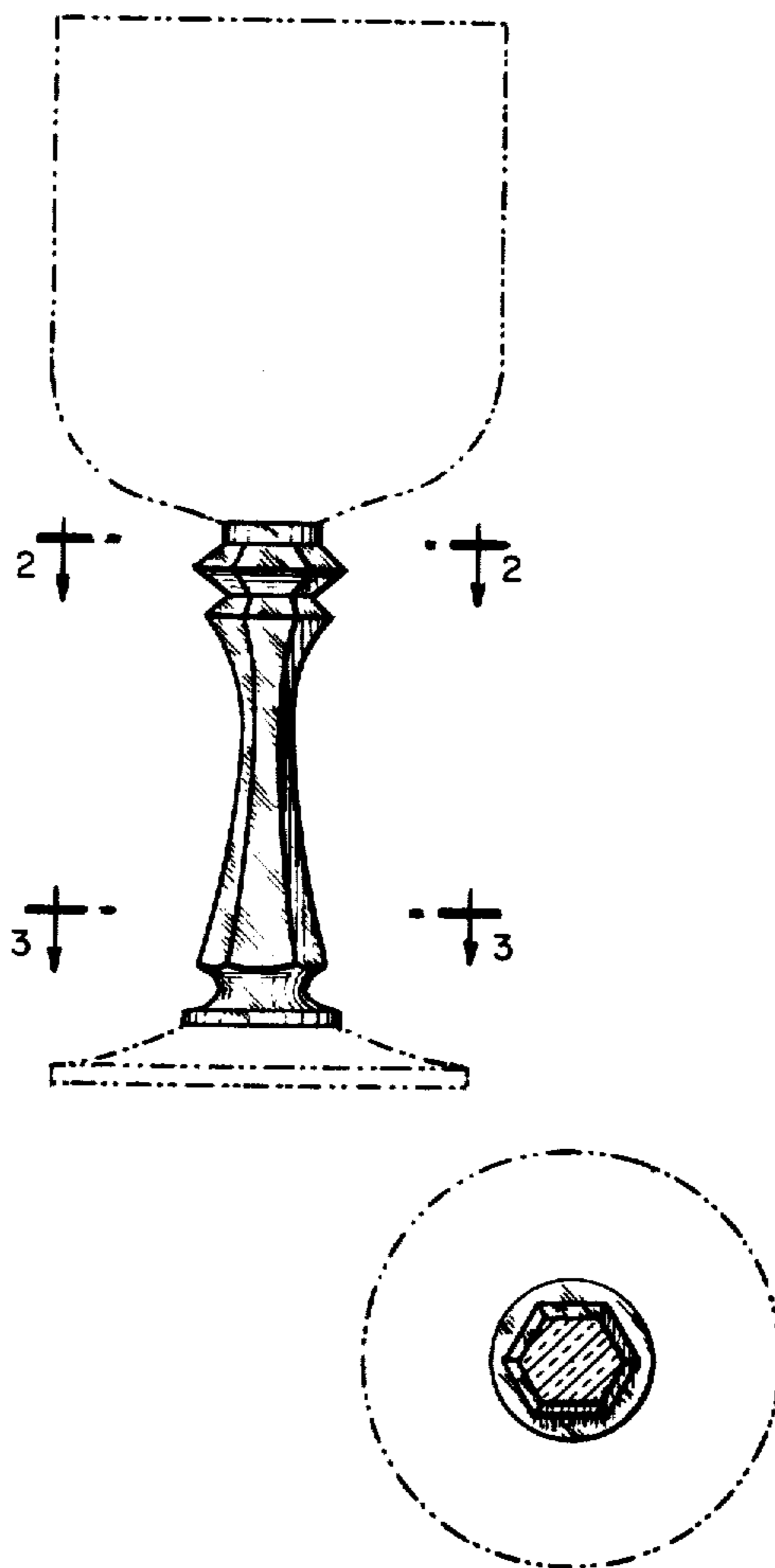


FIG. 1.

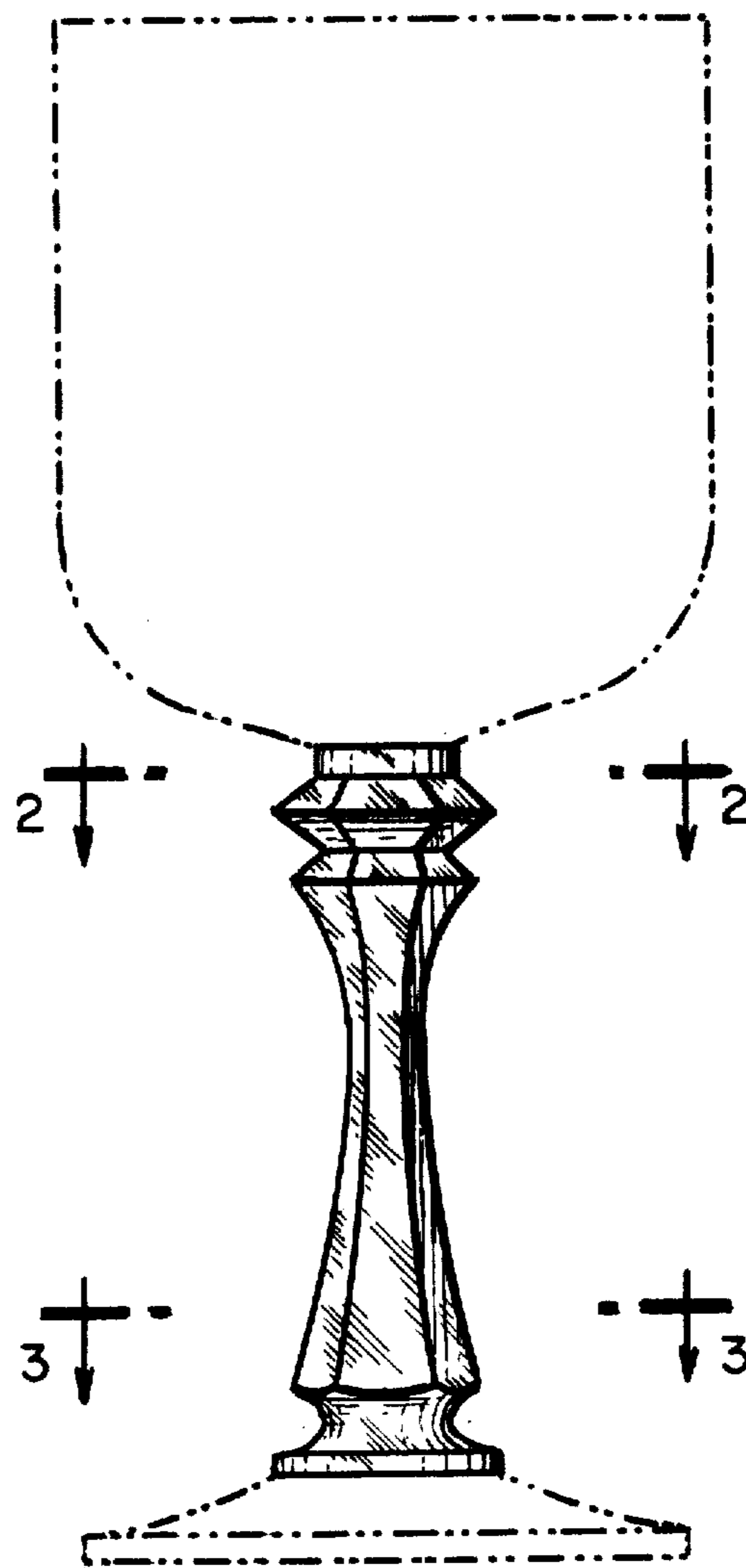


FIG. 2.

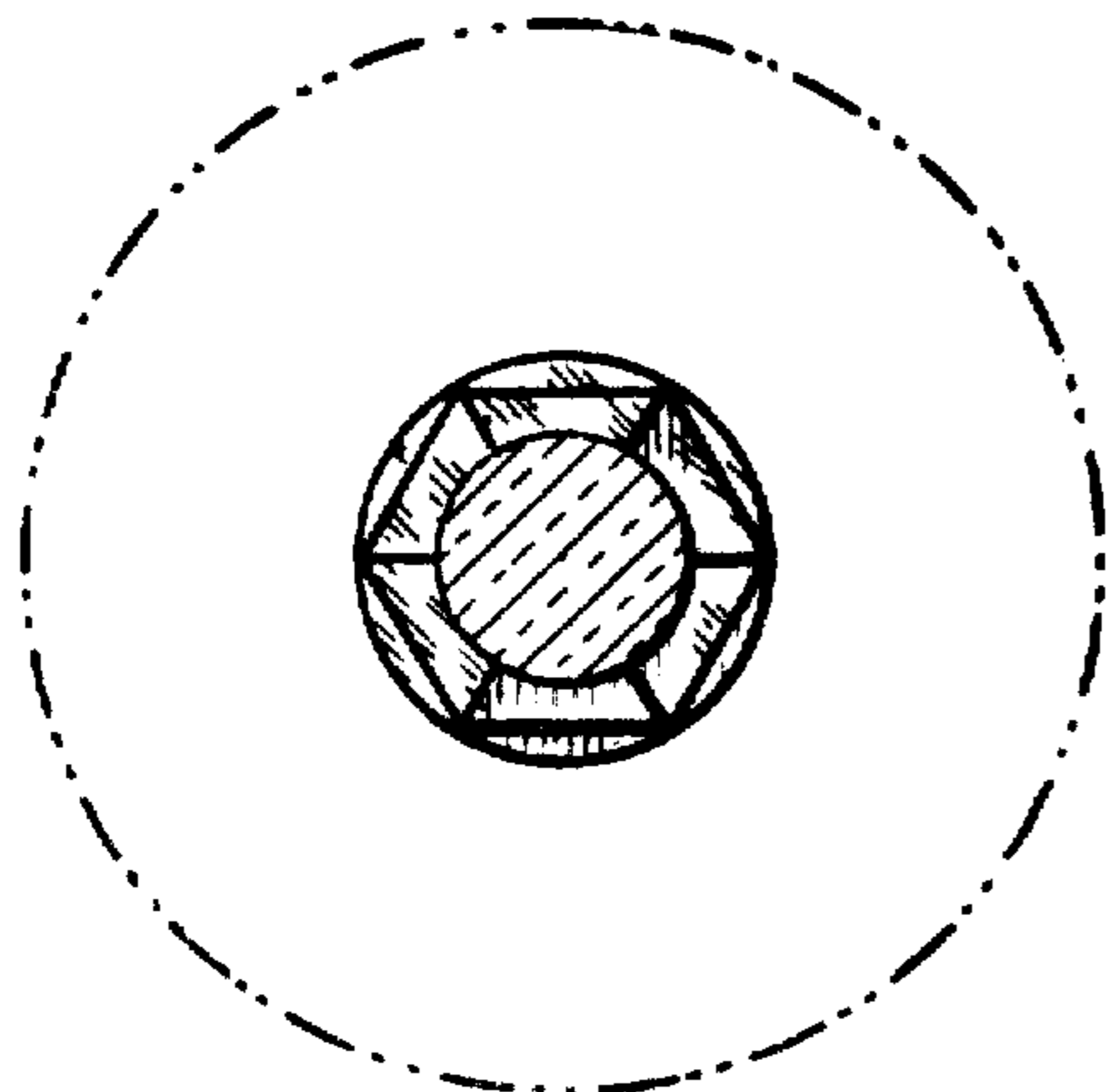


FIG. 3.

