

[54] NESTING PLAY CUSHIONS

4,293,965 10/1981 Hrubec D6/201

[76] Inventor: Joseph T. Fuller, 9977 Coca, Alta Loma, Calif. 91701

[**] Term: 14 Years

[21] Appl. No.: 263,986

[22] Filed: May 15, 1981

[51] Int. Cl. D6-09

[52] U.S. Cl. D6/201; D6/4; D21/108

[58] Field of Search D6/4, 5, 201, 202; D21/107, 108; 297/DIG. 1; 5/465

[56] References Cited

U.S. PATENT DOCUMENTS

- D. 235,039 5/1975 Olsen D6/4
- D. 263,323 3/1982 Simpson et al. D21/107
- 3,672,720 6/1972 Wilson 297/DIG. 1

OTHER PUBLICATIONS

Spiel Naf Collection Flyer, from Toy Fair, Items #'s 509, 534 & 540.

Primary Examiner—Jane E. Corrigan
Attorney, Agent, or Firm—Fulwider, Patton, Rieber, Lee & Utecht

[57] CLAIM

The ornamental design for nesting play cushions, substantially as shown and described.

DESCRIPTION

FIG. 1 is a front, top and left side perspective view of nesting play cushions showing my new design; FIG. 2 is a rear elevational view; FIG. 3 is a right side elevational view; FIG. 4 is a bottom plan view; and FIG. 5 is an exploded front, top and left side perspective view.

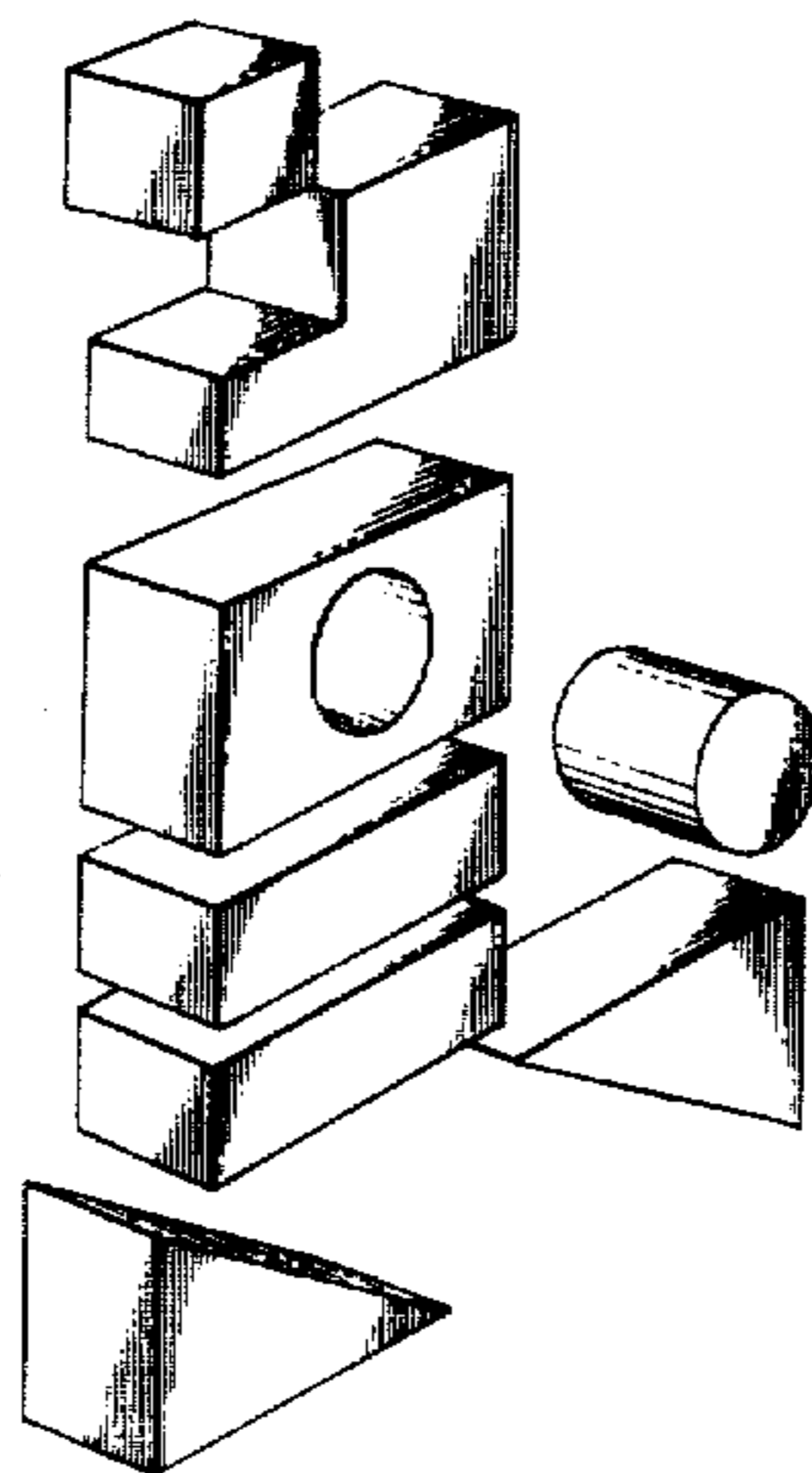
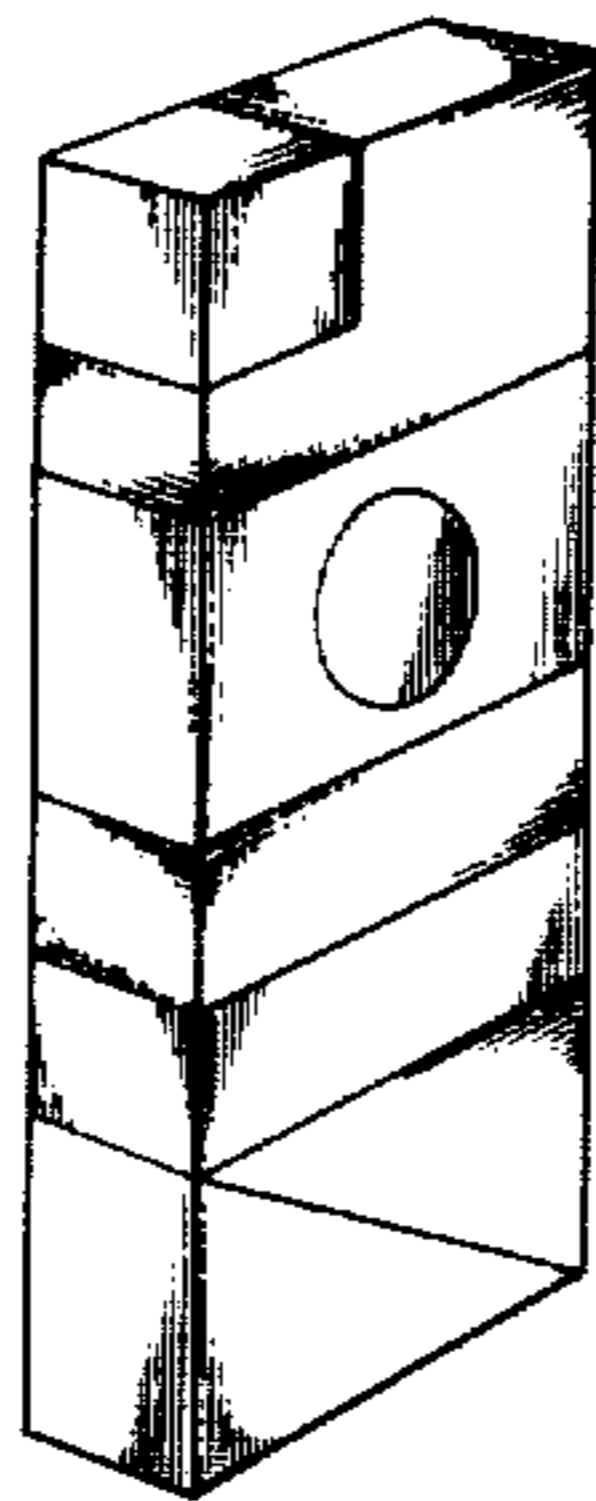


Fig. 1

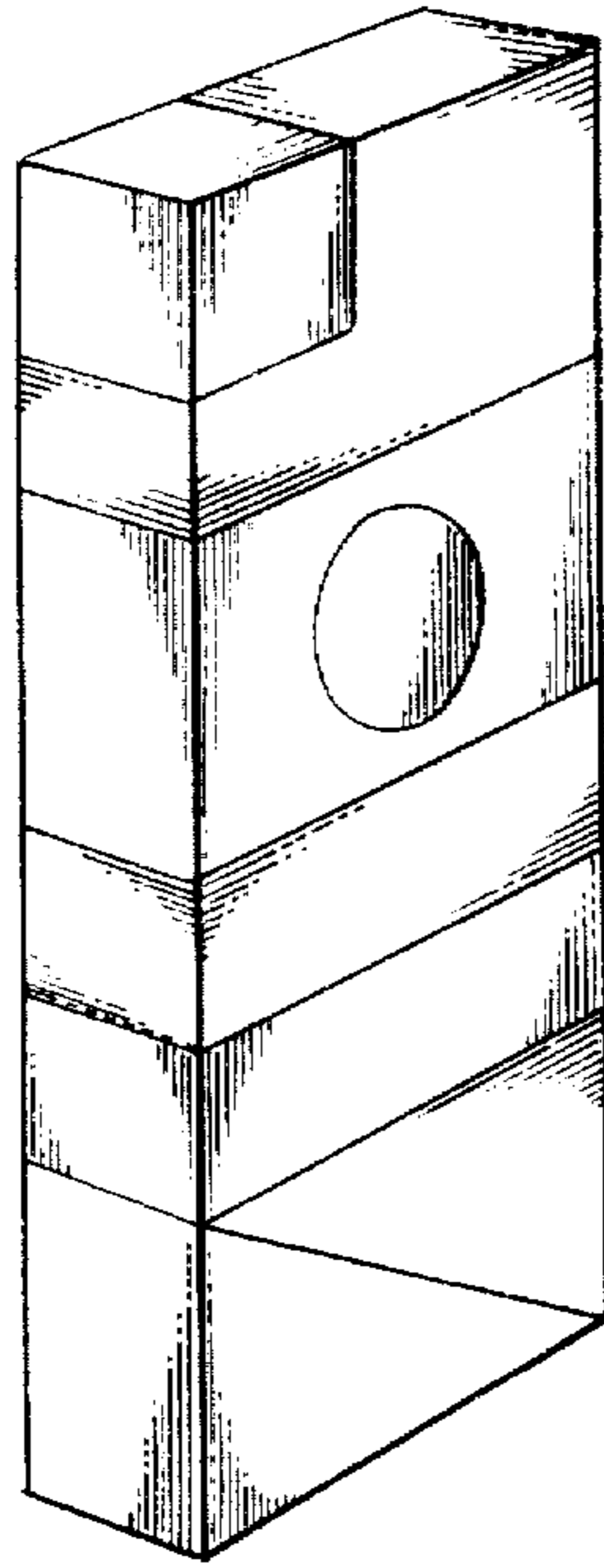


Fig. 2

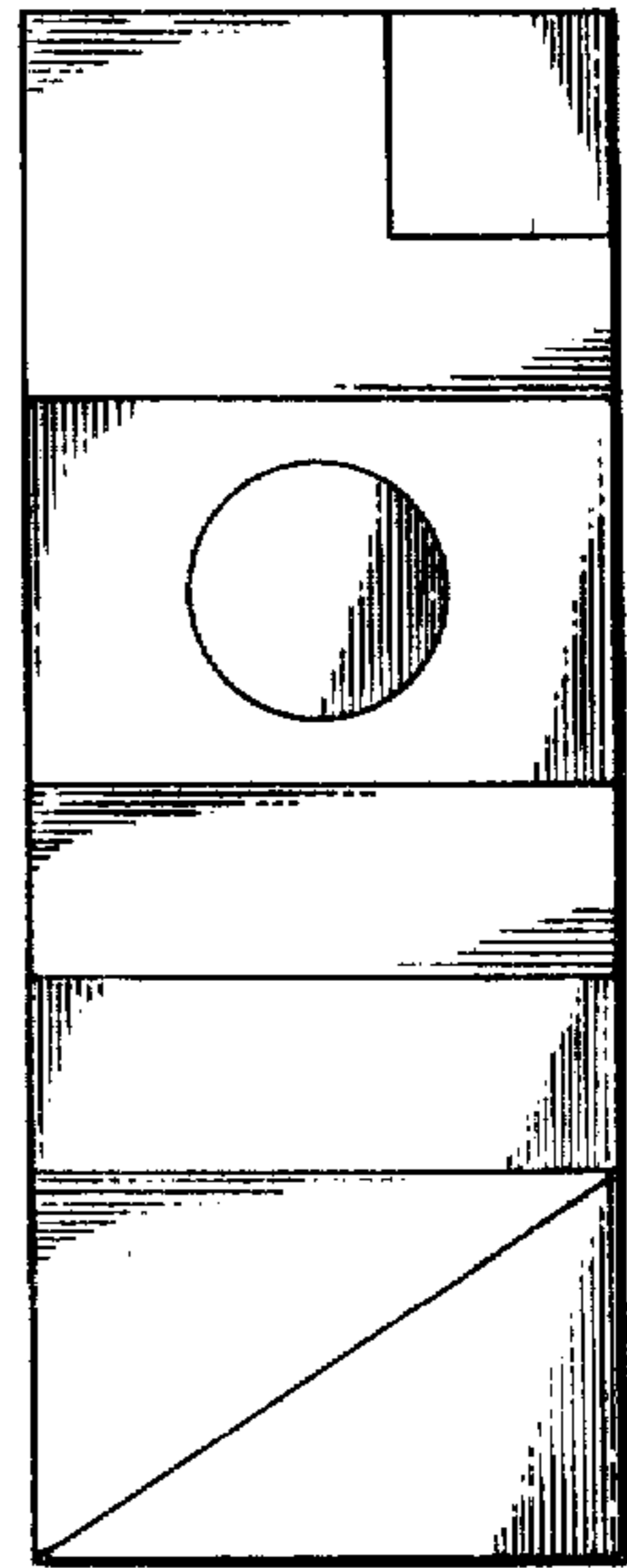


Fig. 4



Fig. 3

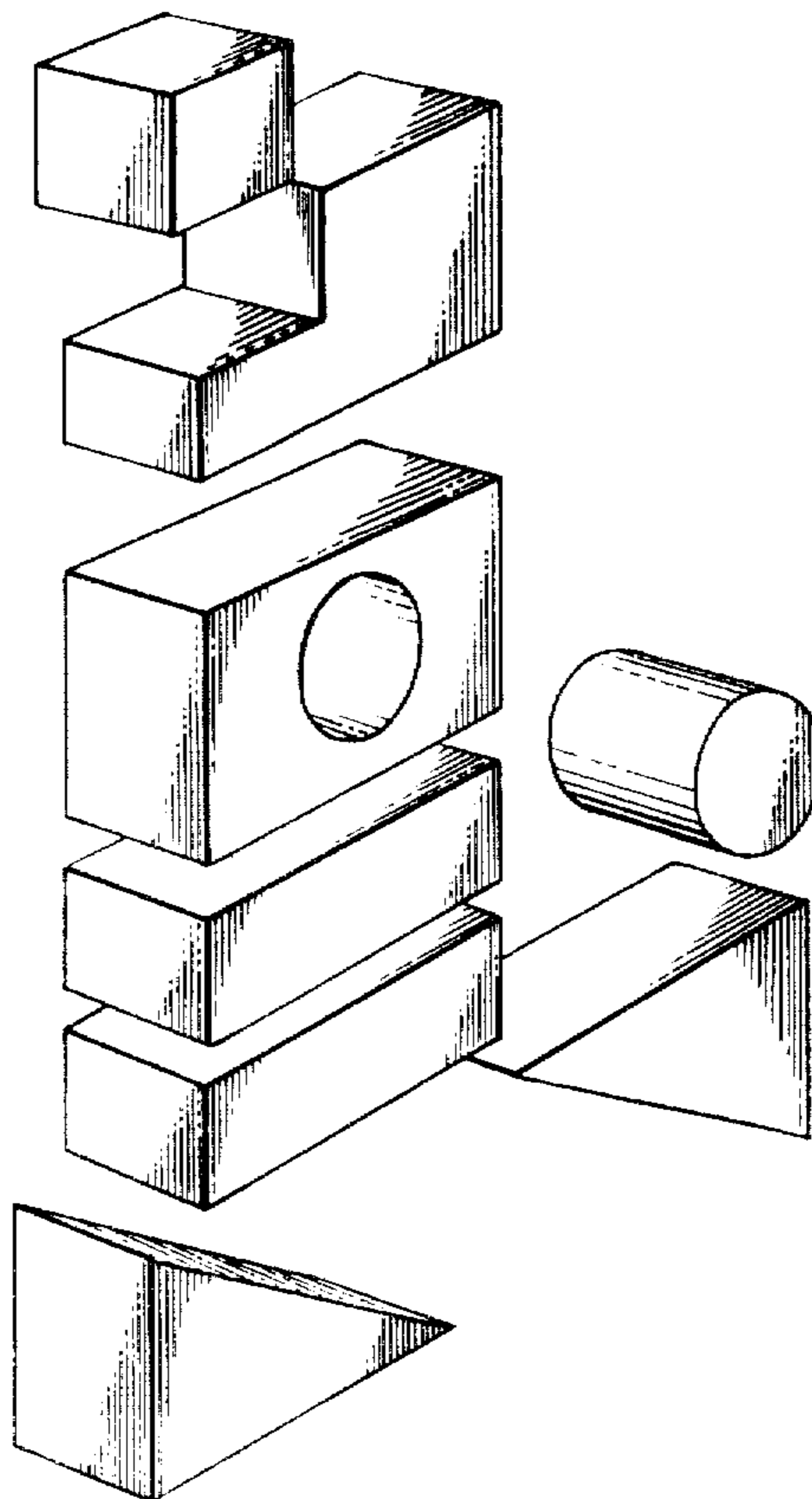


Fig. 5