

[54] TABLE TOP

[76] Inventor: Edward J. Creske, P.O. Box 1520, Wausau, Wis. 54401

[**] Term: 14 Years

[21] Appl. No.: 249,141

[22] Filed: Mar. 30, 1981

[51] Int. Cl. D6-06

[52] U.S. Cl. D6/192; D6/146; D6/188

[58] Field of Search D6/20-29, D6/146-149, 191, 192, 175, 177; D7/37, 38, 107

[56] References Cited

U.S. PATENT DOCUMENTS

D. 31,157 7/1899 Stover D6/192

D. 240,174 6/1976 Moore, Jr. D6/146 X
D. 250,685 1/1979 Insalaco D6/146
D. 253,931 1/1980 DeVischer et al. D6/146 X
D. 258,103 2/1981 Baker D6/146
2,789,873 4/1957 Gonder D6/177 X

Primary Examiner—Bruce W. Dunkins
Attorney, Agent, or Firm—John S. Roberts, Jr.

[57] CLAIM

The ornamental design for a table top, as shown and described.

DESCRIPTION

FIG. 1 is a perspective view of the tabletop in its association with a receptacle;
FIG. 2 is a plan view thereof;
FIG. 3 is a sectional view taken along the line 3—3 of FIG. 2 and looking in the direction of the arrows thereof.

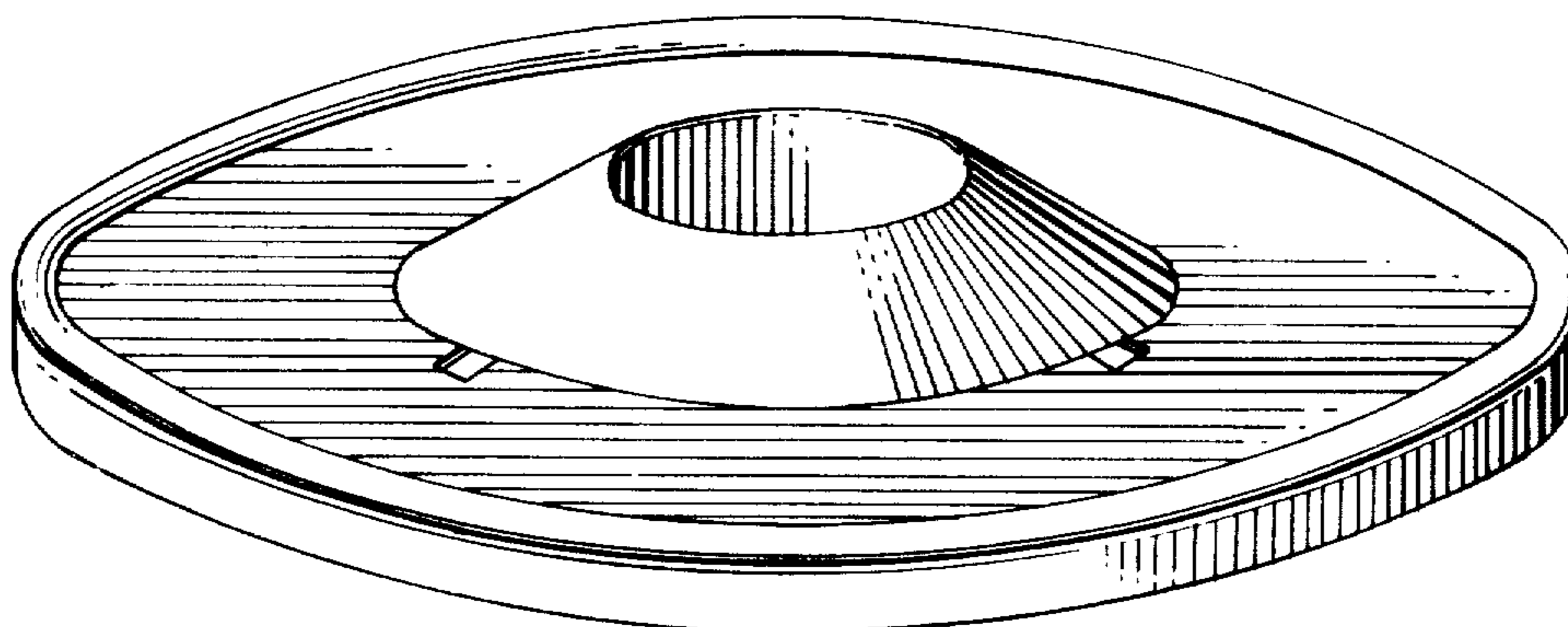


FIG. 1.

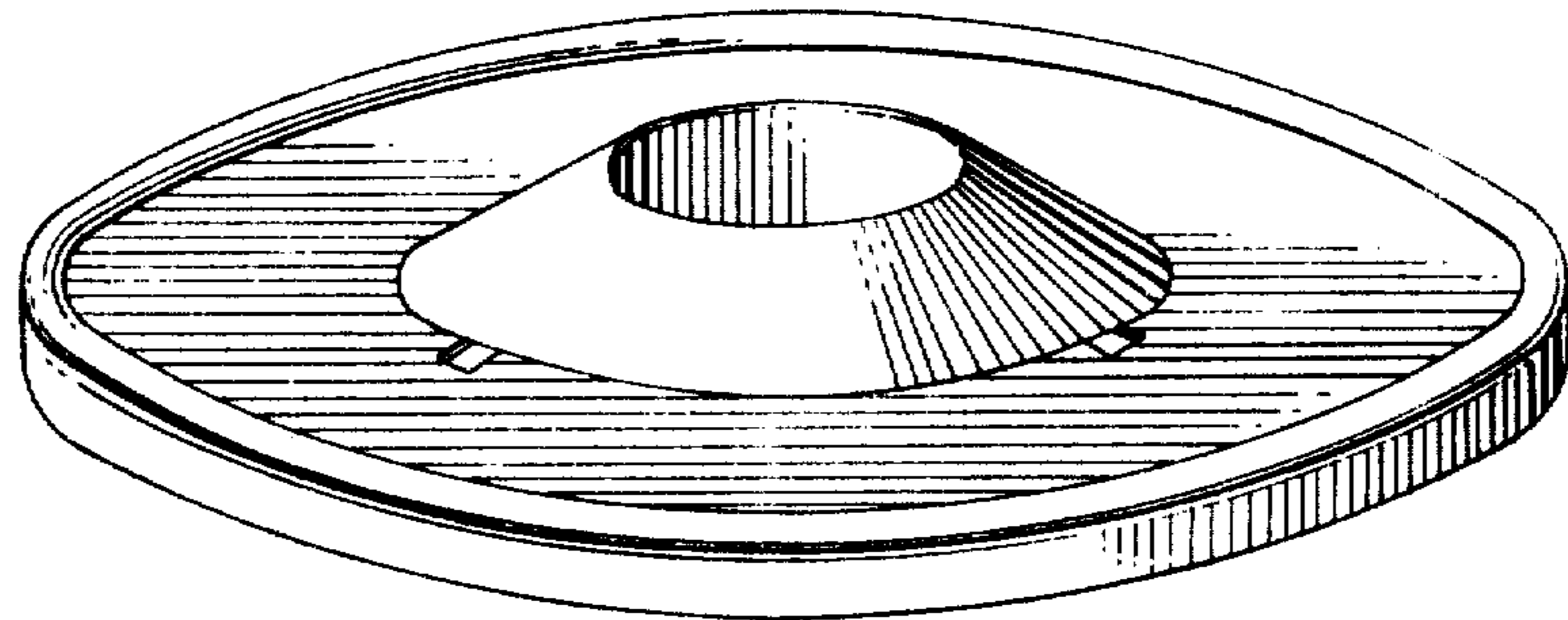


FIG. 2.

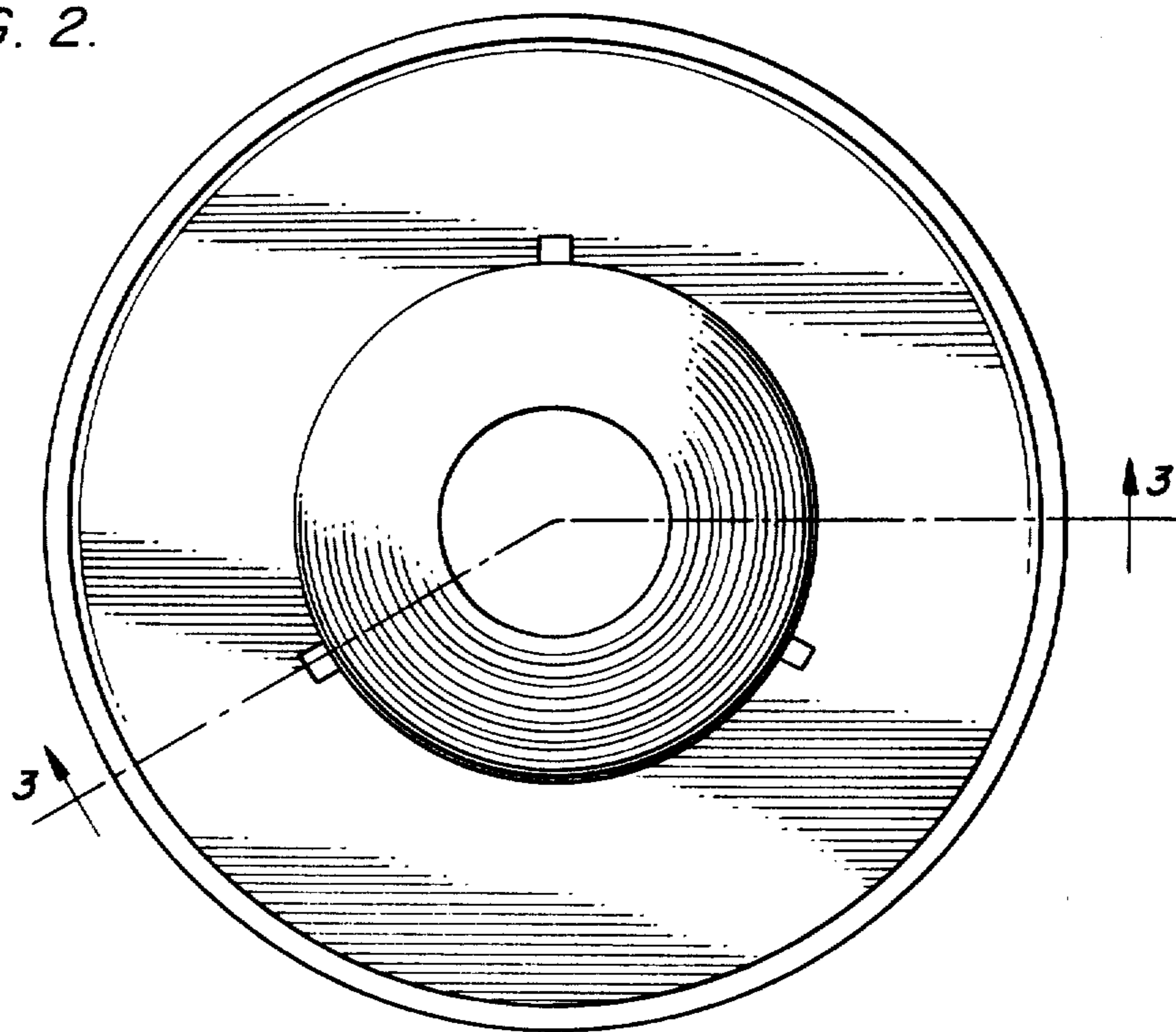


FIG. 3.

