

[54] **SEWING MACHINE**

[75] **Inventor:** Willi Meier, Karlsruhe, Fed. Rep. of Germany

[73] **Assignee:** Dorina Nähmaschinen GmbH, Fed. Rep. of Germany

[**] **Term:** 14 Years

[21] **Appl. No.:** 270,919

[22] **Filed:** Jun. 5, 1981

[30] **Foreign Application Priority Data**

Jan. 8, 1981 [DE] Fed. Rep. of Germany MR VIII/161

[51] **Int. Cl.** D15-06

[52] **U.S. Cl.** D15/70

[58] **Field of Search** D15/66, 68, 69, 70, D15/71, 72, 73, 74, 75, 76; 112/258, 259, 260, 275, 277, 270, 217.4

[56] **References Cited**

U.S. PATENT DOCUMENTS

D. 238,207 12/1975 Fox D15/76
3,204,594 9/1965 Dreyfuss 112/258
4,040,368 8/1977 Marforio 112/258
4,280,420 7/1981 Nishida et al. D15/66 X

Primary Examiner—Joel Stearman
Assistant Examiner—Carmen H. Vales
Attorney, Agent, or Firm—McGlew and Tuttle

[57] **CLAIM**

The ornamental design for a sewing machine, as shown and described.

DESCRIPTION

FIG. 1 is a front perspective view of a sewing machine showing my new design;
FIG. 2 is a rear perspective view thereof;
FIG. 3 is a front perspective view with the floor panel in closed position;
FIG. 4 is a rear perspective view thereof;
FIG. 5 is a front perspective view with the handle in extended position; and
FIG. 6 is a front perspective view with the top cover in open position.

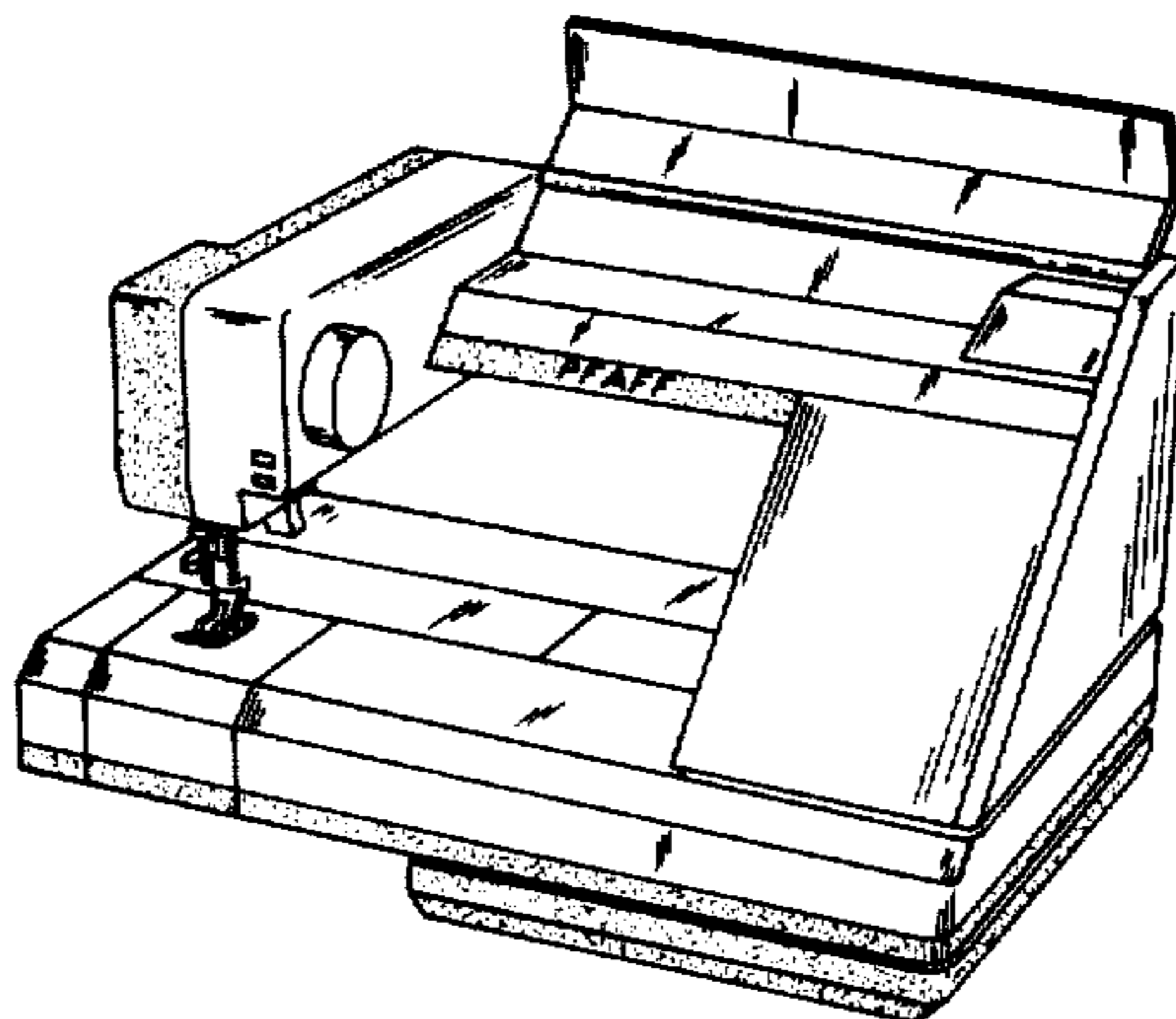
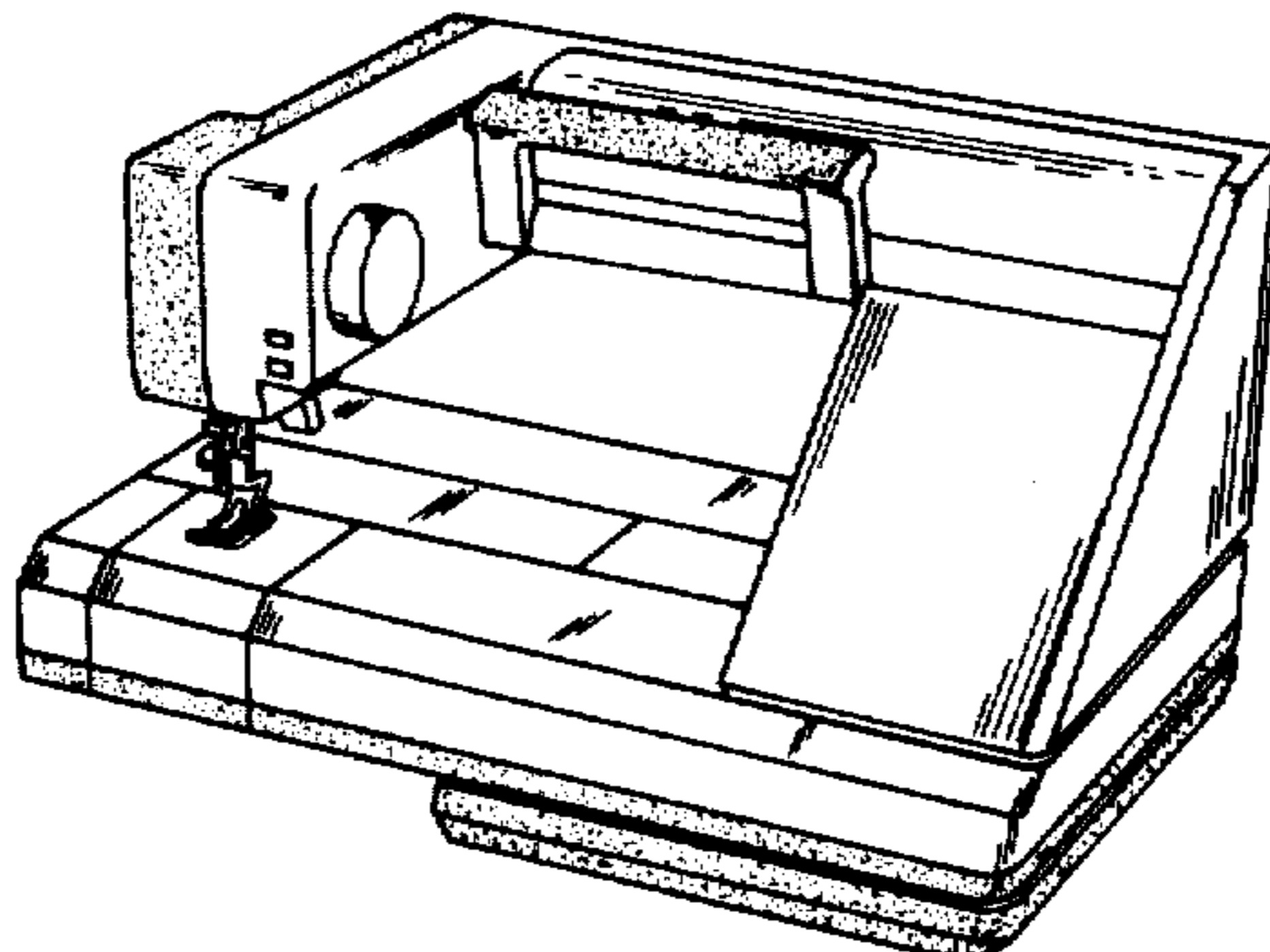


Fig. 1

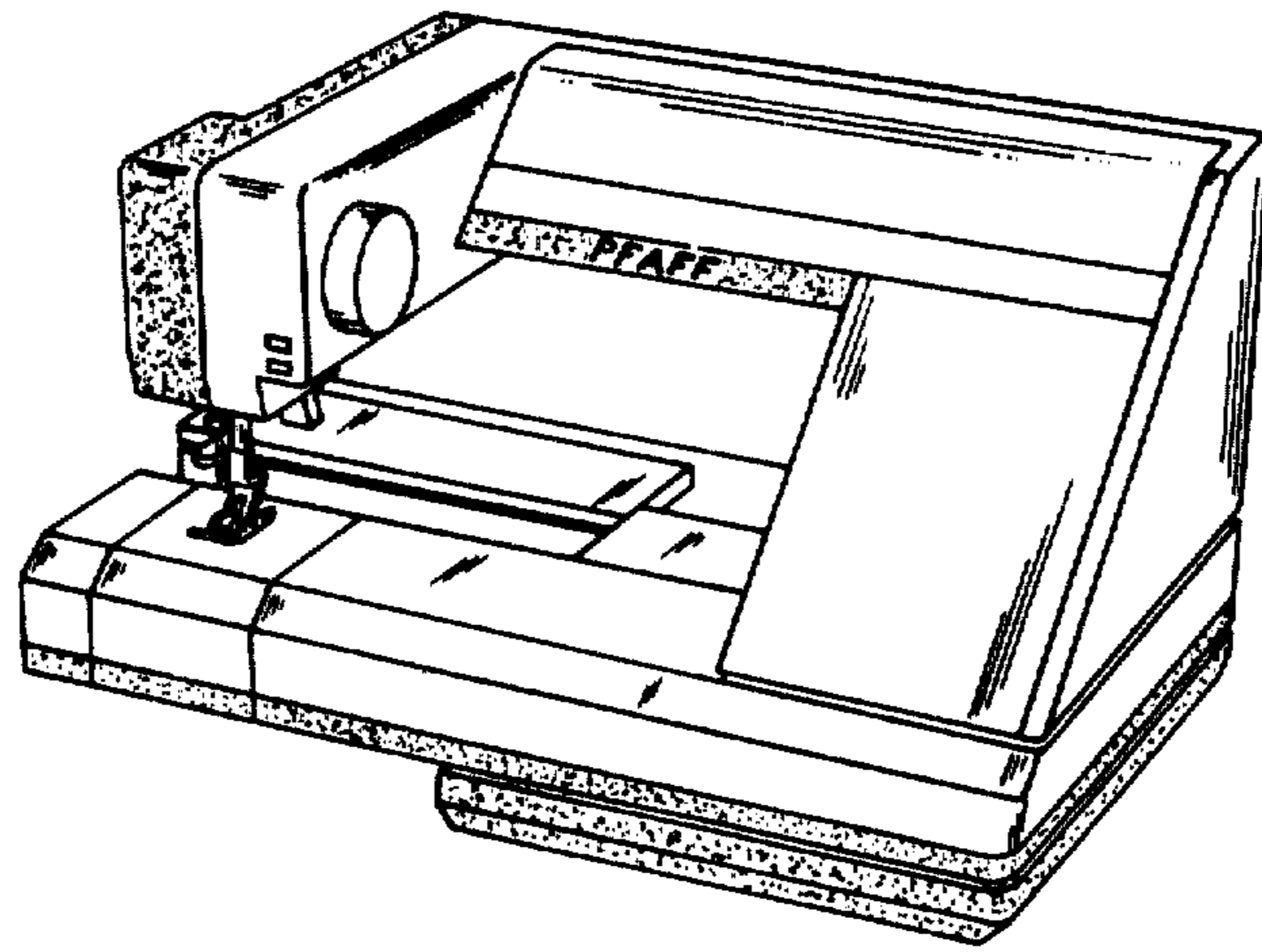


Fig. 2

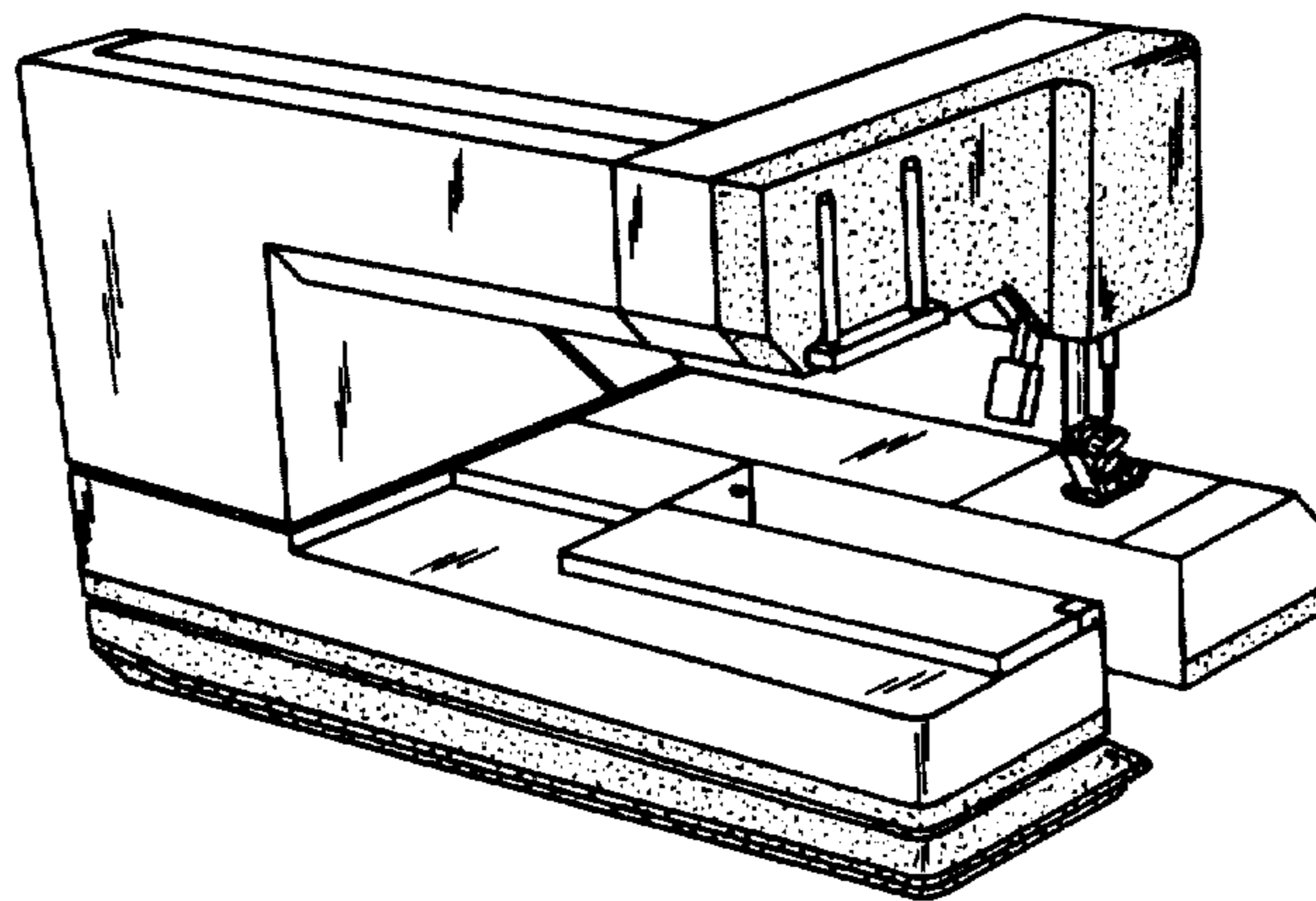


Fig. 3

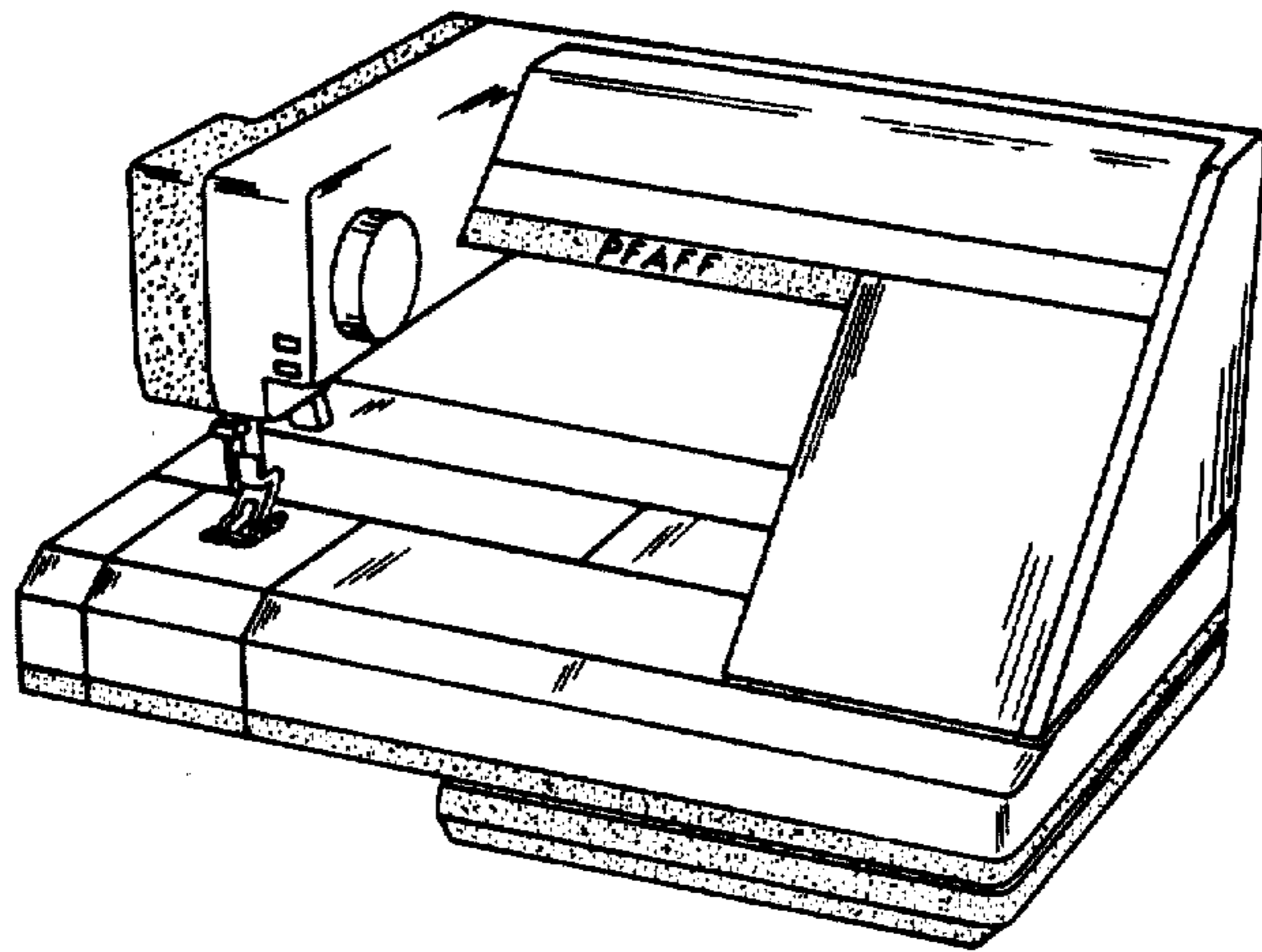


Fig. 4

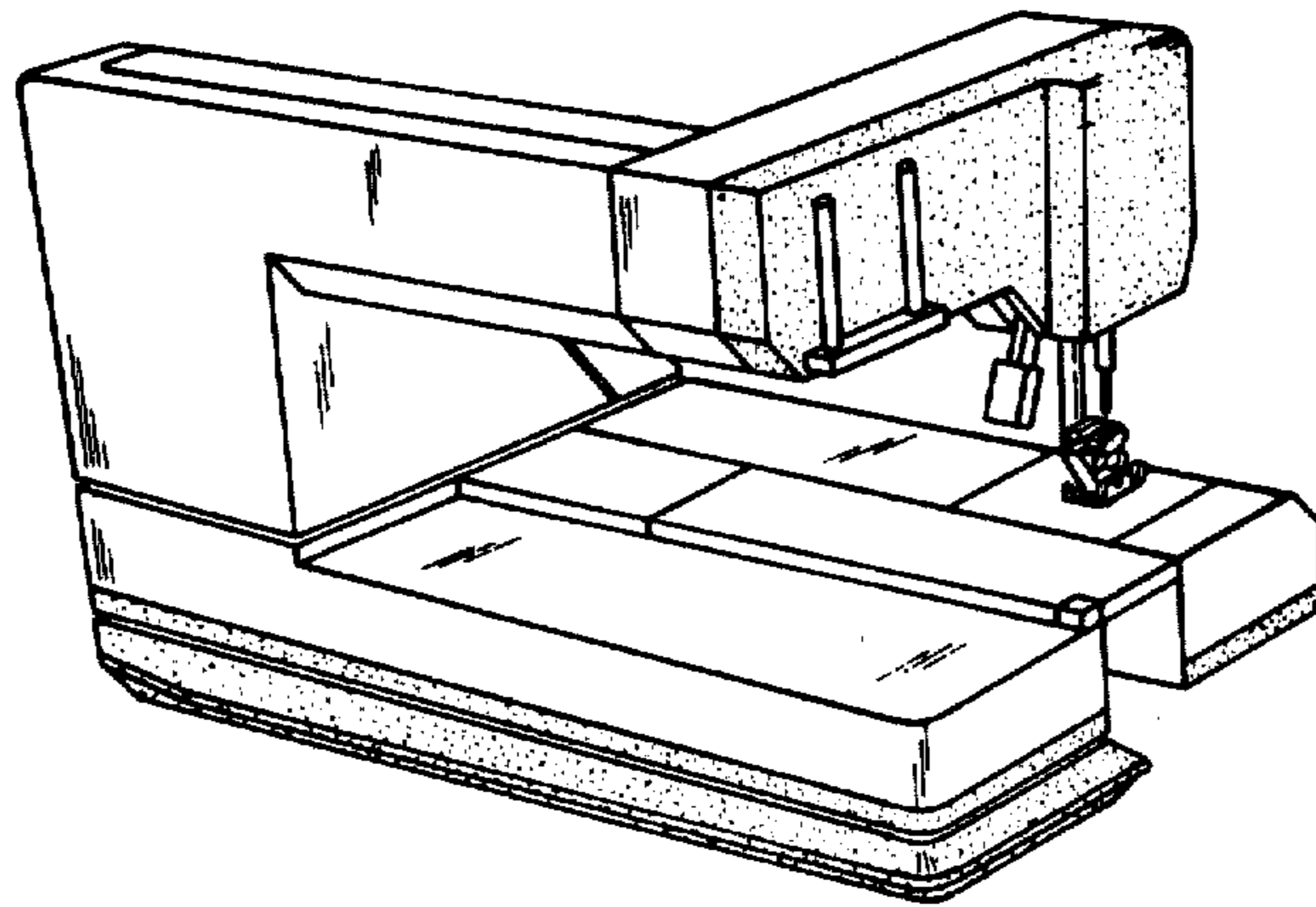


Fig. 5

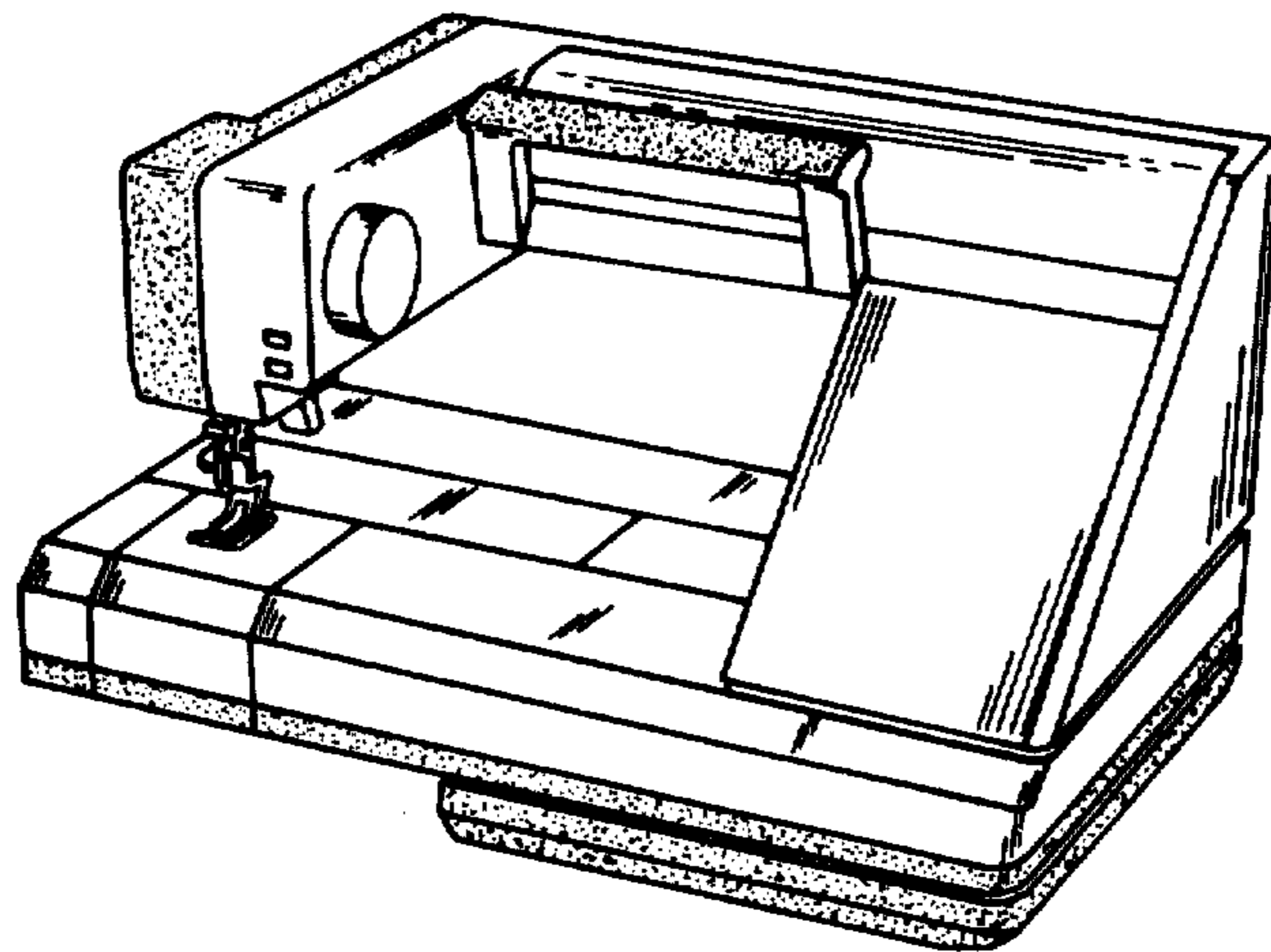


Fig. 6

