

[54] SUPPORT TABLE FOR ELECTRONIC EQUIPMENT

3,347,184 10/1967 Kiraly D6/156 X
4,077,333 3/1978 Ballas D6/27 X

[75] Inventors: Arthur H. Umanoff, Ardsley; Alain Huin, Mount Kisco, both of N.Y.

Primary Examiner—Bruce W. Dunkins
Attorney, Agent, or Firm—Neuman, Williams, Anderson & Olson

[73] Assignee: Hon Industries Inc., Muscatine, Iowa

[57] CLAIM

[**] Term: 14 Years

The ornamental design for a support table for electronic equipment, as shown and described.

[21] Appl. No.: 272,377

DESCRIPTION

[22] Filed: Jun. 10, 1981

[51] Int. Cl. D6—03

FIG. 1 is a perspective view generally viewed as from above, of a support table for electronic equipment showing my new design.

[52] U.S. Cl. D6/23; D6/27; D6/177

FIG. 2 is a right side elevation view of my design disclosed in FIG. 1.

[58] Field of Search D6/20, 23, 24, 27, 146, D6/149, 175, 177, 178, 179; 108/6, 59, 92, 93

FIG. 3 is a left side elevation view of my design disclosed in FIG. 1.

[56] References Cited

U.S. PATENT DOCUMENTS

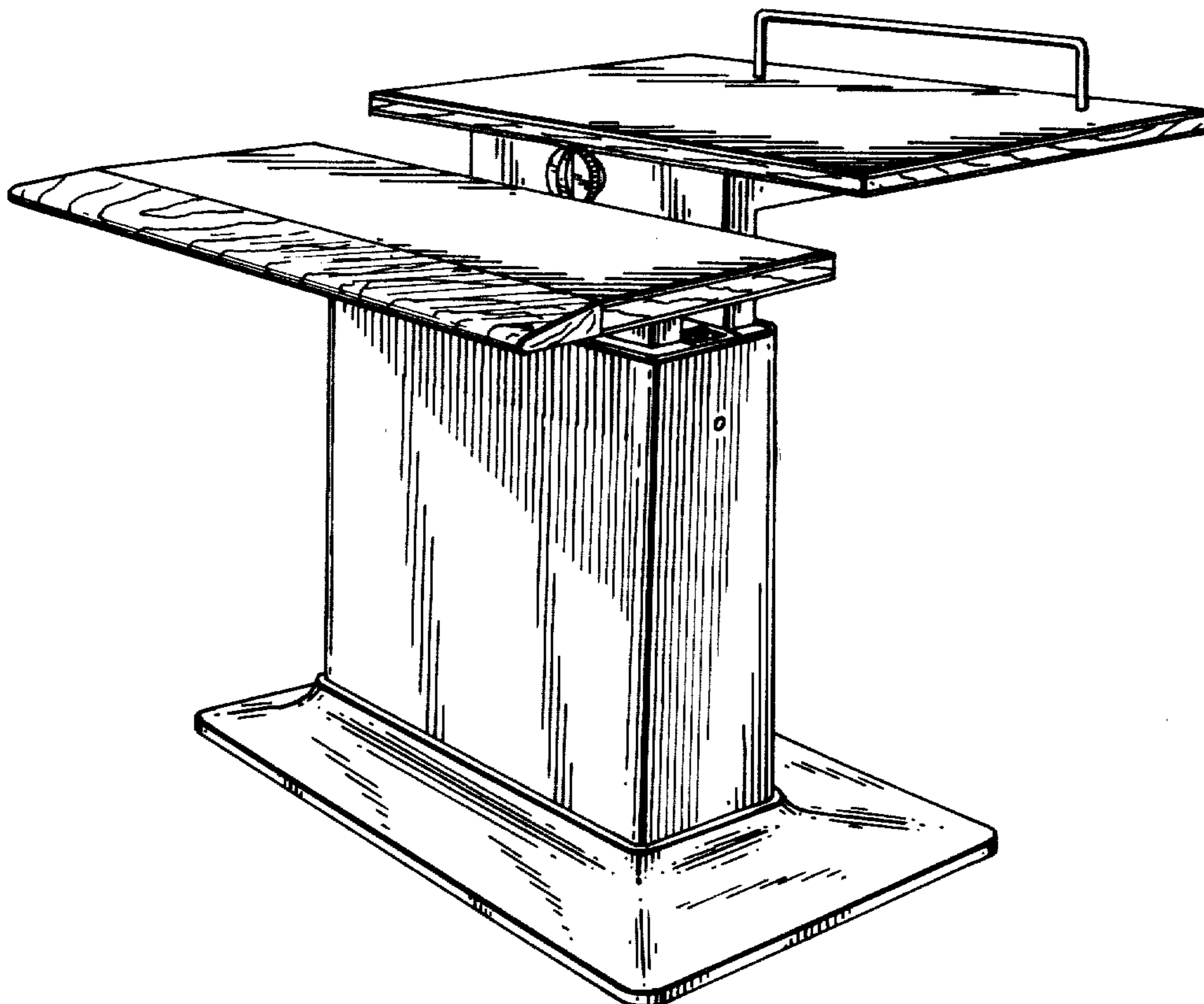
- D. 145,808 10/1946 LaPidus D6/156
- D. 214,473 6/1969 Plessinger D6/20
- D. 239,071 3/1976 Robson D6/27
- D. 254,747 4/1980 O'Meara D6/27 X

FIG. 4 is a front view of my design disclosed in FIG. 1.

FIG. 5 is a back view of my design disclosed in FIG. 1.

FIG. 6 is a top plan view of my design disclosed in FIG. 1.

FIG. 7 is a view in bottom plan of my design disclosed in FIG. 1.



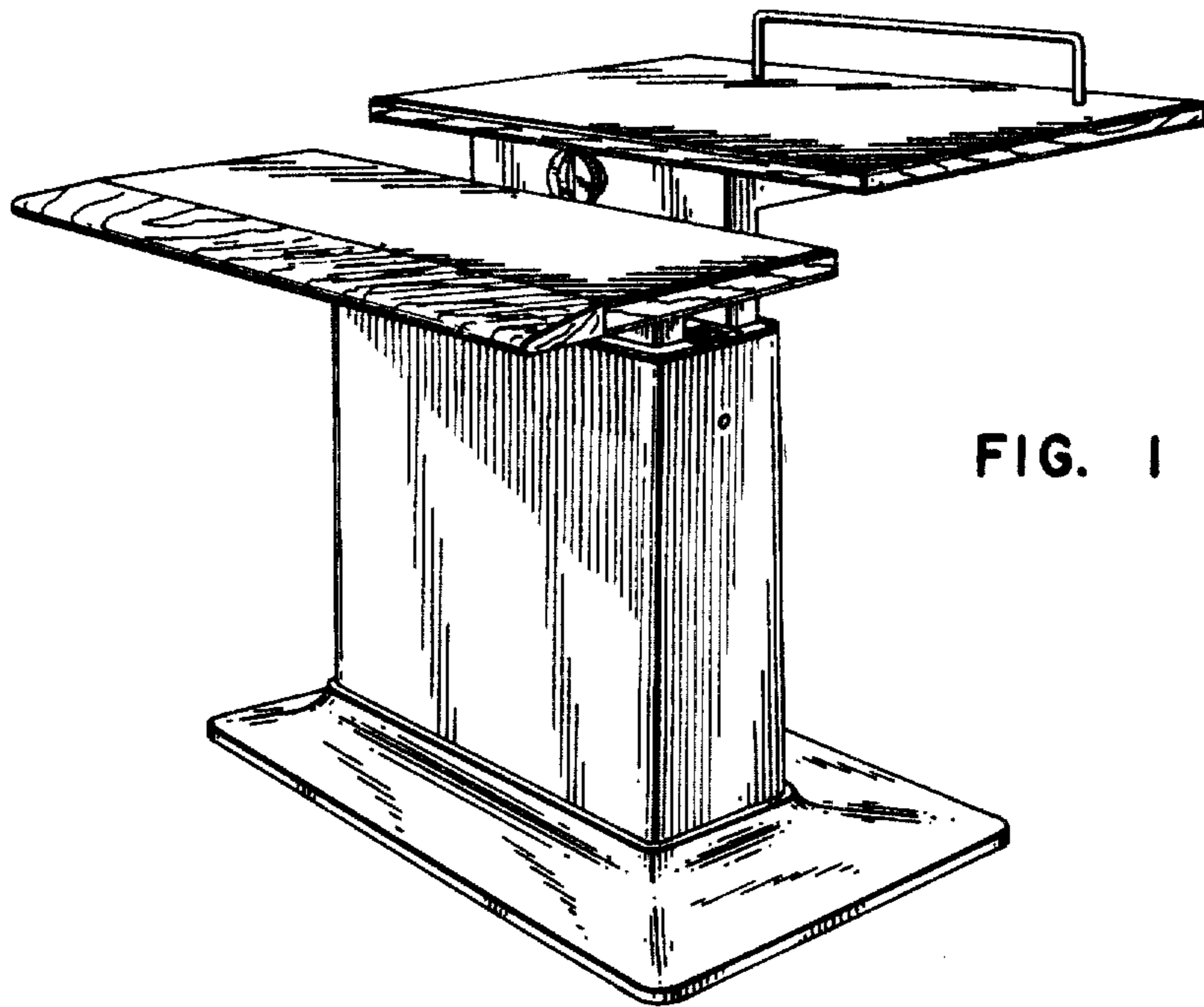


FIG. 1

FIG. 2

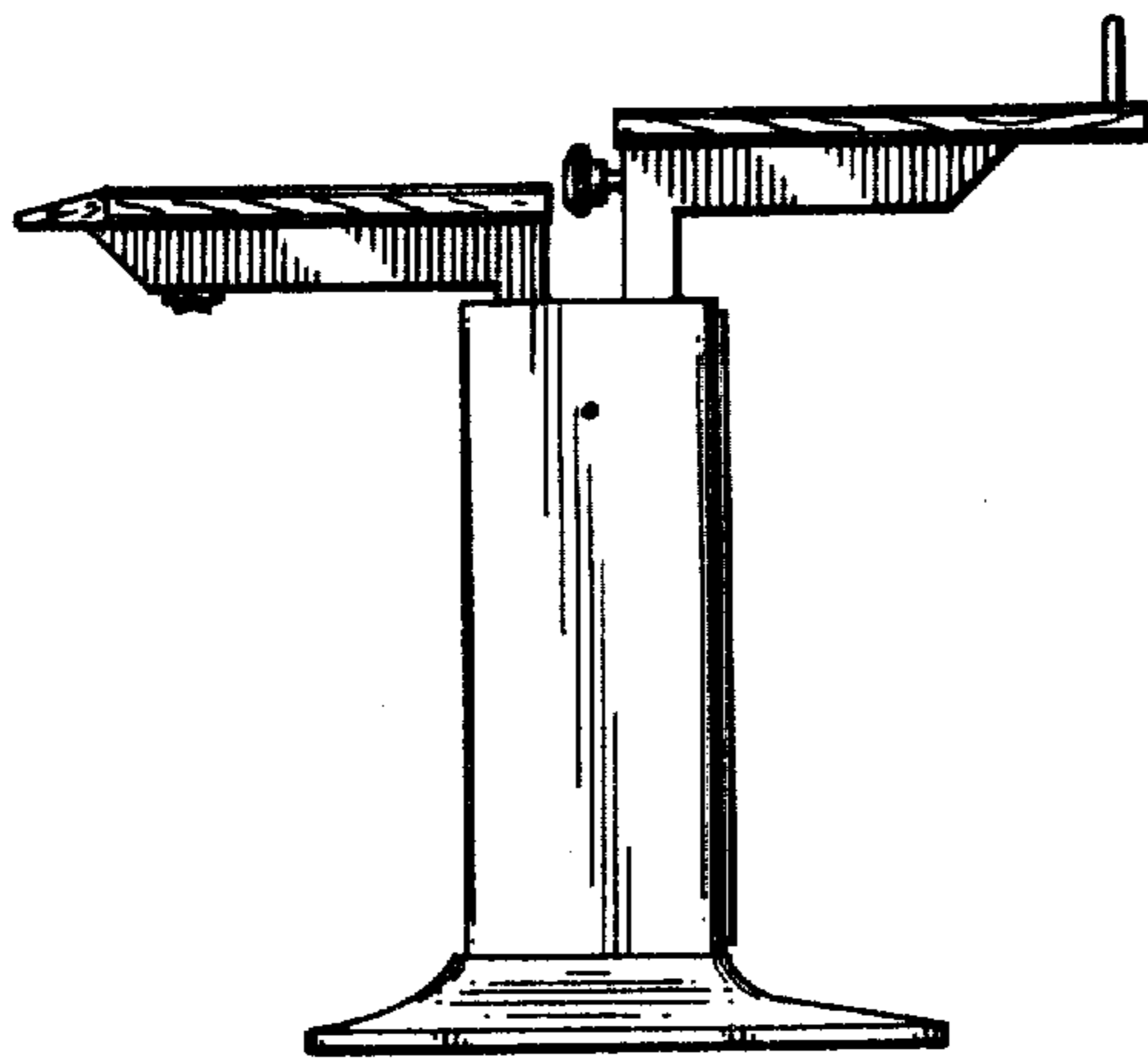


FIG. 3

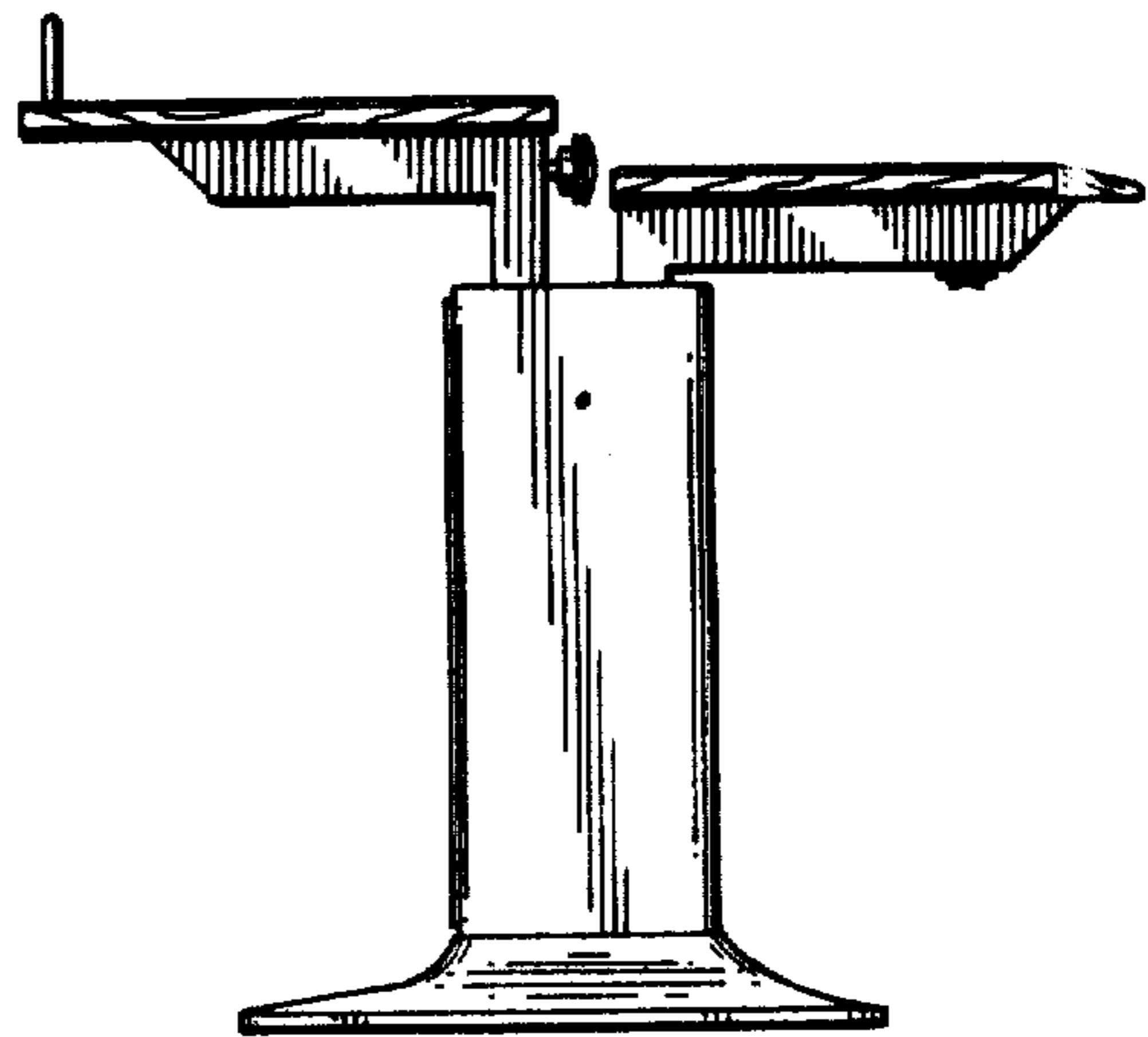


FIG. 4

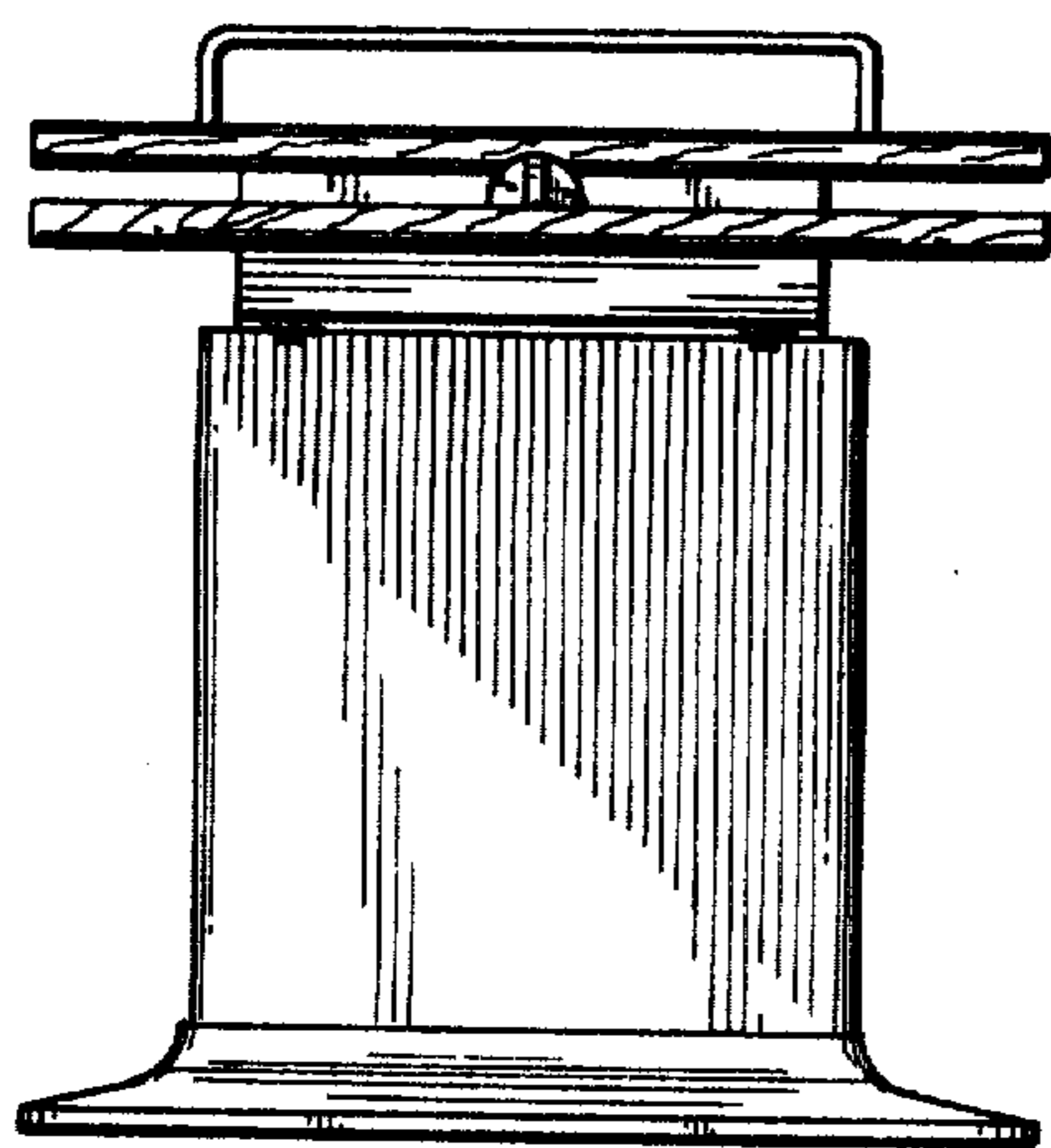


FIG. 5

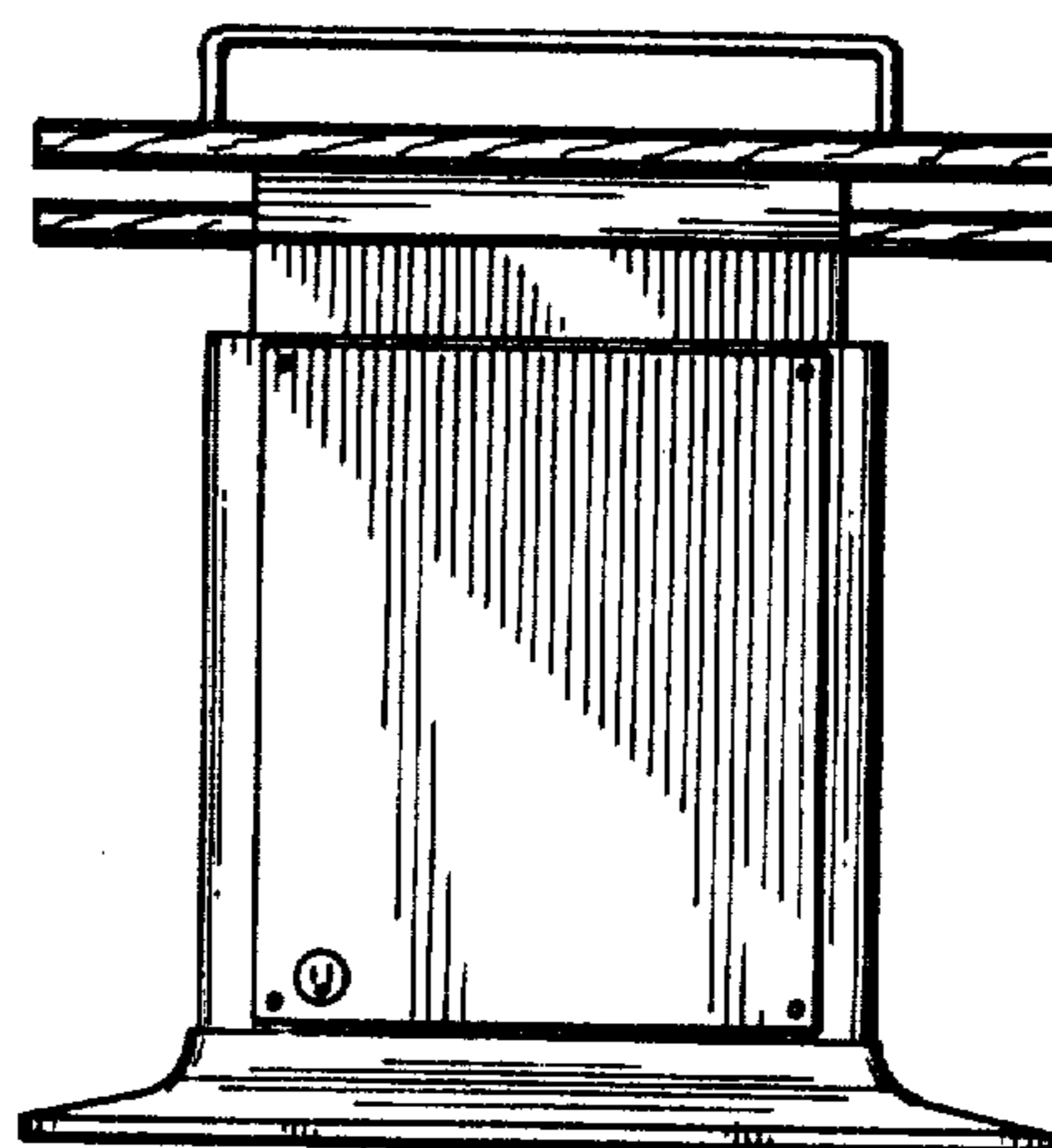


FIG. 6

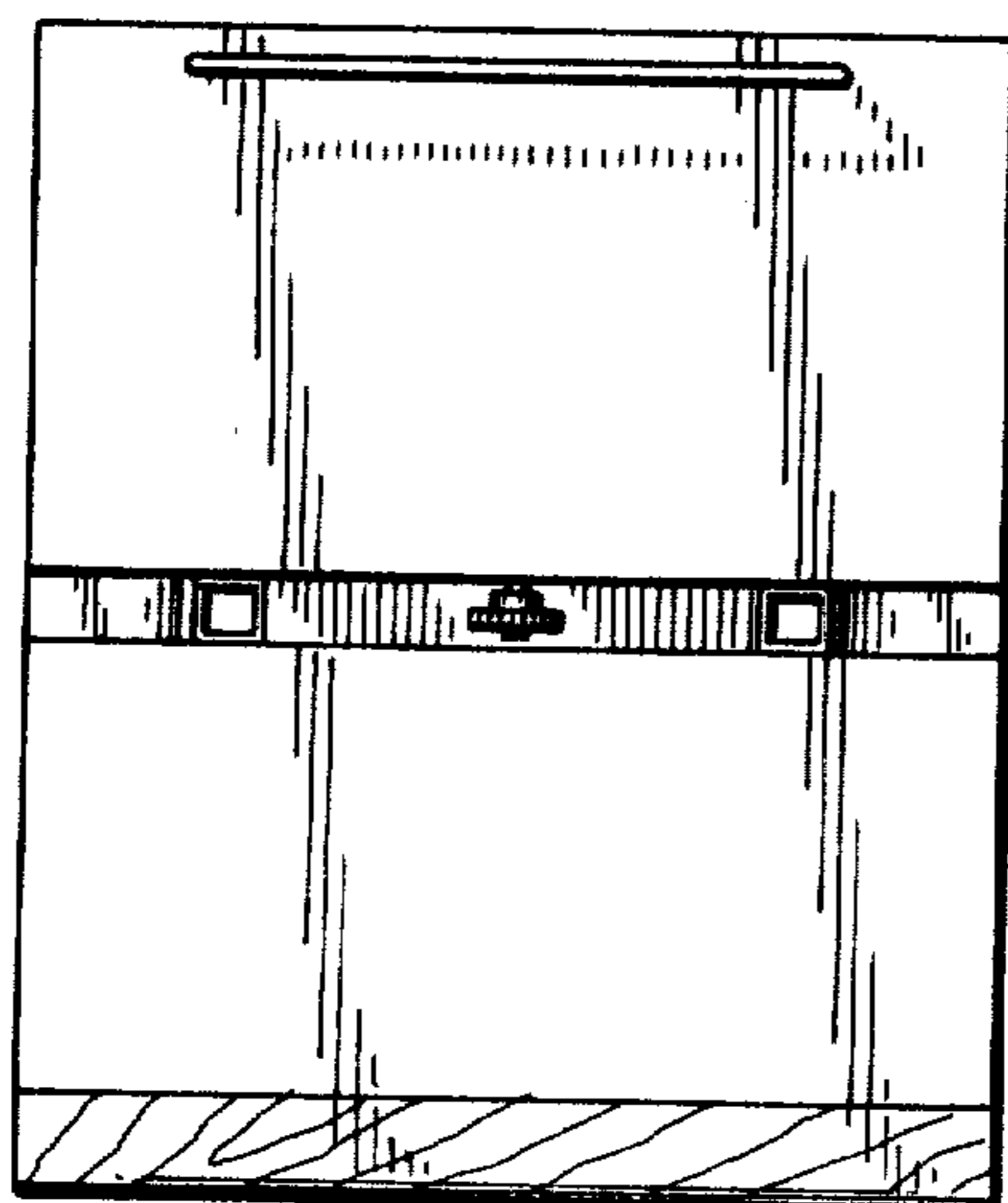


FIG. 7

