

[54] COMBINED TABLE AND SIDE EXTENSION UNIT FOR SUPPORTING ELECTRONIC EQUIPMENT

[75] Inventors: Arthur H. Umanoff, Ardsley; Alain Huin, Mount Kisco, both of N.Y.

[73] Assignee: Hon Industries Inc., Muscatine, Iowa

[**] Term: 14 Years

[21] Appl. No.: 272,309

[22] Filed: Jun. 10, 1981

[51] Int. Cl. D6-03

[52] U.S. Cl. D6/23; D6/27; D6/177

[58] Field of Search D6/20, 23, 24, 27, 146, D6/149, 175, 177, 178, 179; 108/6, 59, 92, 93

[56] References Cited

U.S. PATENT DOCUMENTS

- D. 145,808 10/1946 La Pidus D6/156
- D. 214,473 6/1969 Plessinger D6/20
- D. 239,071 3/1976 Robson D6/27
- D. 254,747 4/1980 O'Meara D6/27 X
- 3,347,184 10/1967 Kiraly D6/156 X

4,077,333 3/1978 Ballas D6/27 X

Primary Examiner—Bruce W. Dunkins
Attorney, Agent, or Firm—Neuman, Williams, Anderson & Olson

[57] CLAIM

The ornamental design for a combined table and side extension unit for supporting electronic equipment, as shown and described.

DESCRIPTION

FIG. 1 is a perspective view generally viewed as from above, of a combined table and side extension unit for supporting electronic equipment showing my new design.

FIG. 2 is a right side elevation view of my design disclosed in FIG. 1.

FIG. 3 is a left side elevation view of my design disclosed in FIG. 1.

FIG. 4 is a front view of my design disclosed in FIG. 1.

FIG. 5 is a back view of my design disclosed in FIG. 1.

FIG. 6 is a top plan view of my design disclosed in FIG. 1.

FIG. 7 is a view in bottom plan of my design disclosed in FIG. 1.

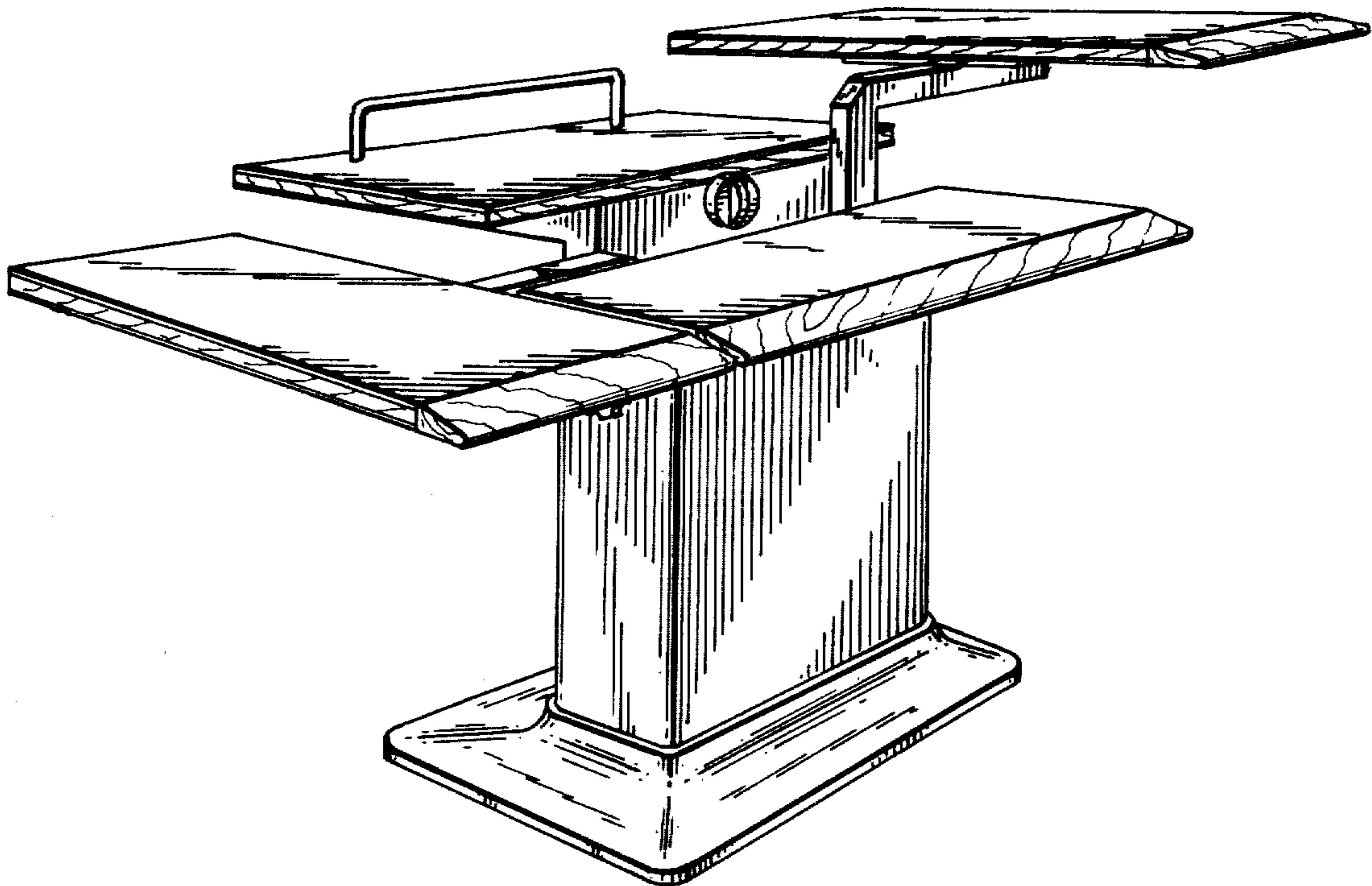


FIG. 1

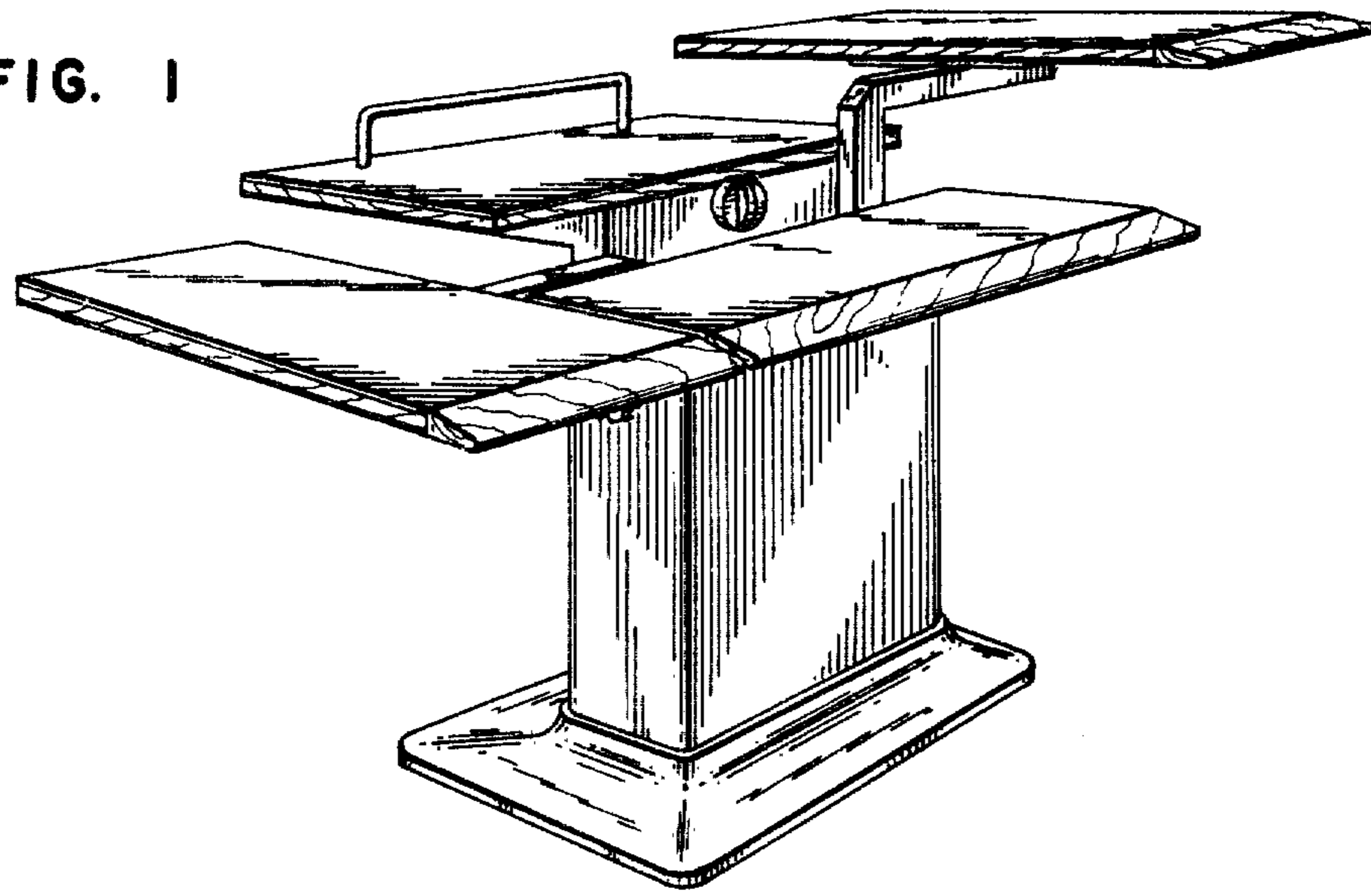


FIG. 2

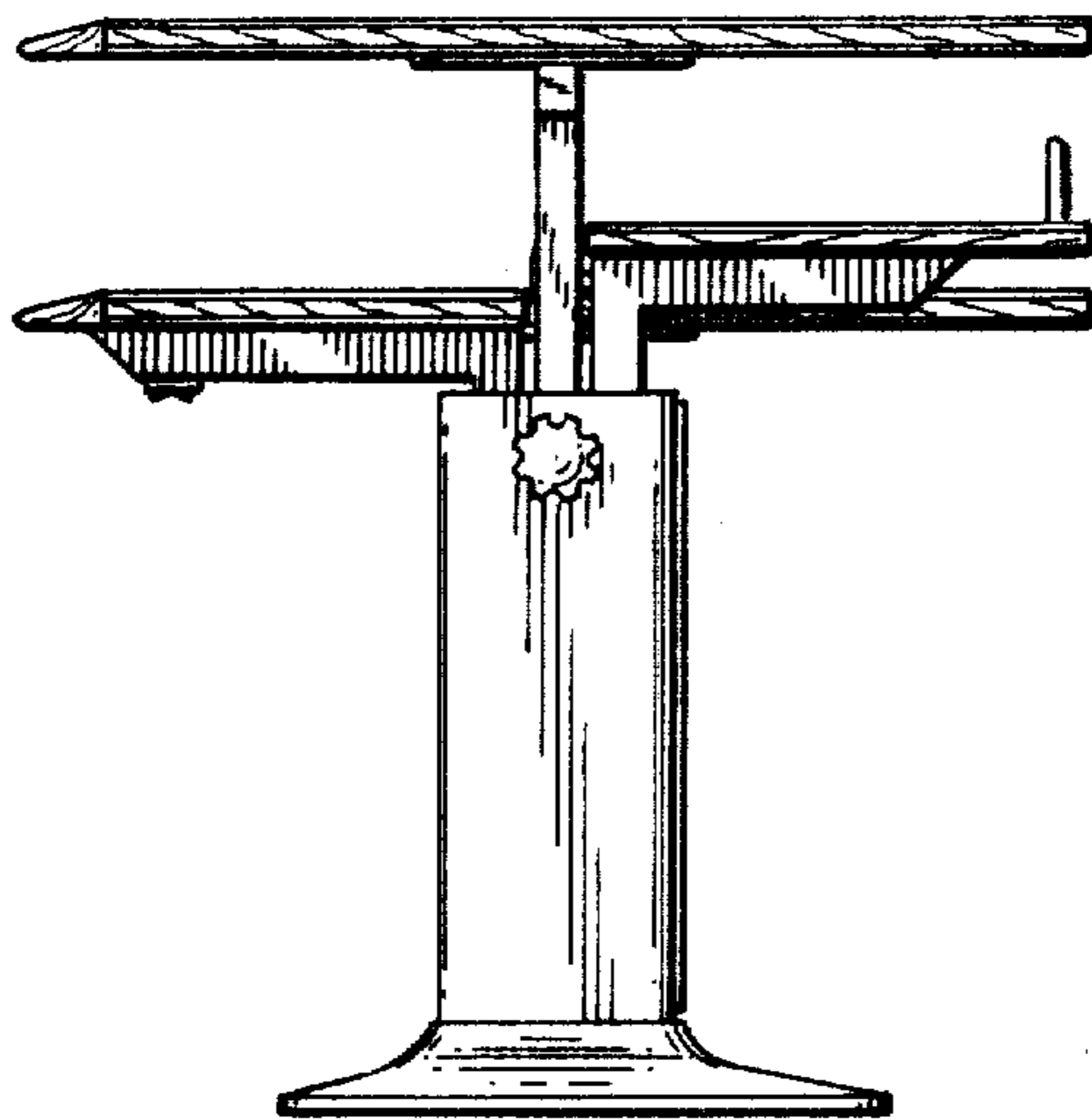


FIG. 3

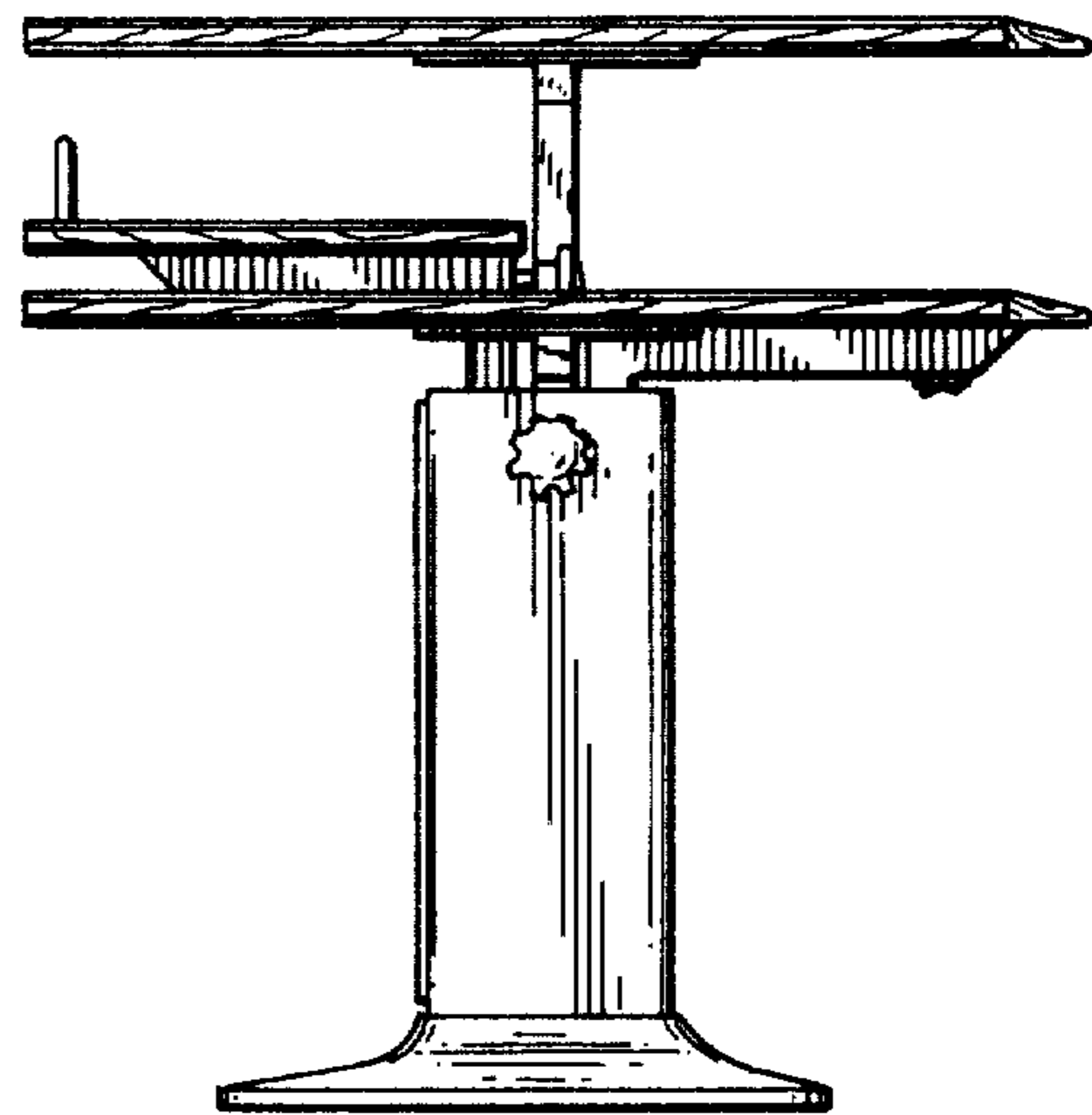


FIG. 4

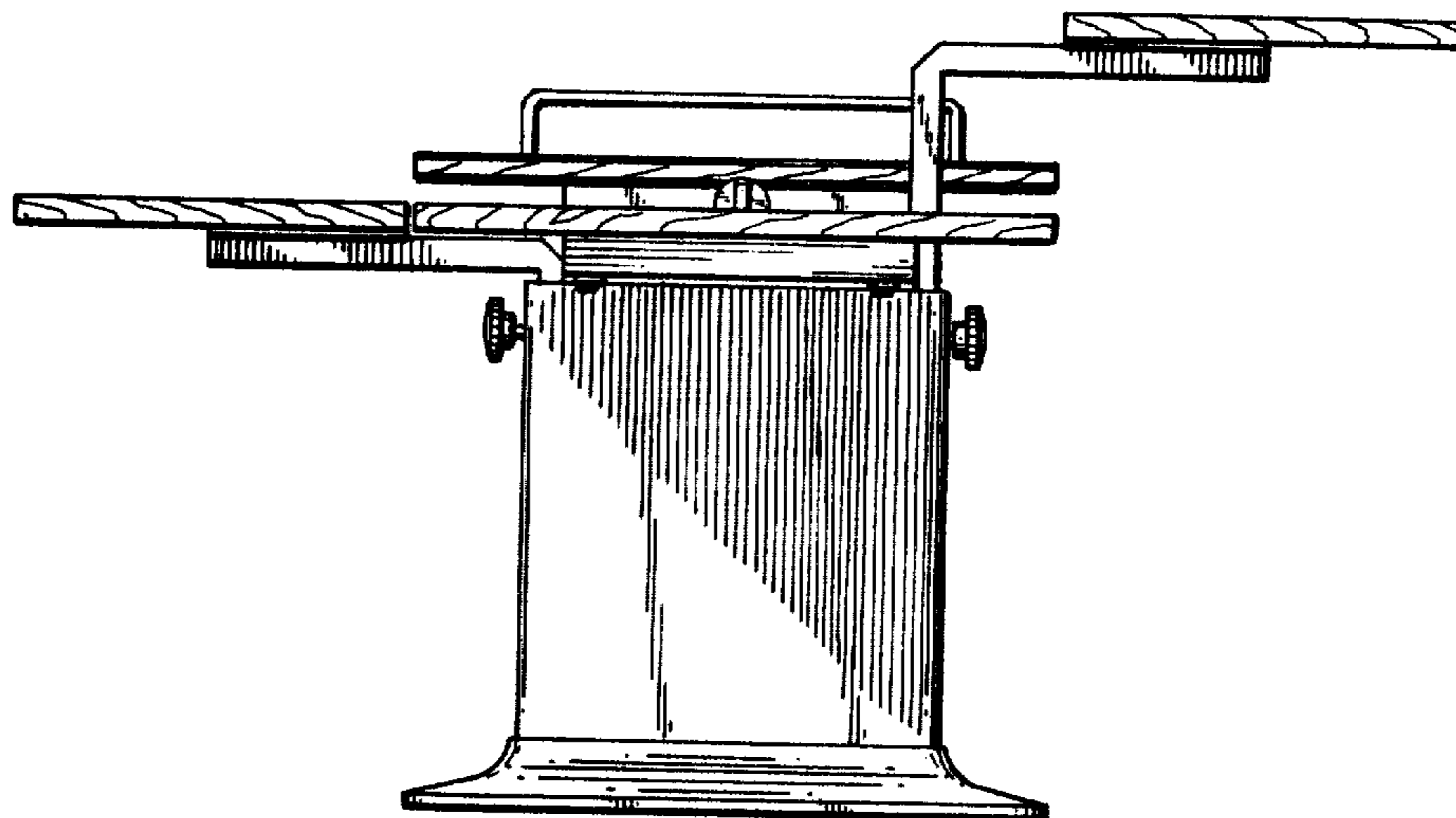


FIG. 5

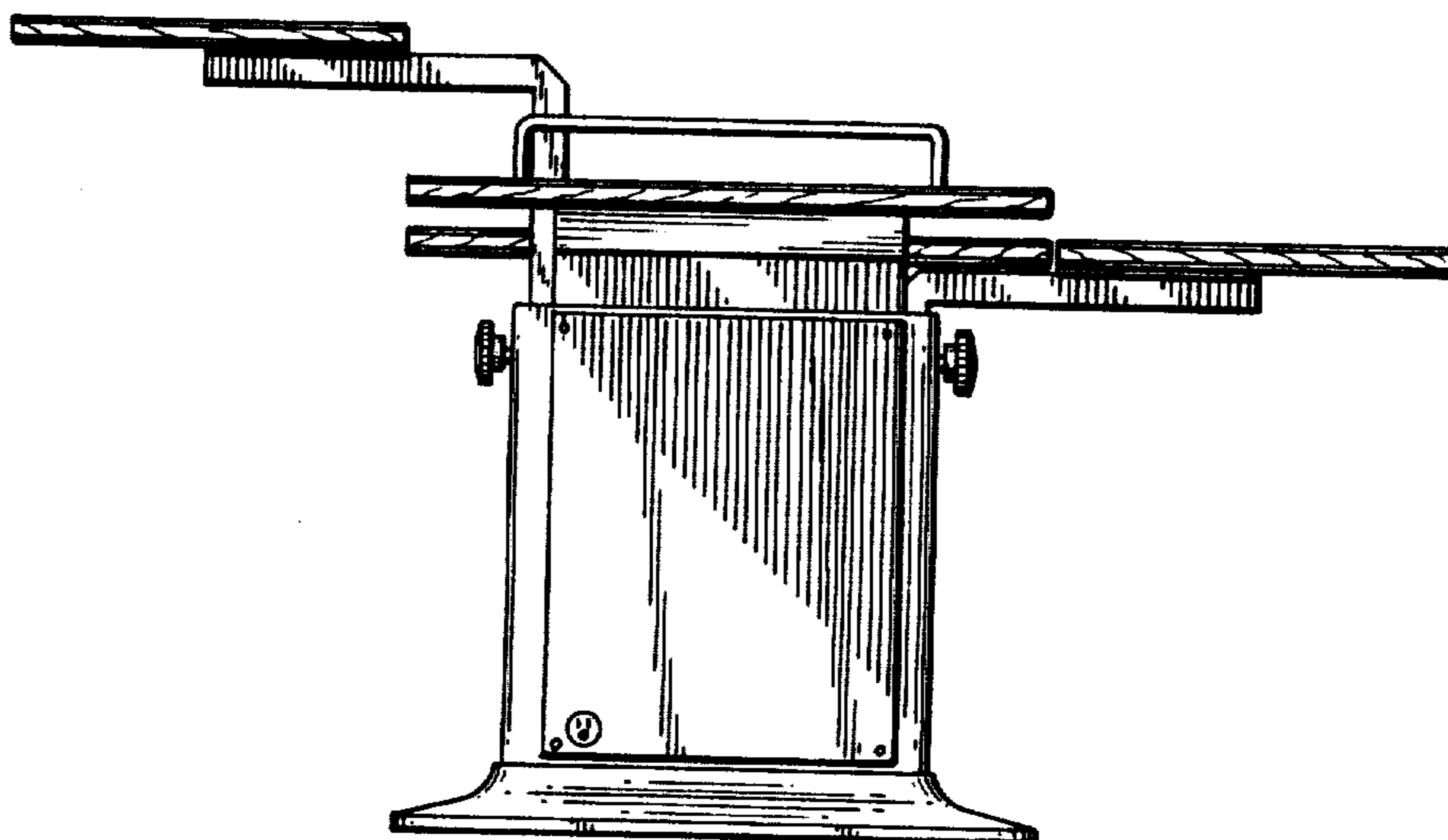


FIG. 6

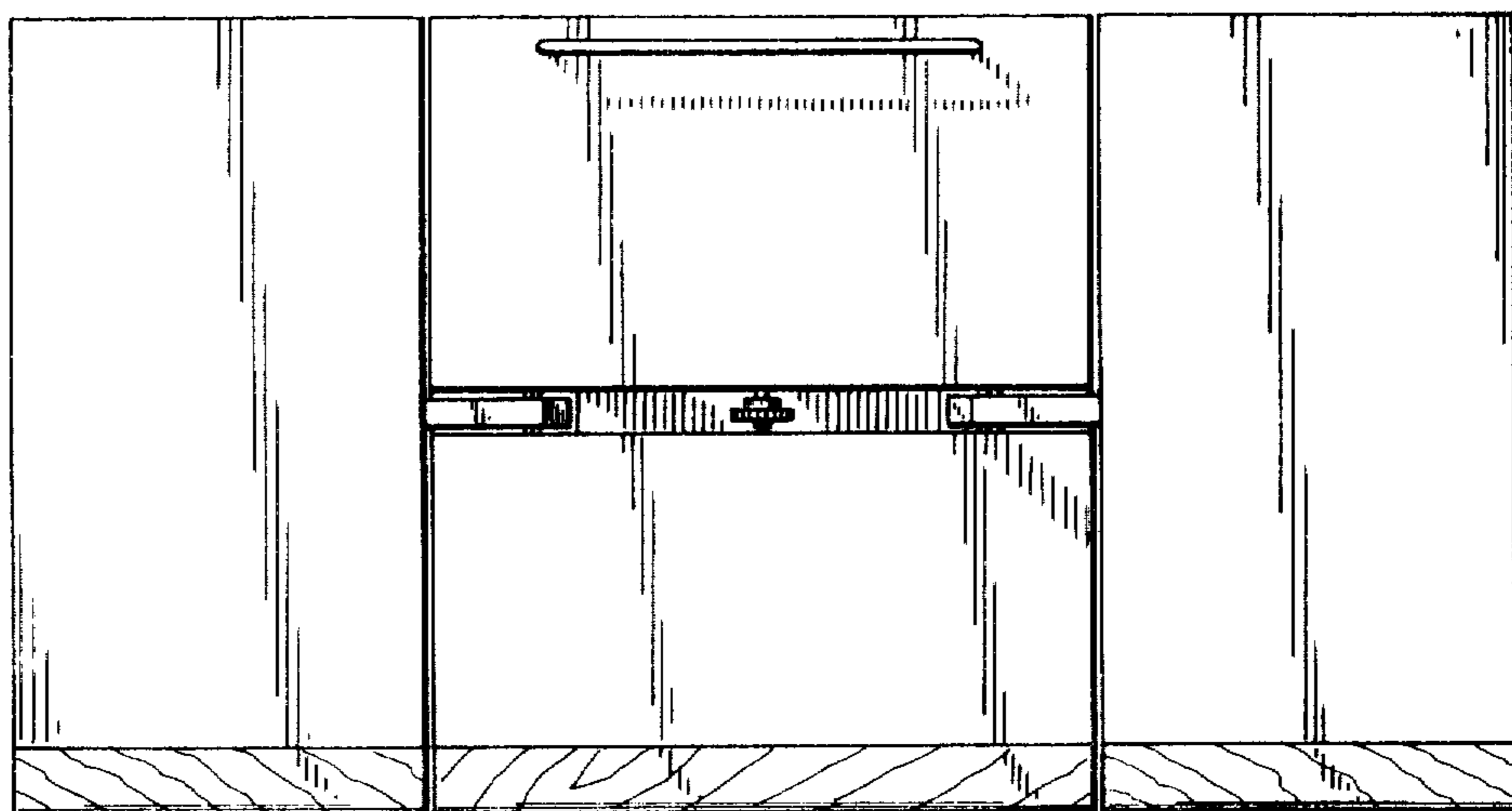


FIG. 7

