

[54] MAKEUP STICK CASE

[76] Inventor: Dieter Bakic, Romerstrasse 15, 8000 Munchen 40, Fed. Rep. of Germany

[**] Term: 14 Years

[21] Appl. No.: 266,118

[22] Filed: May 21, 1981

[30] Foreign Application Priority Data

Nov. 21, 1980 [DE] Fed. Rep. of Germany 12 349

[51] Int. Cl. D28-03

[52] U.S. Cl. D28/76; D28/85

[58] Field of Search D28/73, 76-78, D28/82, 84-91.1; D9/337, 338, 349, 355, 377, 390, 399, 403, 370; D3/39; 220/DIG. 20; 206/235, 385, 581, 823; 132/88.7, 79 C, 82 A, 79 F; 401/88, 98

[56] References Cited

U.S. PATENT DOCUMENTS

D. 262,265 12/1981 Hadtke et al. D9/370
2,159,872 5/1939 Younghusband D28/85 X

FOREIGN PATENT DOCUMENTS

1336513 7/1963 France 132/88.7
172570 12/1921 United Kingdom 132/79 F

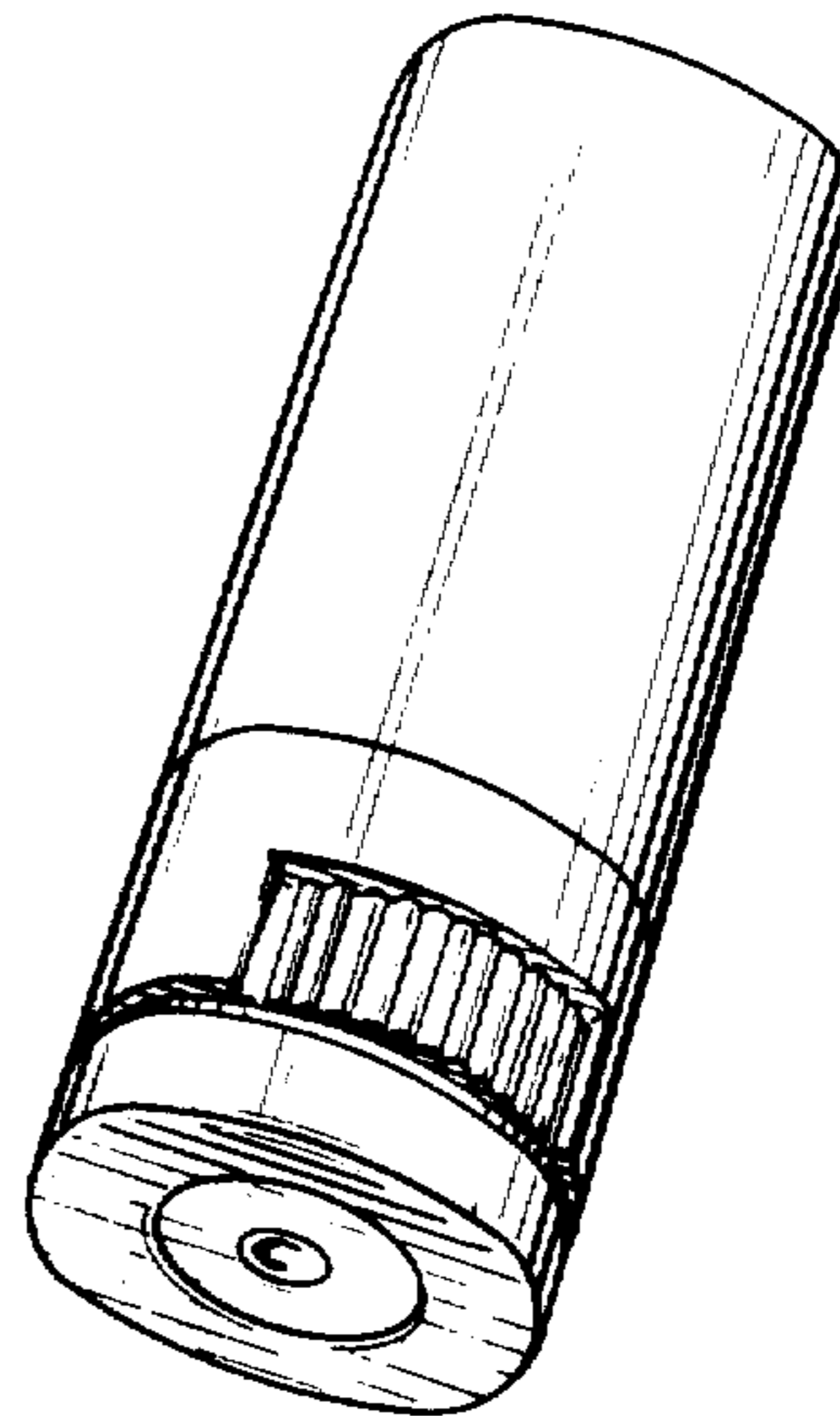
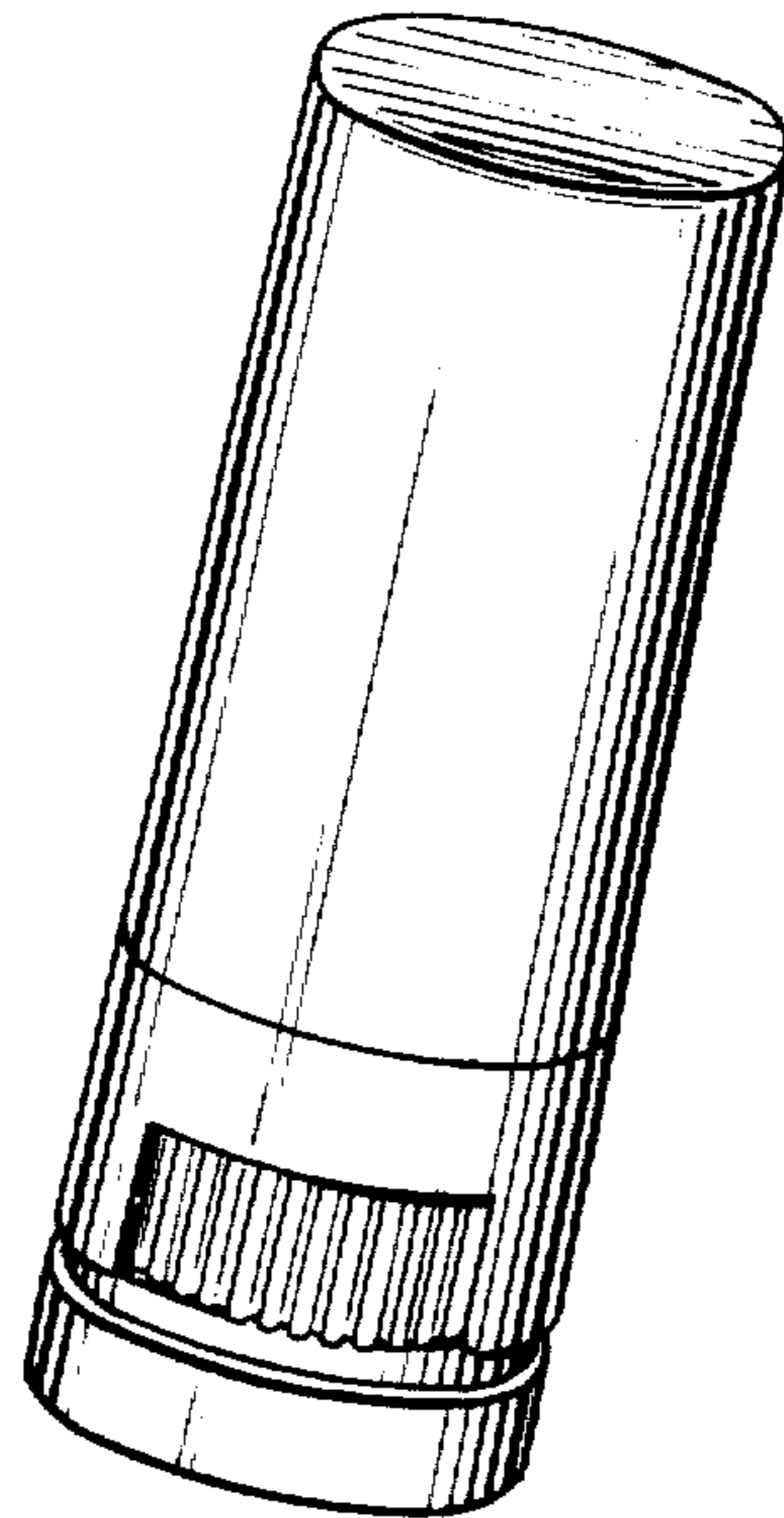
Primary Examiner—Louis S. Zarfaz
Attorney, Agent, or Firm—Kenyon & Kenyon

[57] CLAIM

The ornamental design for a makeup stick case, as shown.

DESCRIPTION

FIG. 1 is a front, top perspective view of a makeup stick case showing my new design;
FIG. 2 is a rear, bottom perspective view thereof; and
FIG. 3 is a top plan view thereof.



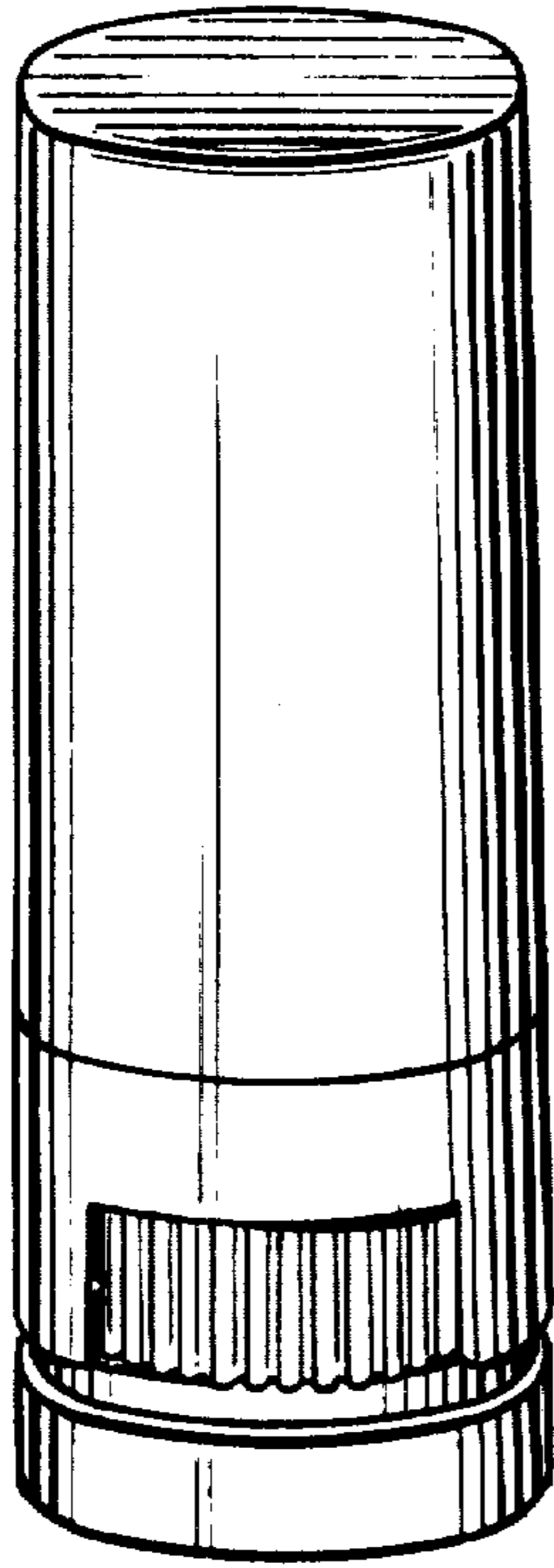


Fig. 1.

Fig. 2.

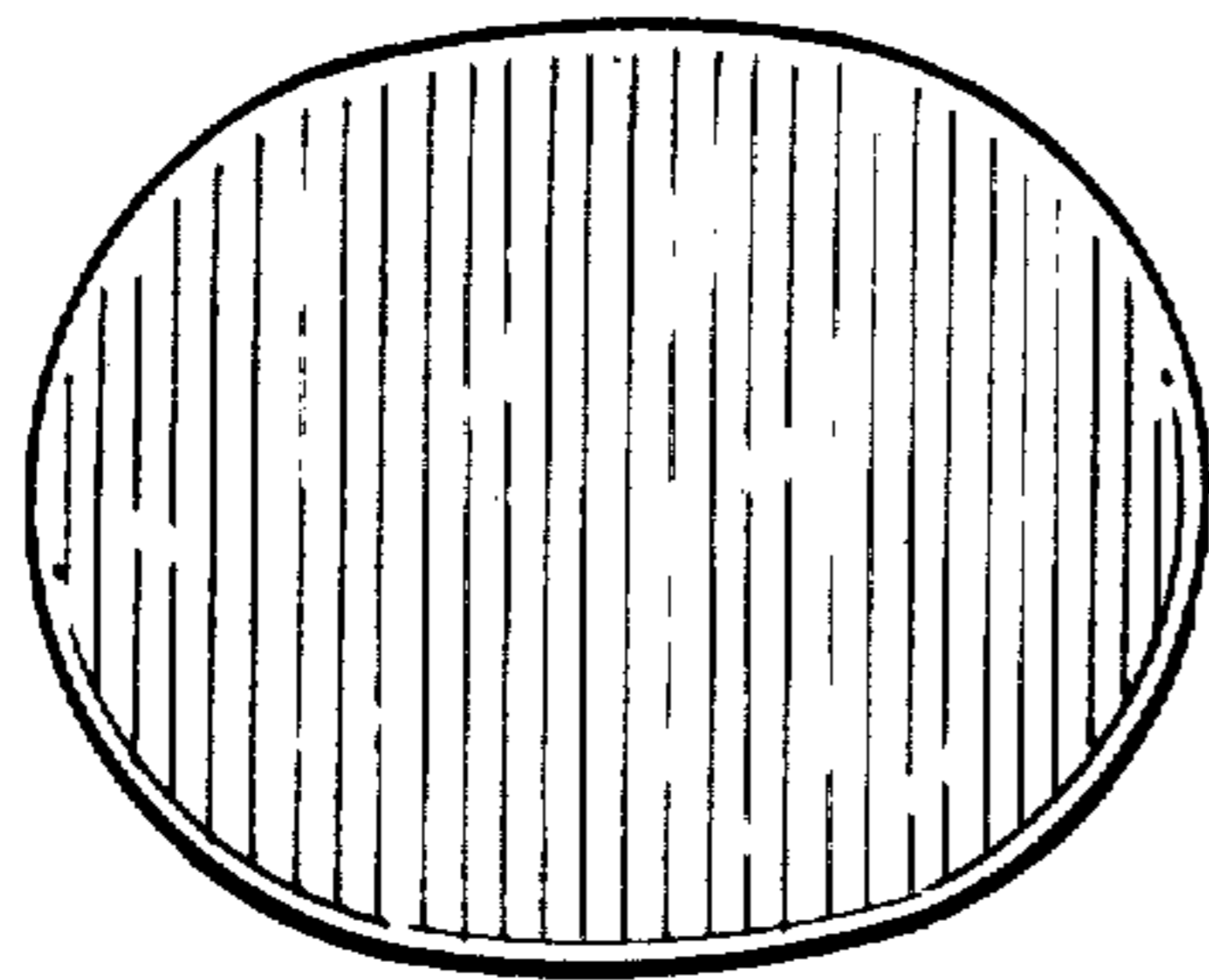
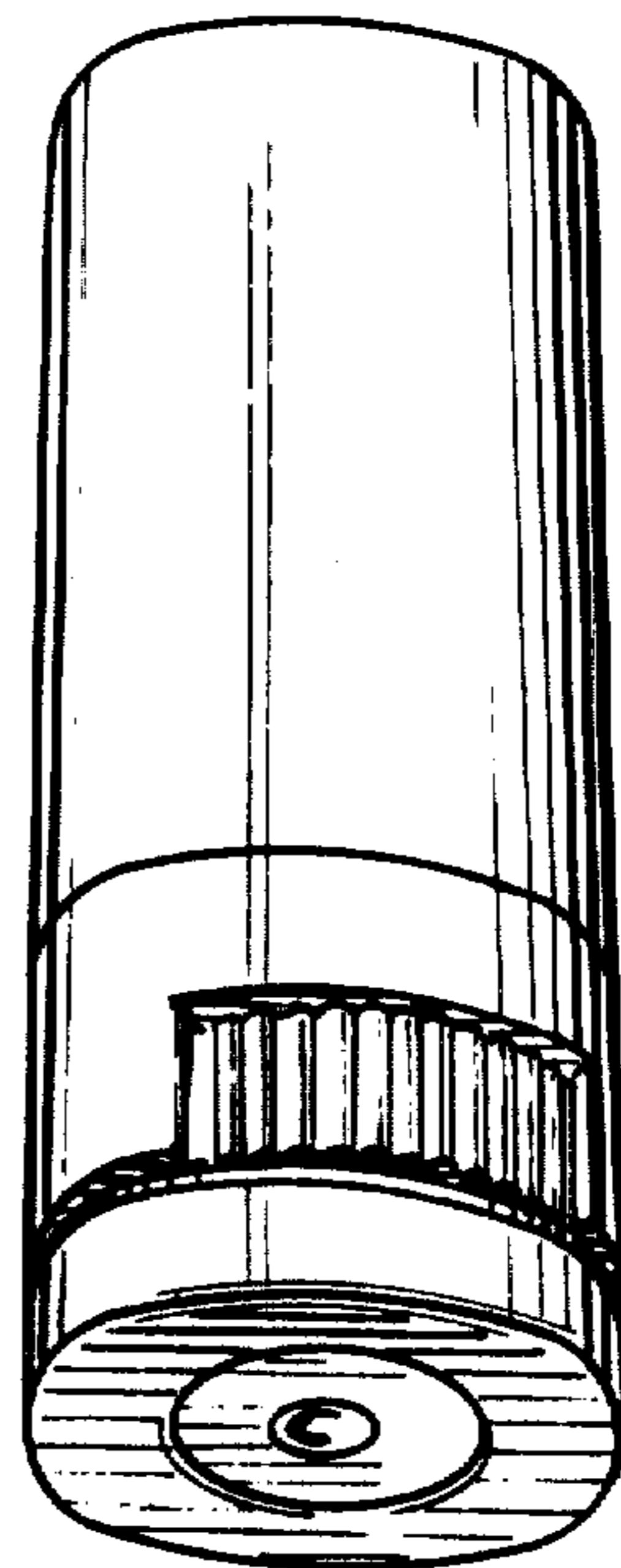


Fig. 3.