

[54] ADJUSTABLE MASCARA APPLICATOR

4,370,989 2/1983 Taylor ..... 132/88.7 X

[76] Inventors: Henry J. Cassai, 95-15 107 St., Ozone Park, N.Y. 11416; Gino H. Cassai, 924 E. 96th St., Brooklyn, N.Y. 11236

[\*\*] Term: 14 Years

[21] Appl. No.: 435,320

[22] Filed: Dec. 22, 1982

[51] Int. Cl. .... D28-03

[52] U.S. Cl. .... D28/7; D4/17; D4/20; D9/338; D9/436

[58] Field of Search ..... D28/4, 7, 99; D4/13, D4/17, 20, 24; D9/338, 436, 447; 132/79 A, 79 B, 88.5, 88.7, DIG. 3; 15/107, 104.93, 104.94, 167 B; 401/99, 115, 118-130, 268

[56] References Cited

U.S. PATENT DOCUMENTS

- 4,175,574 11/1979 Zulberti ..... 132/88.7
- 4,261,376 4/1981 Kingsford ..... 132/88.7 X

OTHER PUBLICATIONS

*Drug & Cosmetic Industry*, 6/81, p. 10-Mascara Applicator Cap at top center.

Primary Examiner—Louis S. Zarfes

[57] CLAIM

The ornamental design for an adjustable mascara applicator, as shown and described.

DESCRIPTION

FIG. 1 is a side elevational view of an adjustable mascara applicator showing our new design; FIG. 2 is a front elevational view thereof; FIG. 3 is a rear elevational view thereof; FIG. 4 is a side elevational view of the applicator with the top wand in an alternate position; FIG. 5 is a top plan view thereof; FIG. 6 is a bottom plan view thereof; and FIG. 7 is a side elevational view of an adjustable mascara applicator showing a modified form of our new design wherein the flat brush is disposed in a plane from front to back rather than side to side.

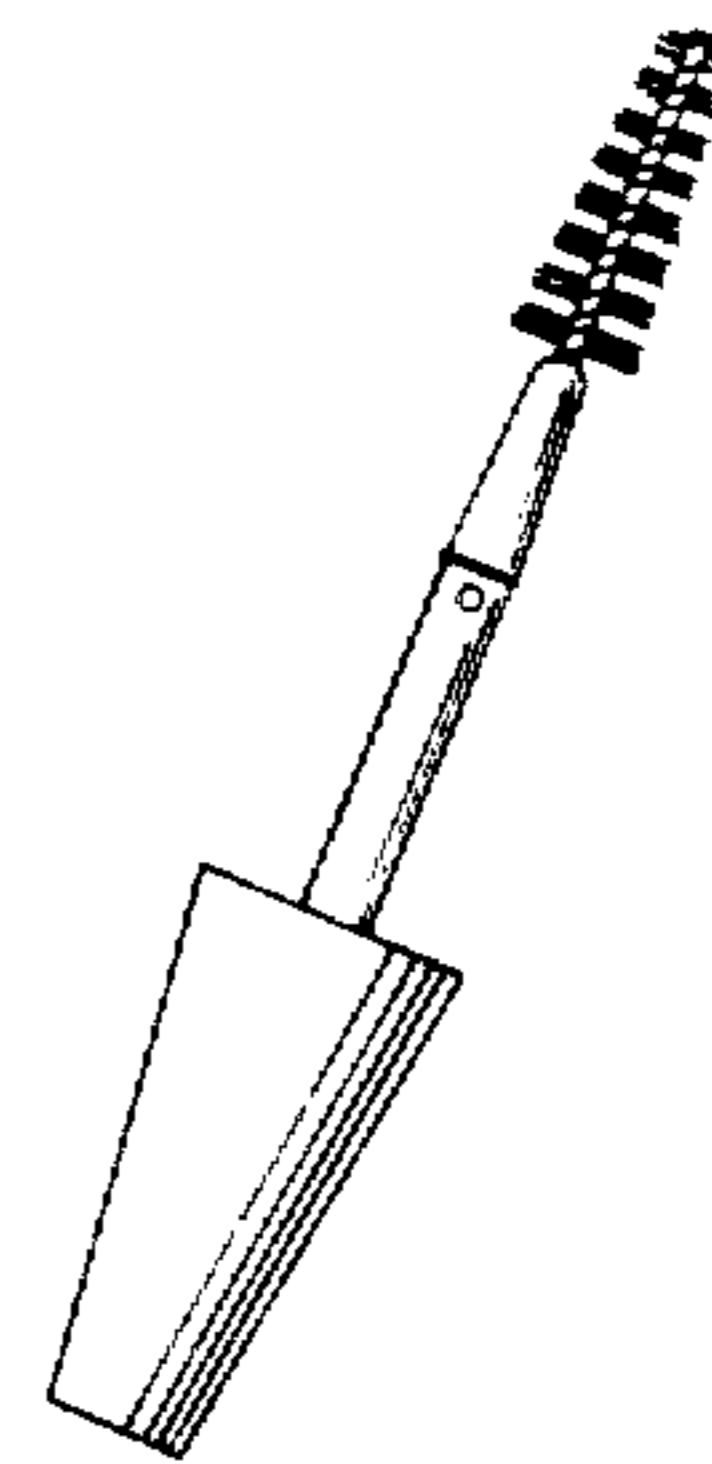
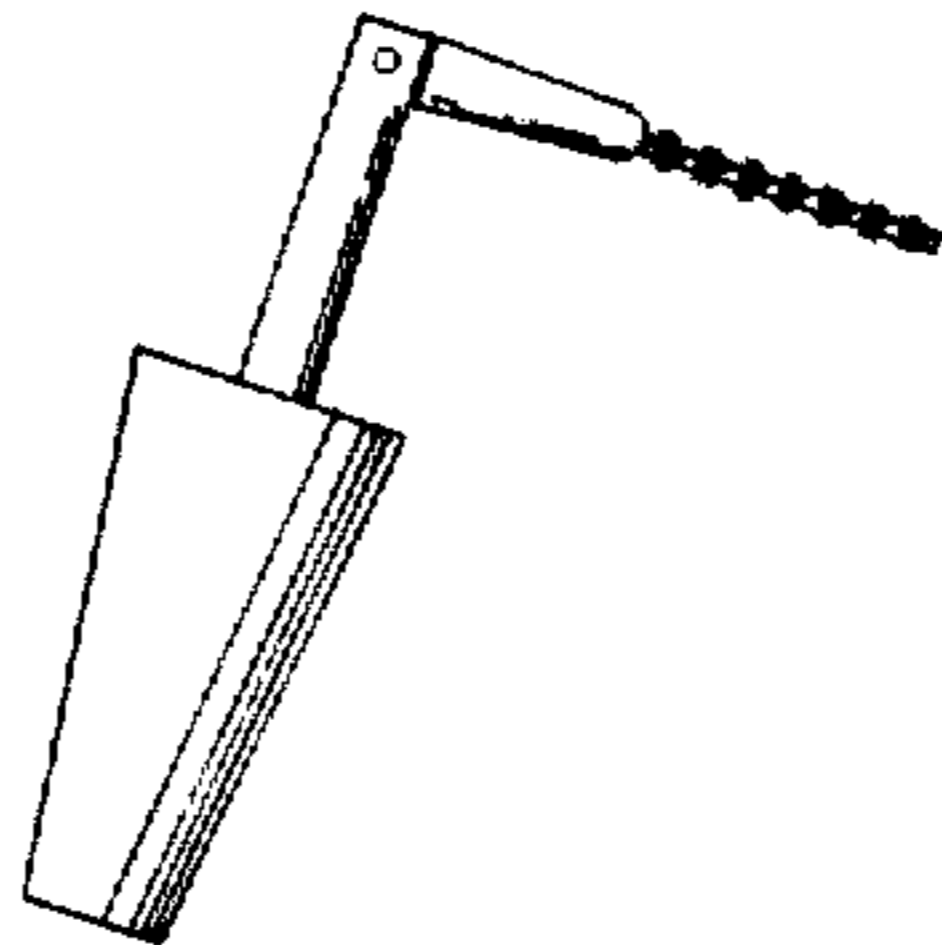
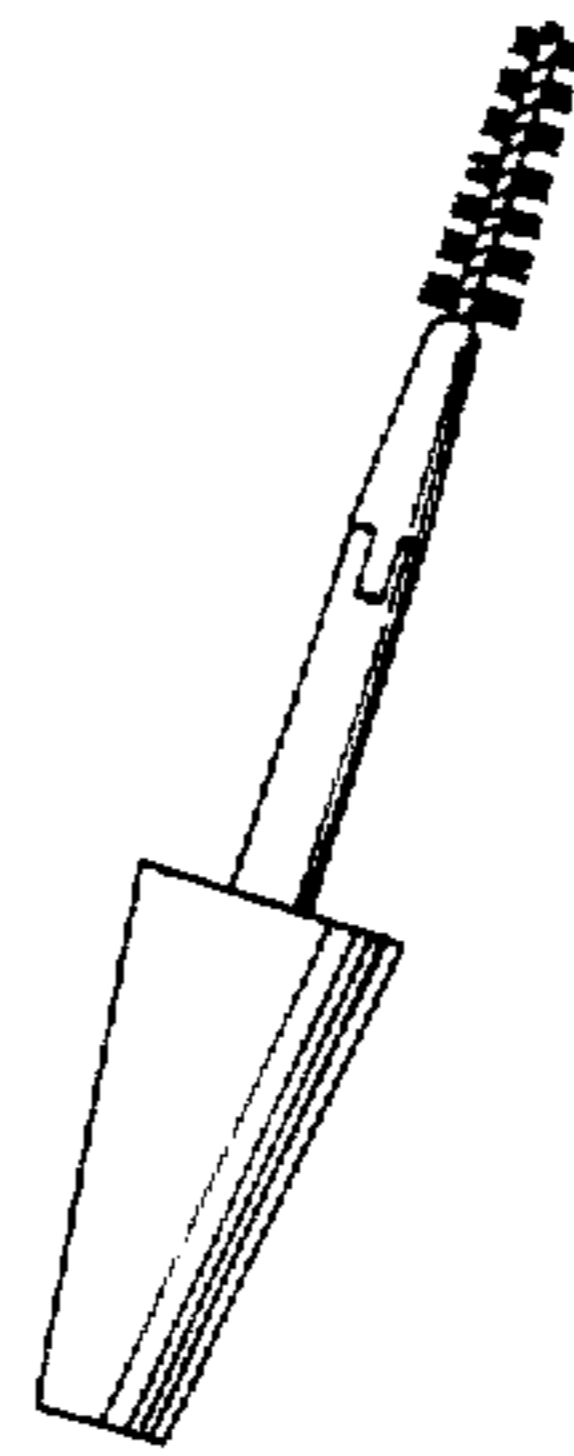
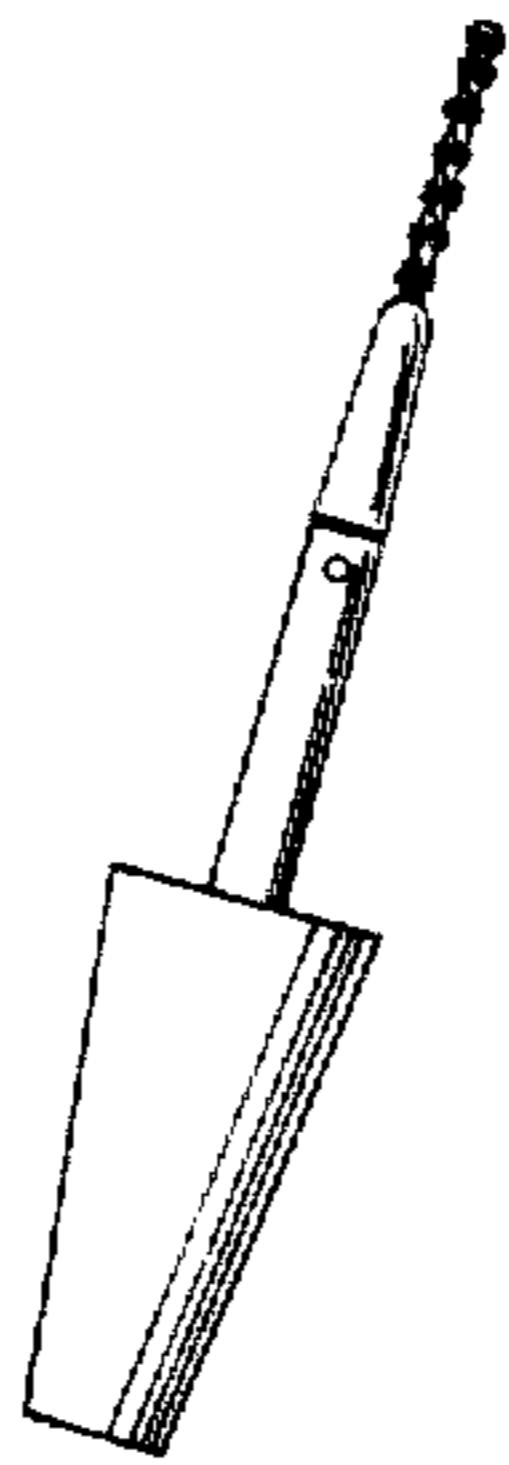


FIG. 1

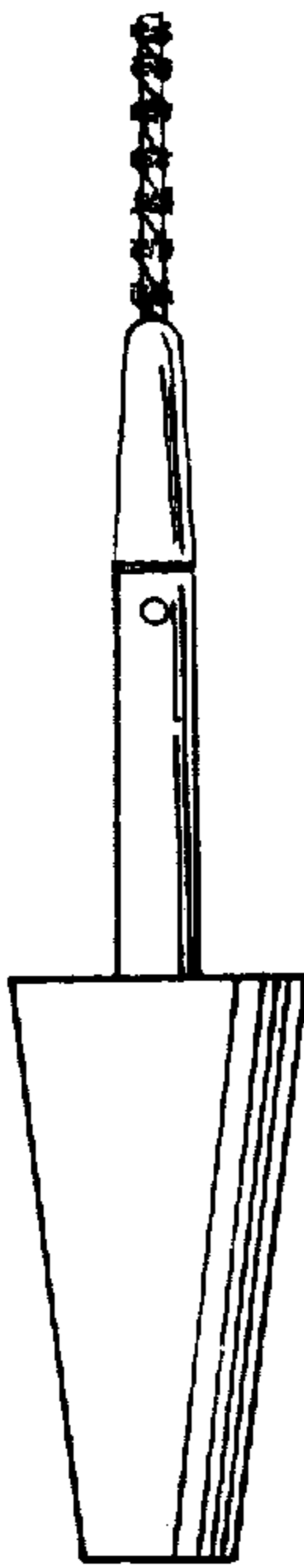


FIG. 2

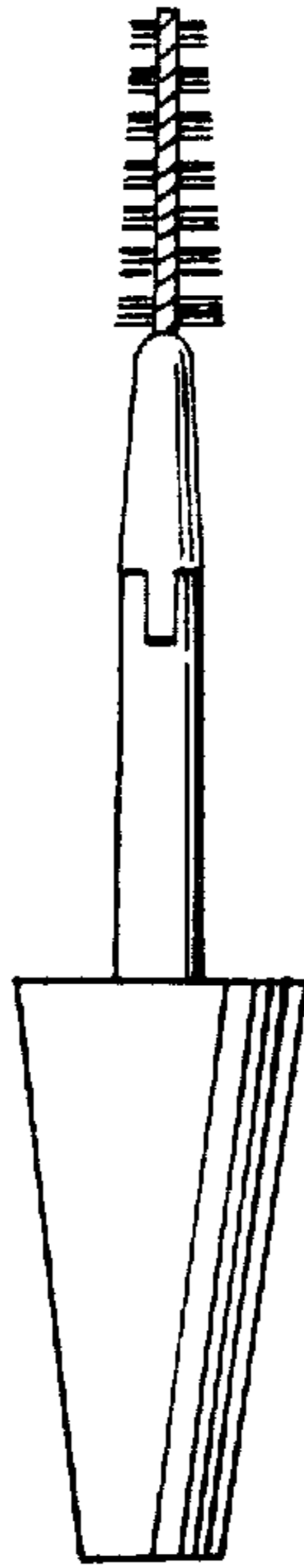


FIG. 3

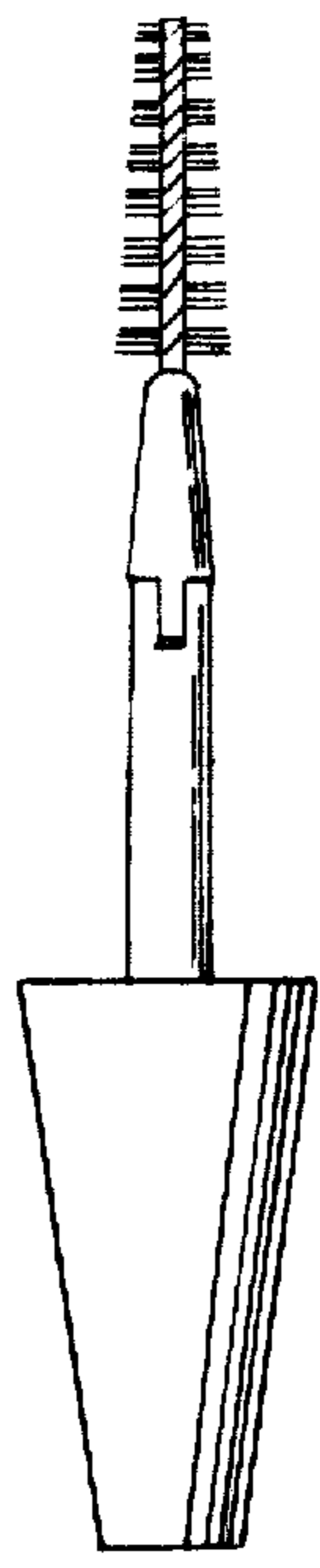


FIG. 4

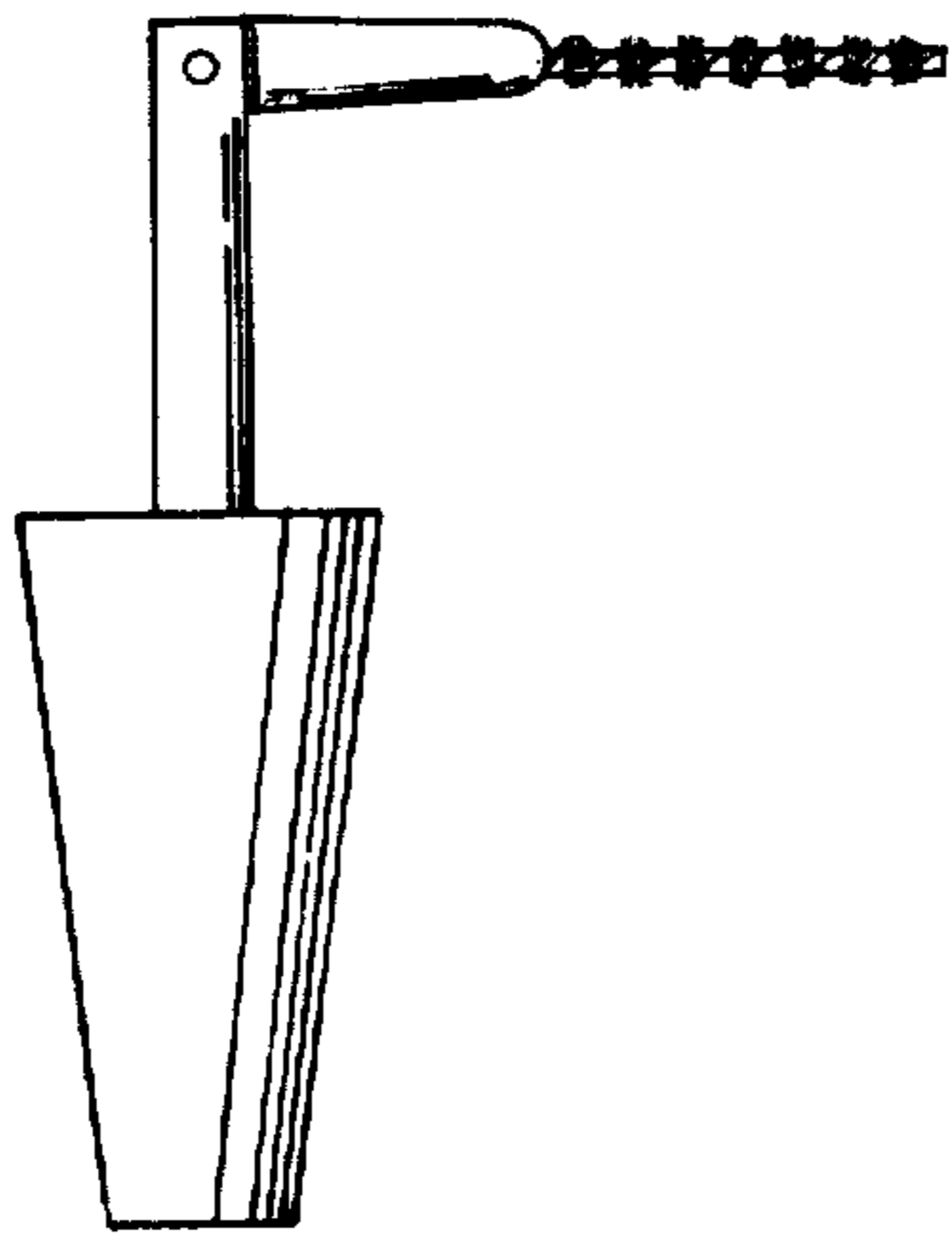


FIG. 5

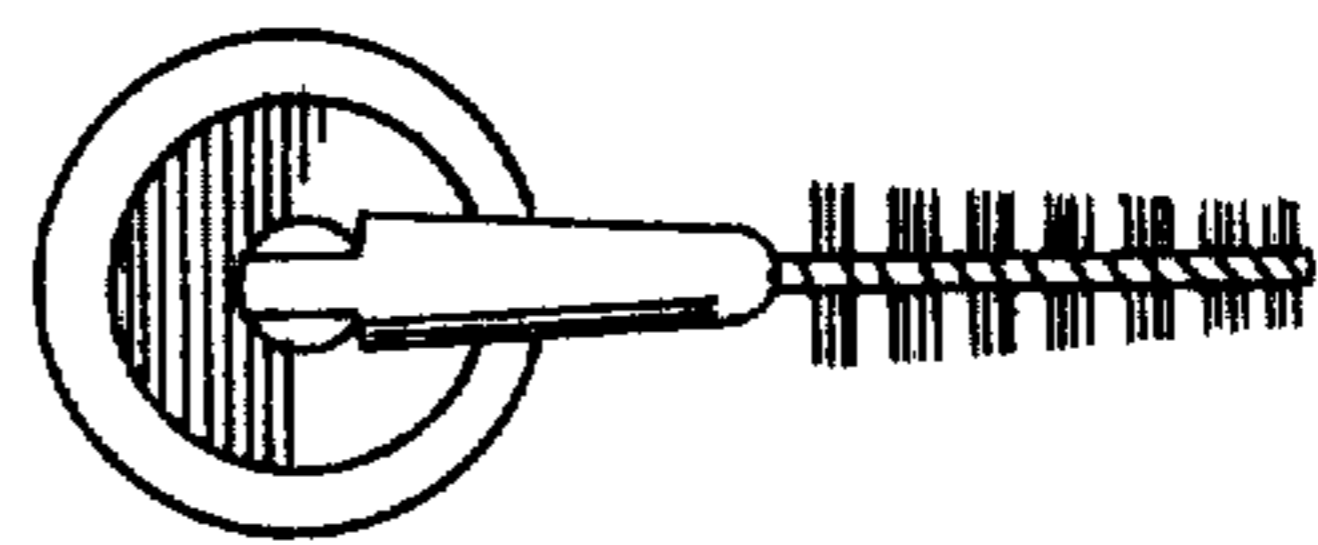


FIG. 6

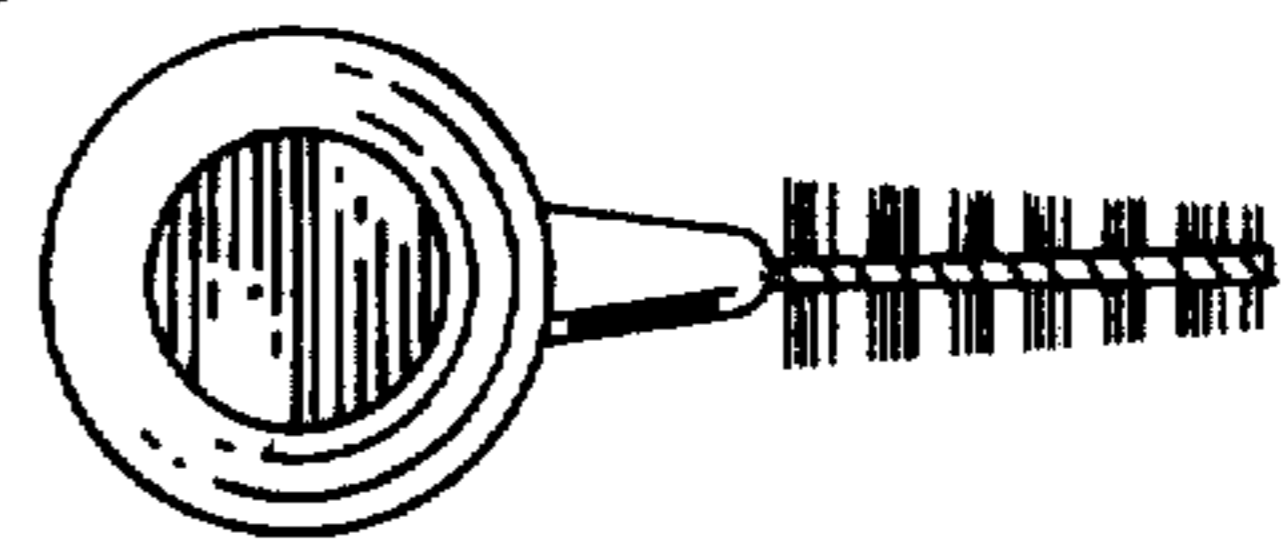


FIG. 7

