

[54] WINDOW SILL

[75] Inventor: Peter W. Gray, Nelson, England

[73] Assignee: Hepworth Plastics Limited, Sheffield, England

[\*\*] Term: 14 Years

[21] Appl. No.: 303,656

[22] Filed: Sep. 18, 1981

[30] Foreign Application Priority Data

Mar. 25, 1981 [GB] United Kingdom ..... 999 619

[51] Int. Cl. .... D25-01

[52] U.S. Cl. .... D25/74; D25/52

[58] Field of Search ..... 49/410, 411, 413, 414, 49/419, 423, 504; 52/202, 204, 239; D25/48, 52, 73-79

[56] References Cited

U.S. PATENT DOCUMENTS

D. 162,844	4/1951	Klein .....	D25/74
2,581,727	1/1952	Soplata .....	D25/73 X
3,731,430	5/1973	Dallaire et al. ....	D25/74 X
4,048,774	9/1977	Yamamoto .....	D25/74 X

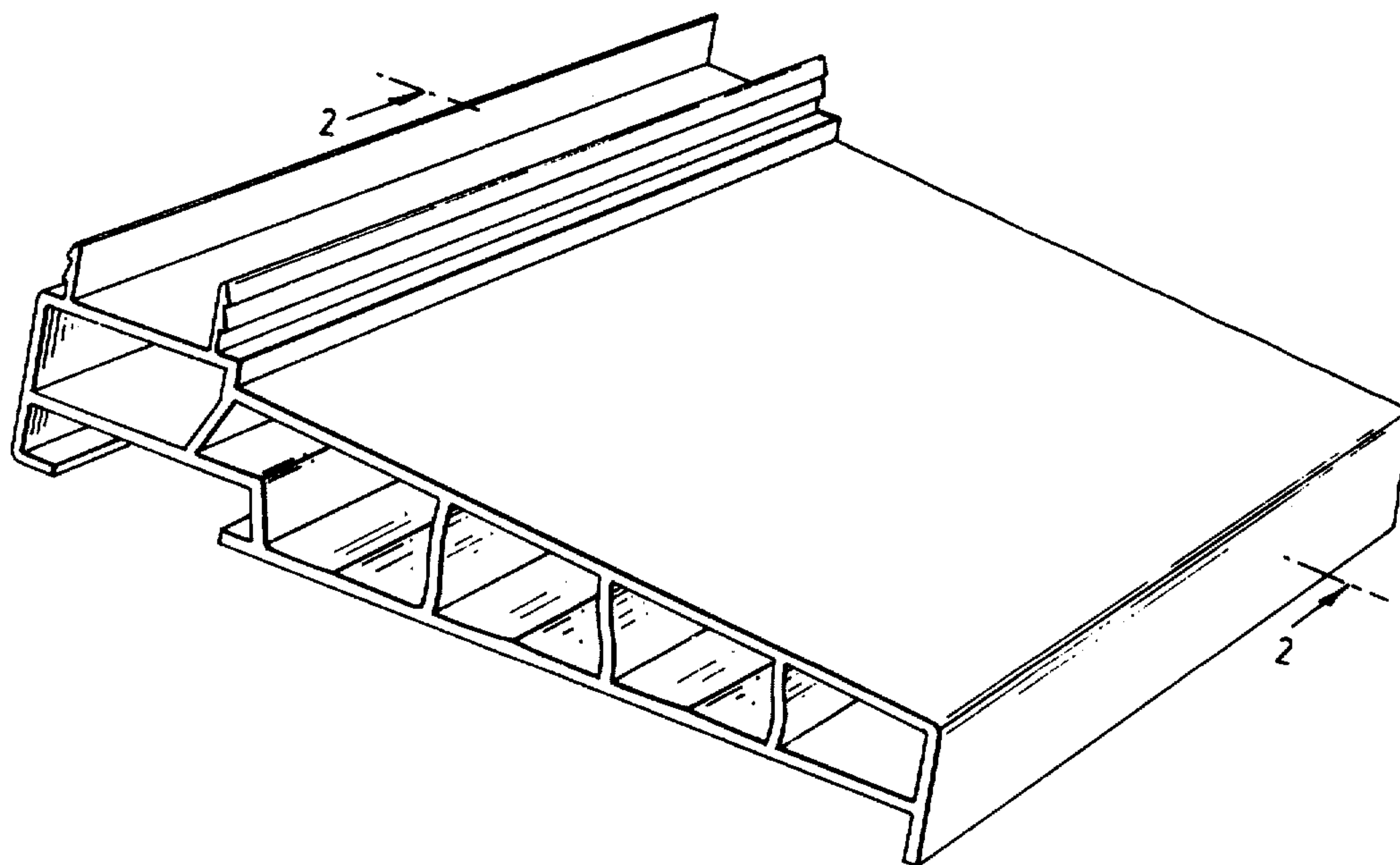
Primary Examiner—A. Hugo Word  
Attorney, Agent, or Firm—John C. Smith, Jr.

[57] CLAIM

The ornamental design of a window sill, as shown and described.

DESCRIPTION

FIG. 1 is a view from above, front and one end, showing my new design of a window sill; and FIG. 2 is a cross sectional view taken on line 2—2 in FIG. 1.



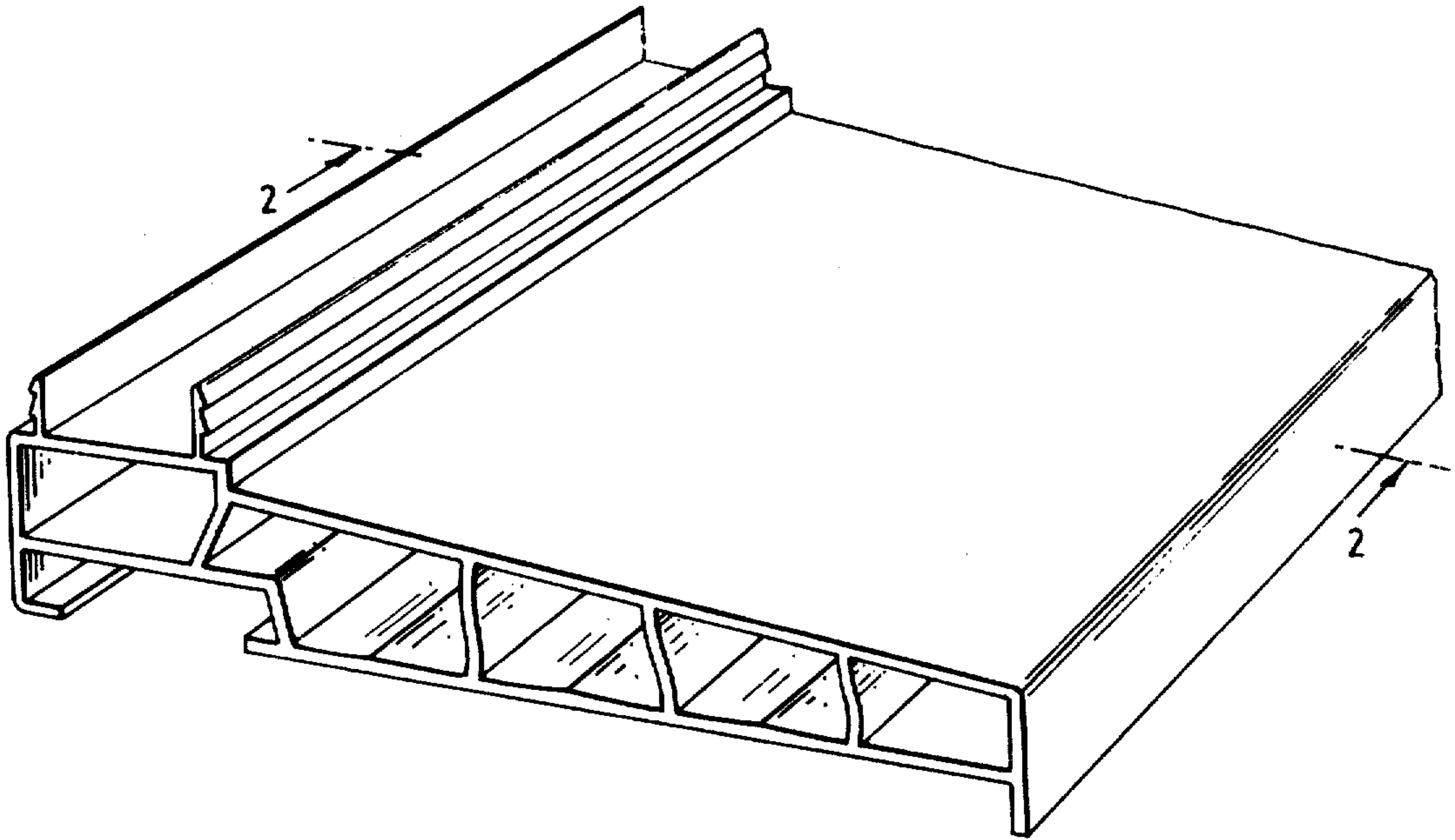


Fig. 1.

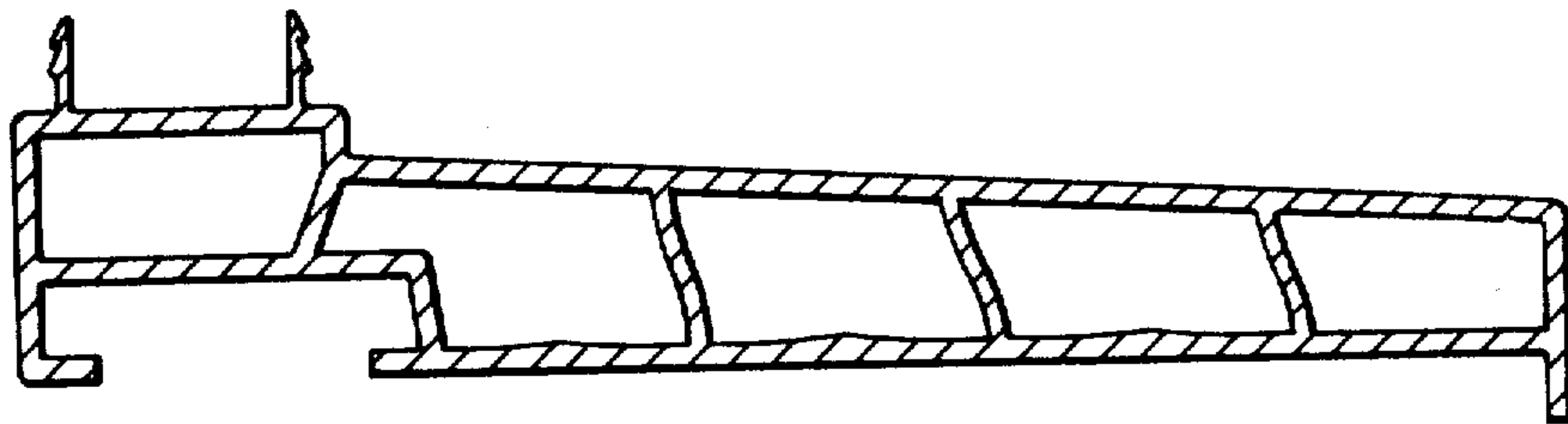


Fig. 2.