

[54] **EXTRUDED SUPPORT AND RETAINER FOR PLASTIC SHEET COVERS**

[75] Inventor: **Stephen R. Kenin**, Taos, N. Mex.

[73] Assignee: **Solar Resources, Inc.**, Taos, N. Mex.

[**] Term: **14 Years**

[21] Appl. No.: **290,707**

[22] Filed: **Aug. 6, 1981**

[51] Int. Cl. **D25-01**

[52] U.S. Cl. **D25/74**

[58] Field of Search 52/202; 160/392, 395, 160/371, 372, 394, 397; D25/73-77; D8/354

[56] **References Cited**

U.S. PATENT DOCUMENTS

- D. 251,281 3/1979 Magnussen, Jr. D25/74 X
- D. 251,807 5/1979 Apri D25/74 X
- D. 266,949 11/1982 Goldhaber D25/74

4,084,360 4/1978 Recdson 160/392 X

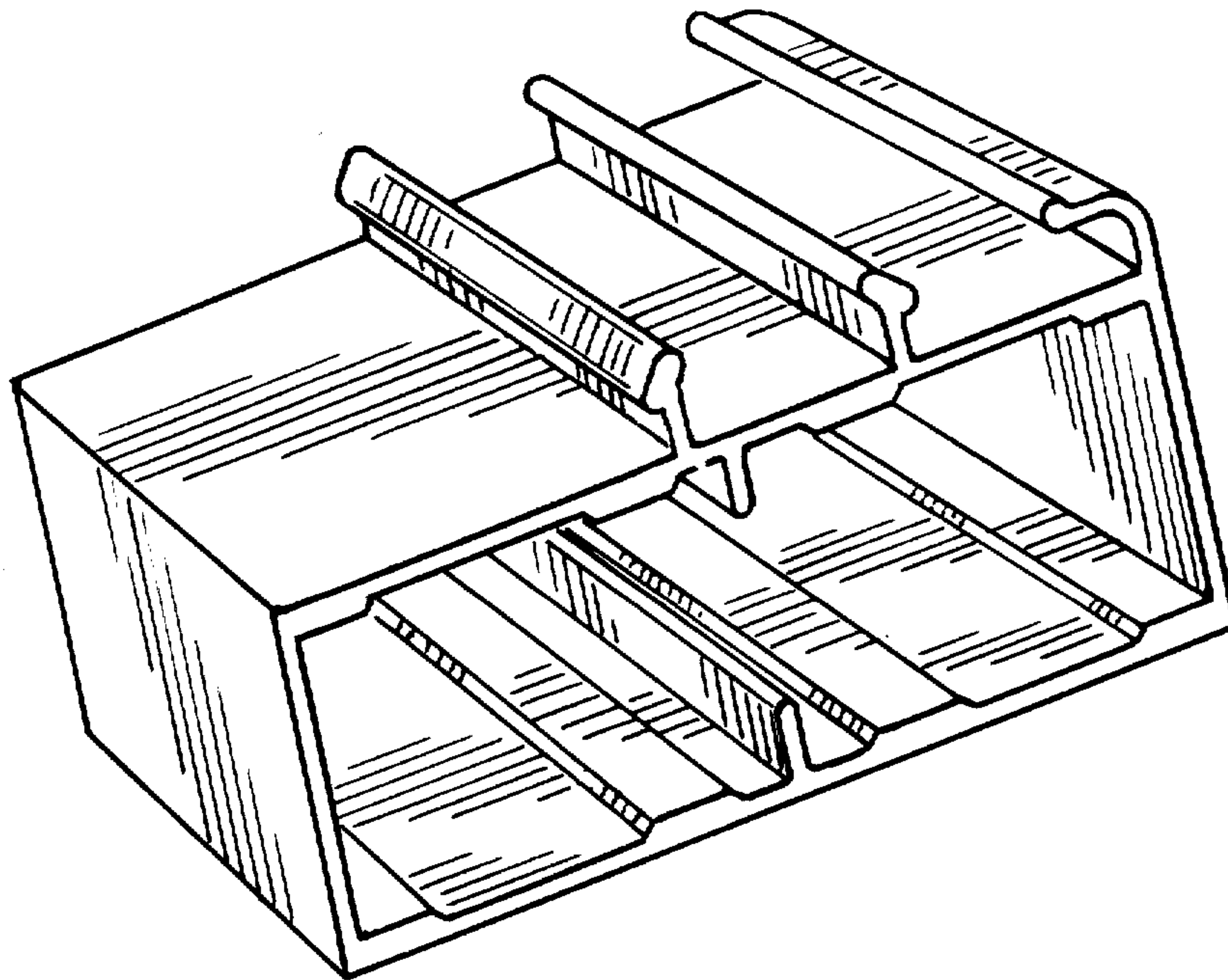
Primary Examiner—A. Hugo Word
Attorney, Agent, or Firm—Kinney, Lange, Braddock, Westman and Fairbairn

[57] **CLAIM**

The ornamental design for an extruded support and retainer for plastic sheet covers, substantially as shown and described.

DESCRIPTION

FIG. 1 is a perspective view of an extruded support and retainer for plastic sheet covers embodying my new design;
 FIG. 2 is an end elevational view thereof;
 FIG. 3 is a side elevational view thereof;
 FIG. 4 is a side elevational view thereof from the side opposite from FIG. 3;
 FIG. 5 is a top plan view thereof; and
 FIG. 6 is a bottom plan elevational view thereof; the end view not shown is identical to the end view shown.



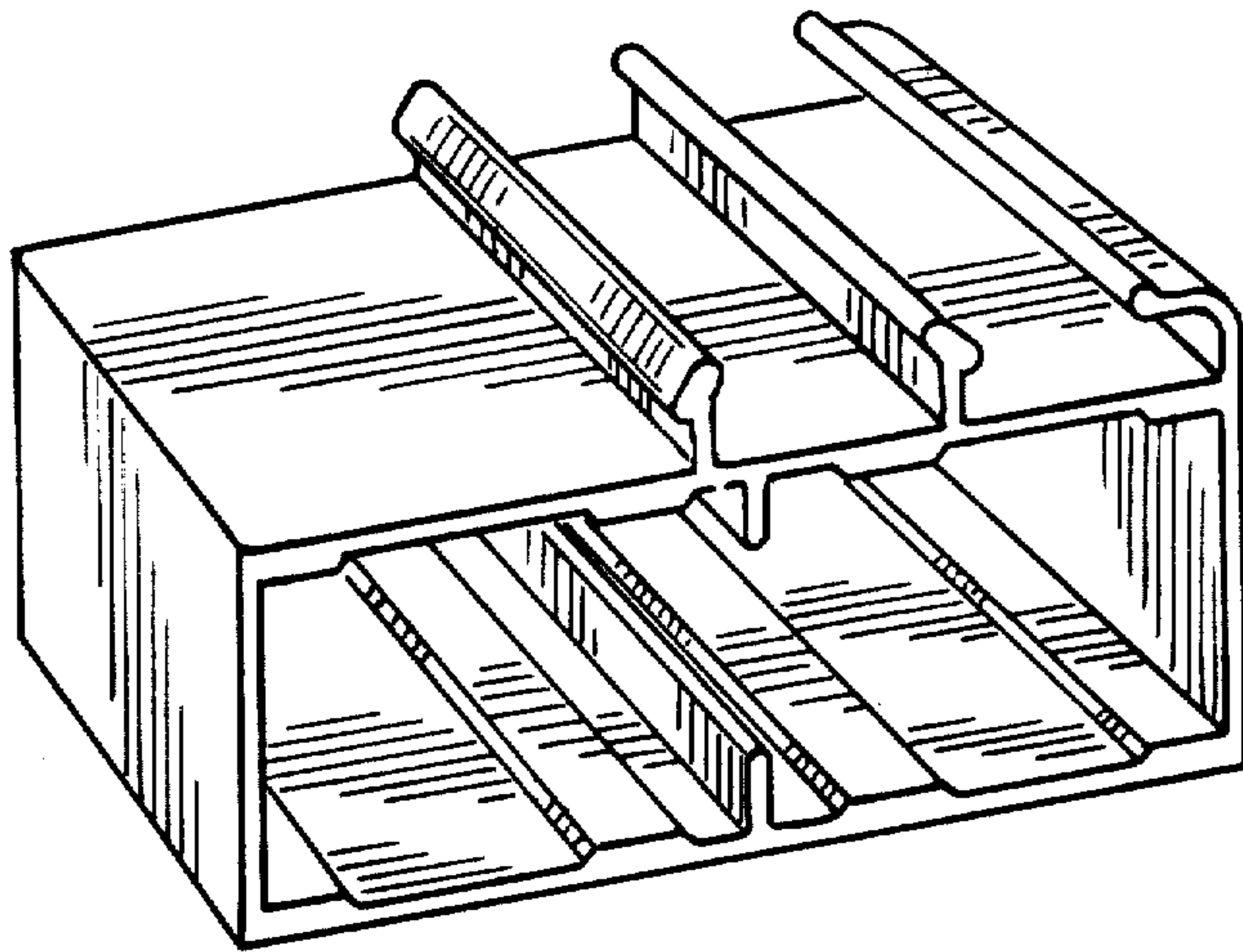


FIG. 1

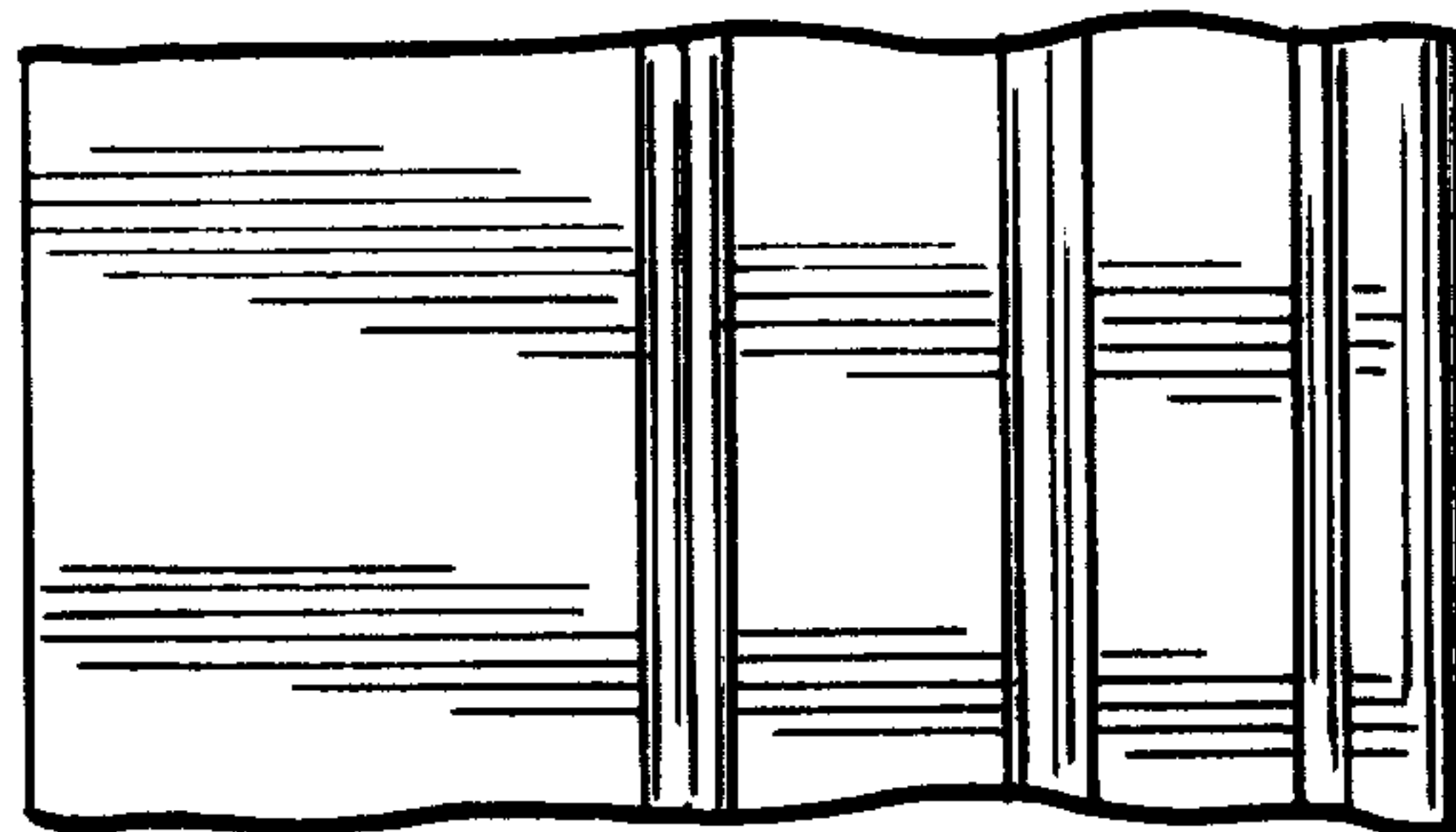


FIG. 5

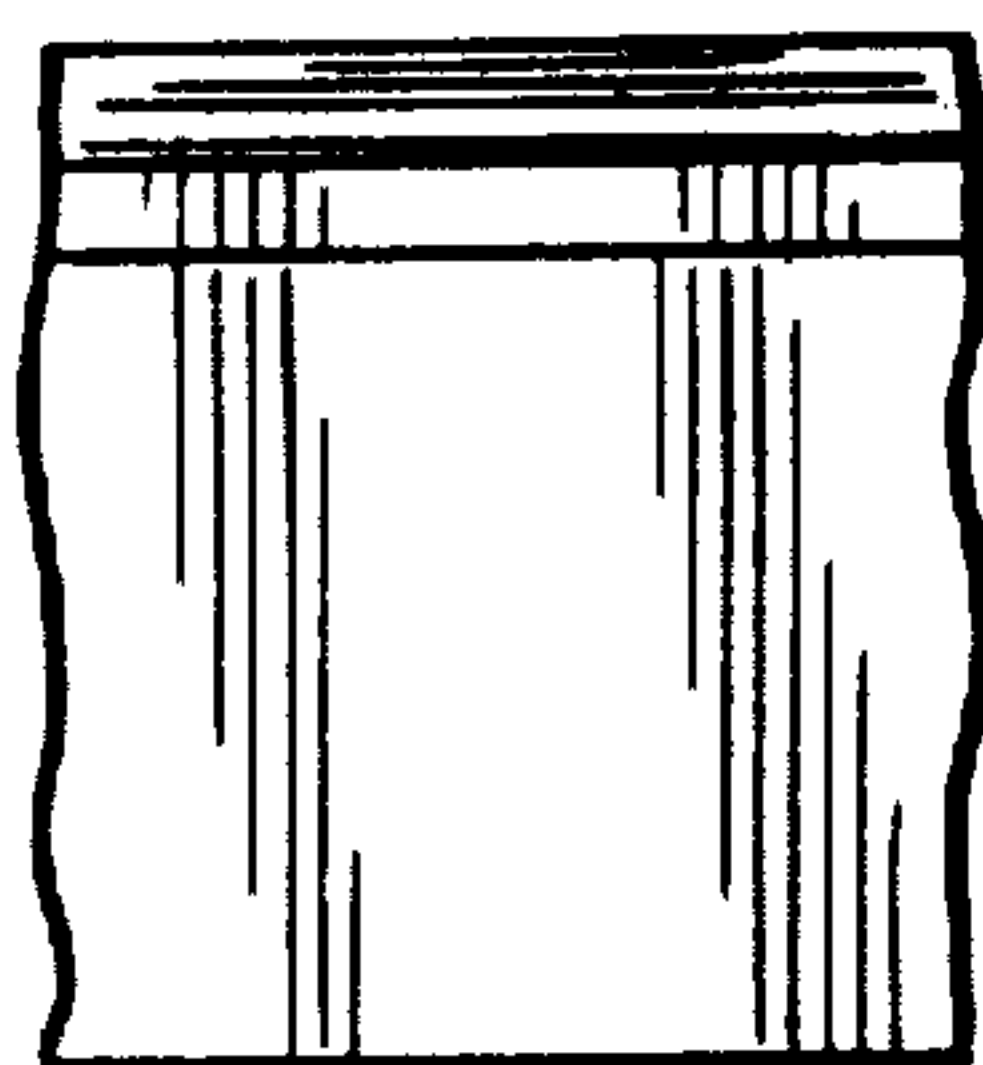


FIG. 3

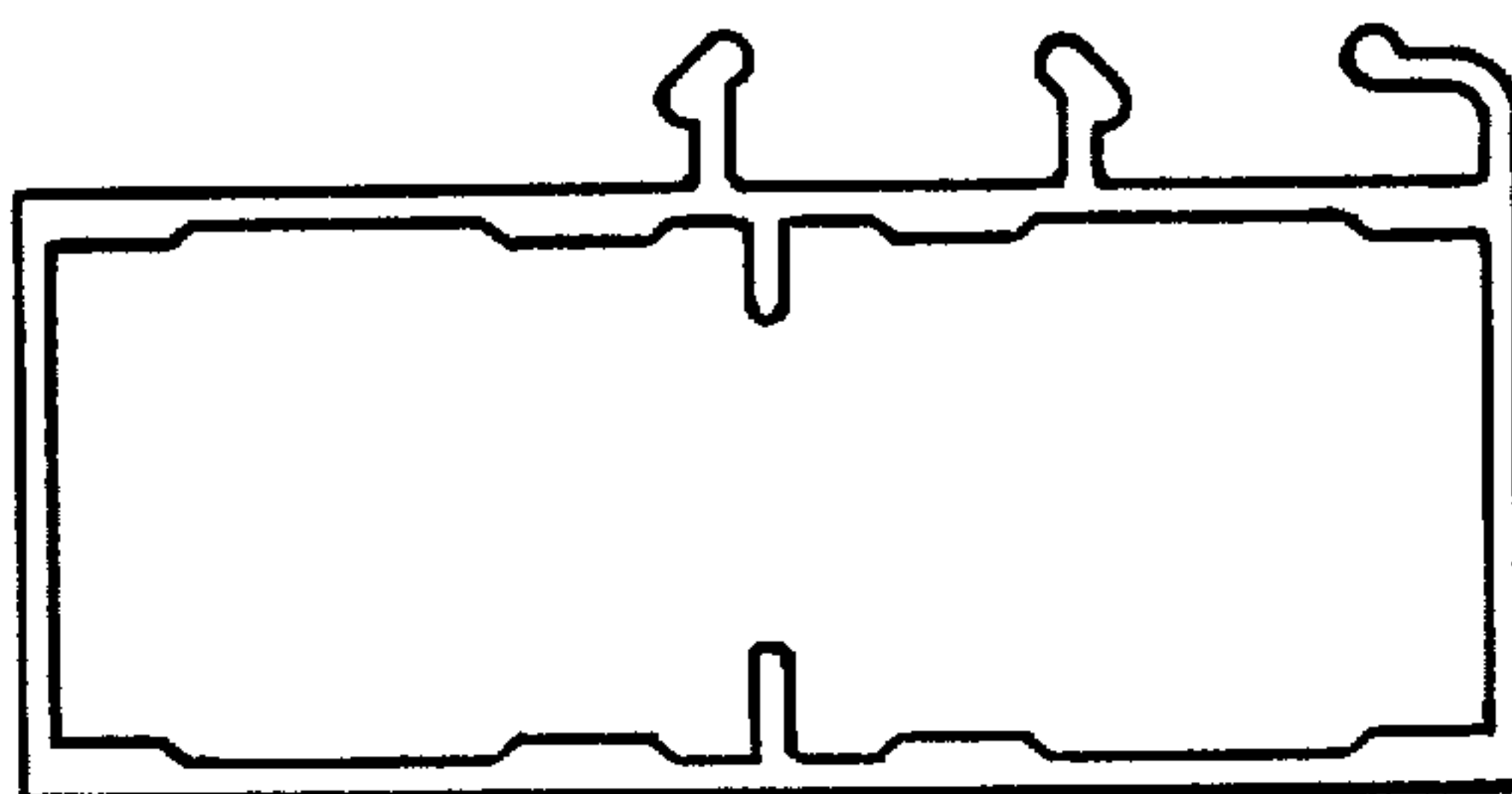


FIG. 2

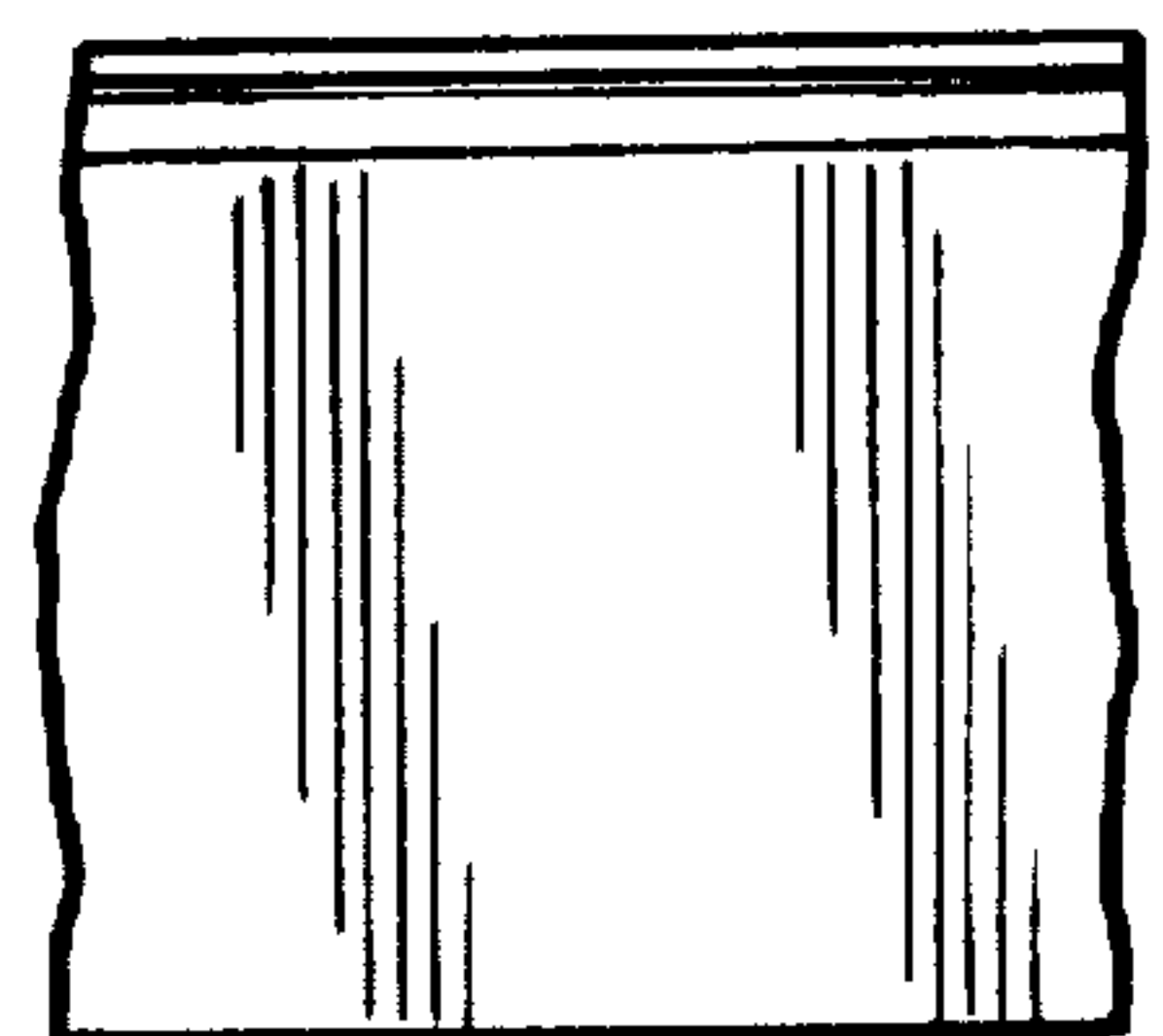


FIG. 4

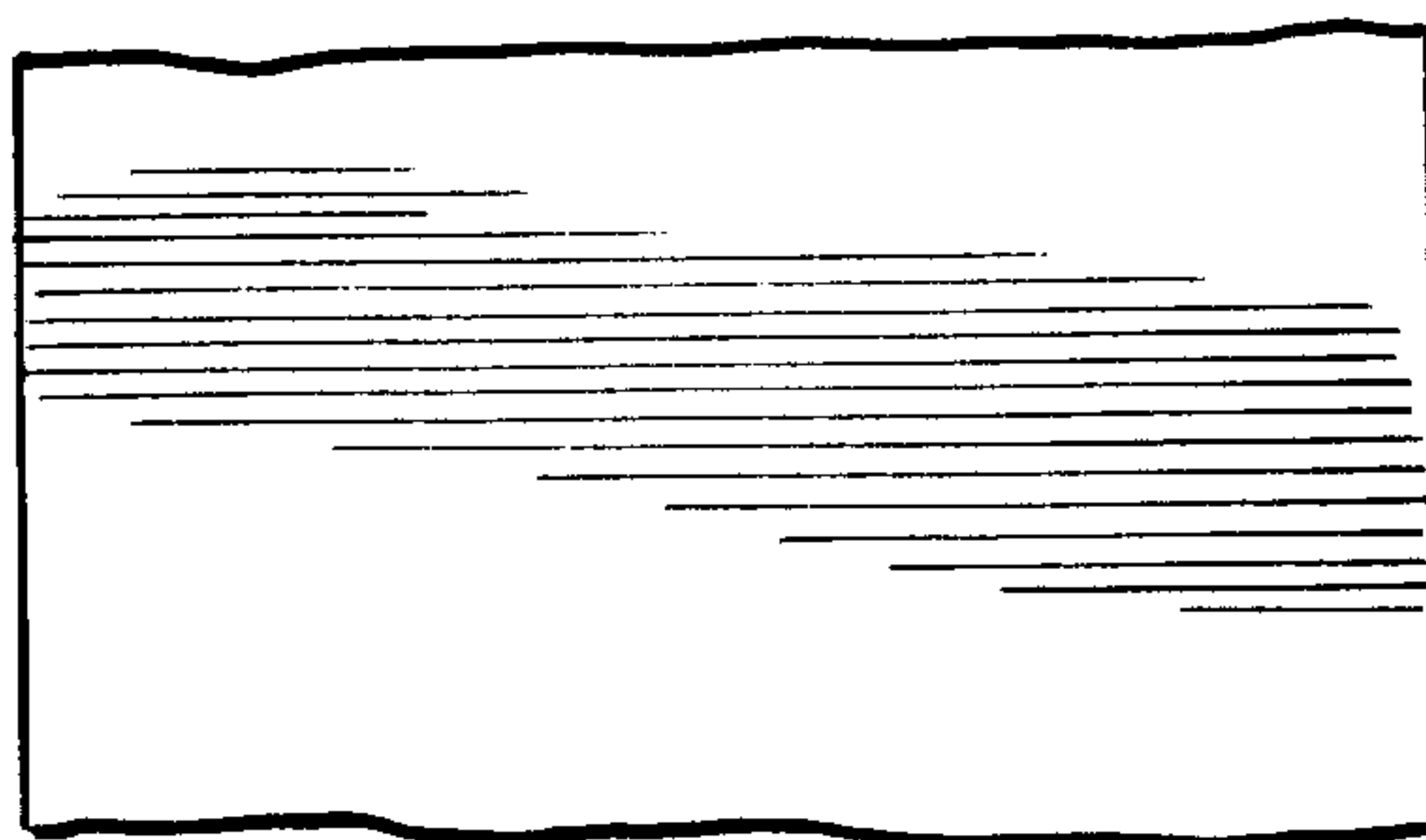


FIG. 6