

[54] TUBULAR EXTRUDED SUPPORT AND RETAINER FOR PLASTIC SHEET COVERS

[75] Inventor: Stephen R. Kenin, Taos, N. Mex.

[73] Assignee: Solar Resources, Inc., Taos, N. Mex.

[**] Term: 14 Years

[21] Appl. No.: 290,705

[22] Filed: Aug. 6, 1981

[51] Int. Cl. D25-01

[52] U.S. Cl. D25/74

[58] Field of Search 52/202; 160/392, 395, 160/371, 372, 394, 397; D25/73-77; D8/354

[56] References Cited

U.S. PATENT DOCUMENTS

- D. 174,156 3/1955 Blanchard D25/74
- D. 191,906 12/1961 Jaffa D25/74 X
- D. 227,981 7/1973 La Borde D25/74
- 4,084,360 4/1978 Reckson 160/392

4,267,876 5/1981 Bloomfield 160/392

Primary Examiner—A. Hugo Word
Attorney, Agent, or Firm—Kinney, Lange, Braddock, Westman and Fairbairn

[57] CLAIM

The ornamental design for a tubular extruded support and retainer for plastic sheet covers, substantially as shown and described.

DESCRIPTION

FIG. 1 is a perspective view of a tubular extruded support and retainer for plastic sheet covers embodying my new design;

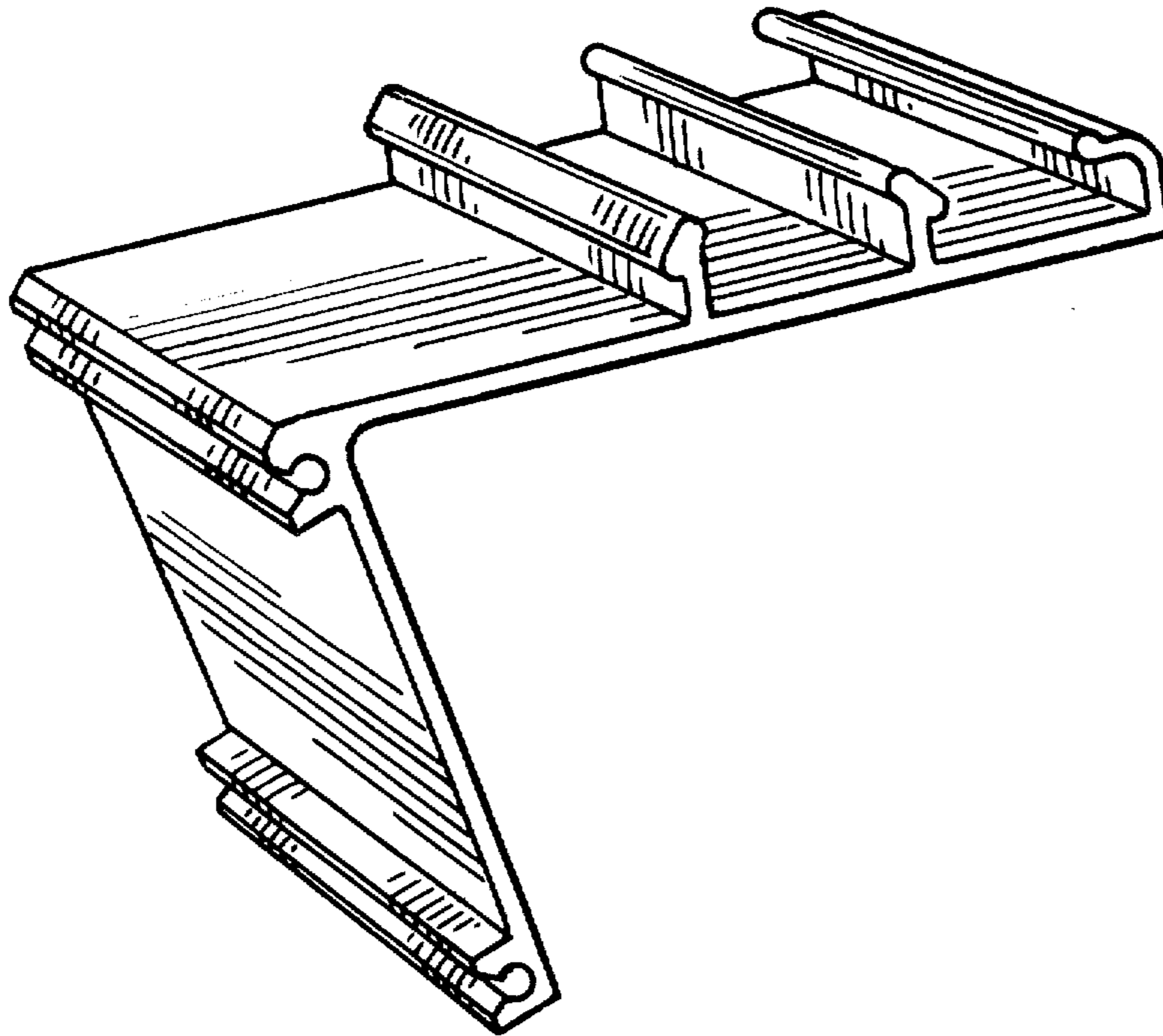
FIG. 2 is an end elevational view thereof;

FIG. 3 is a side elevational view thereof;

FIG. 4 is a side elevational view thereof from the side opposite from FIG. 3;

FIG. 5 is a top plan view thereof; and

FIG. 6 is a bottom plan elevational view thereof; the end view not shown is identical to the end view shown.



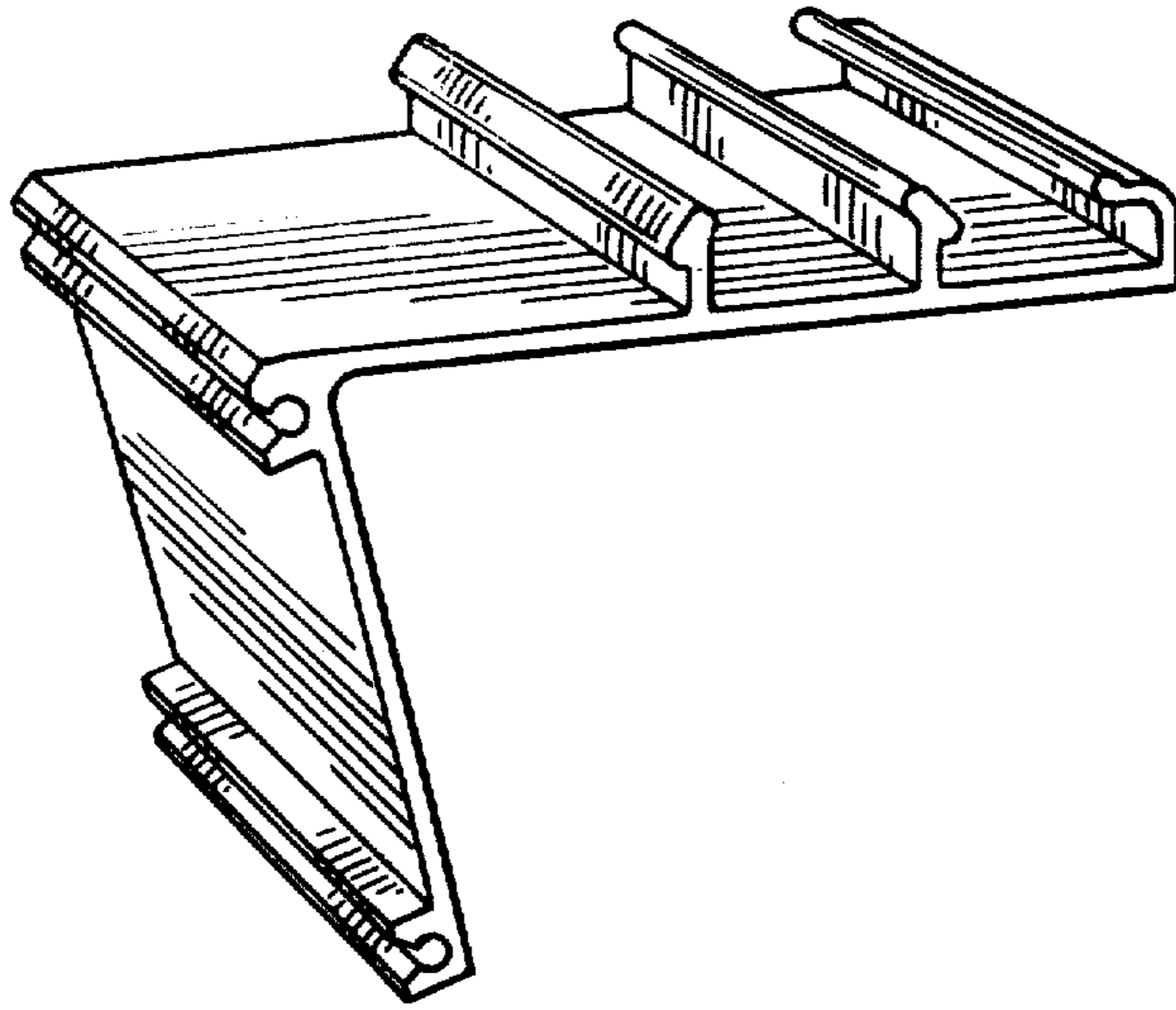


FIG. 1

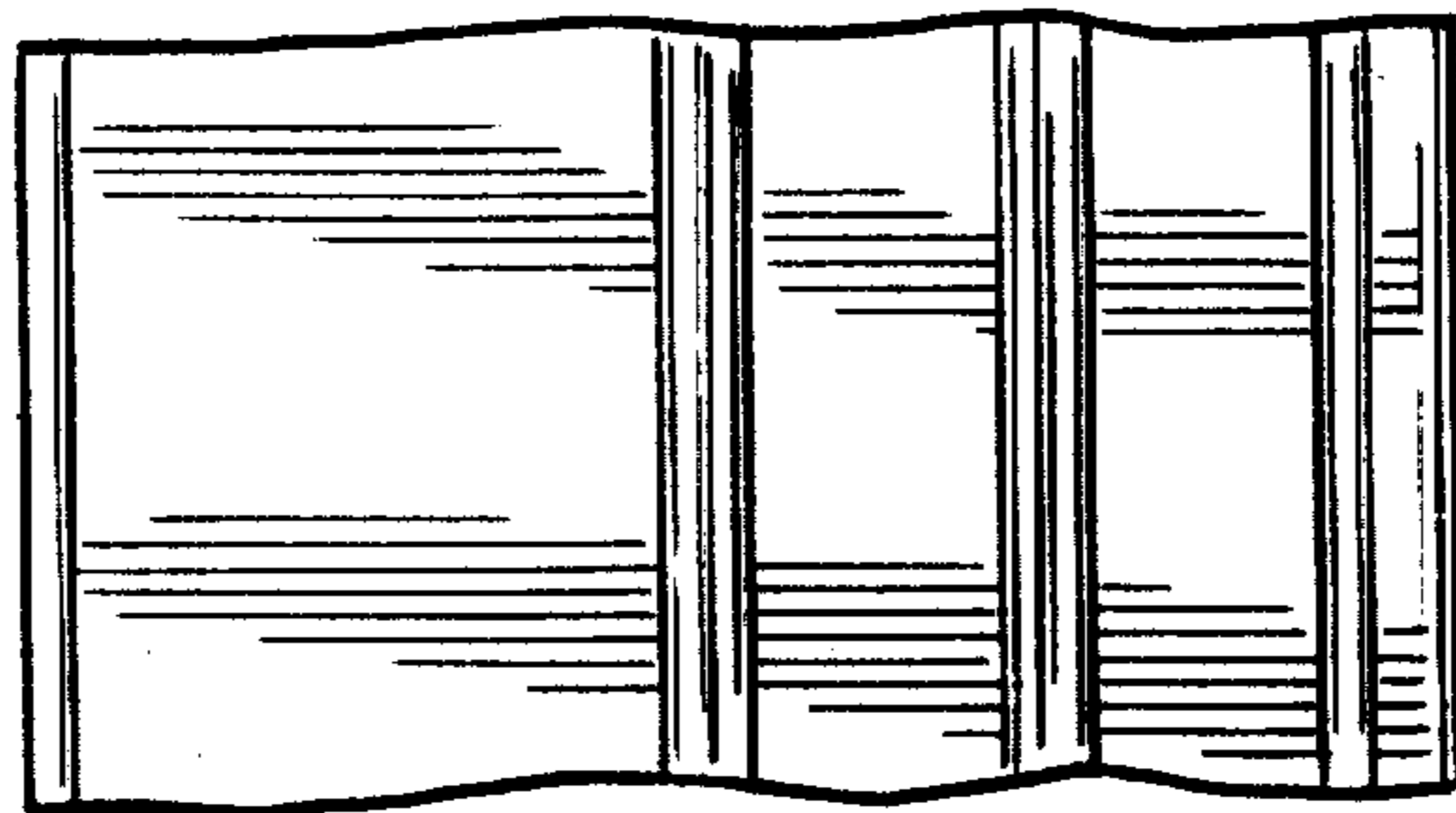


FIG. 5

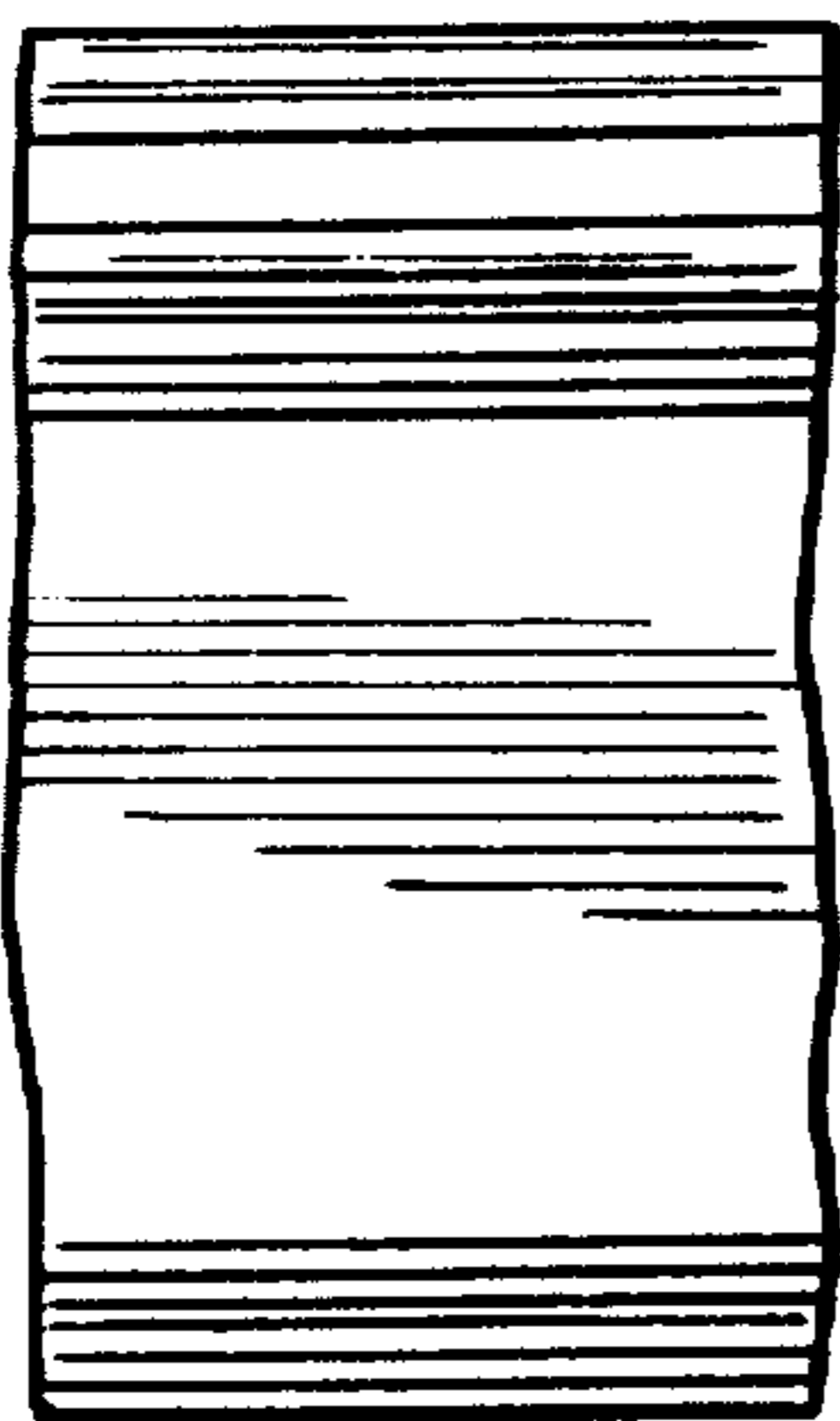


FIG. 3

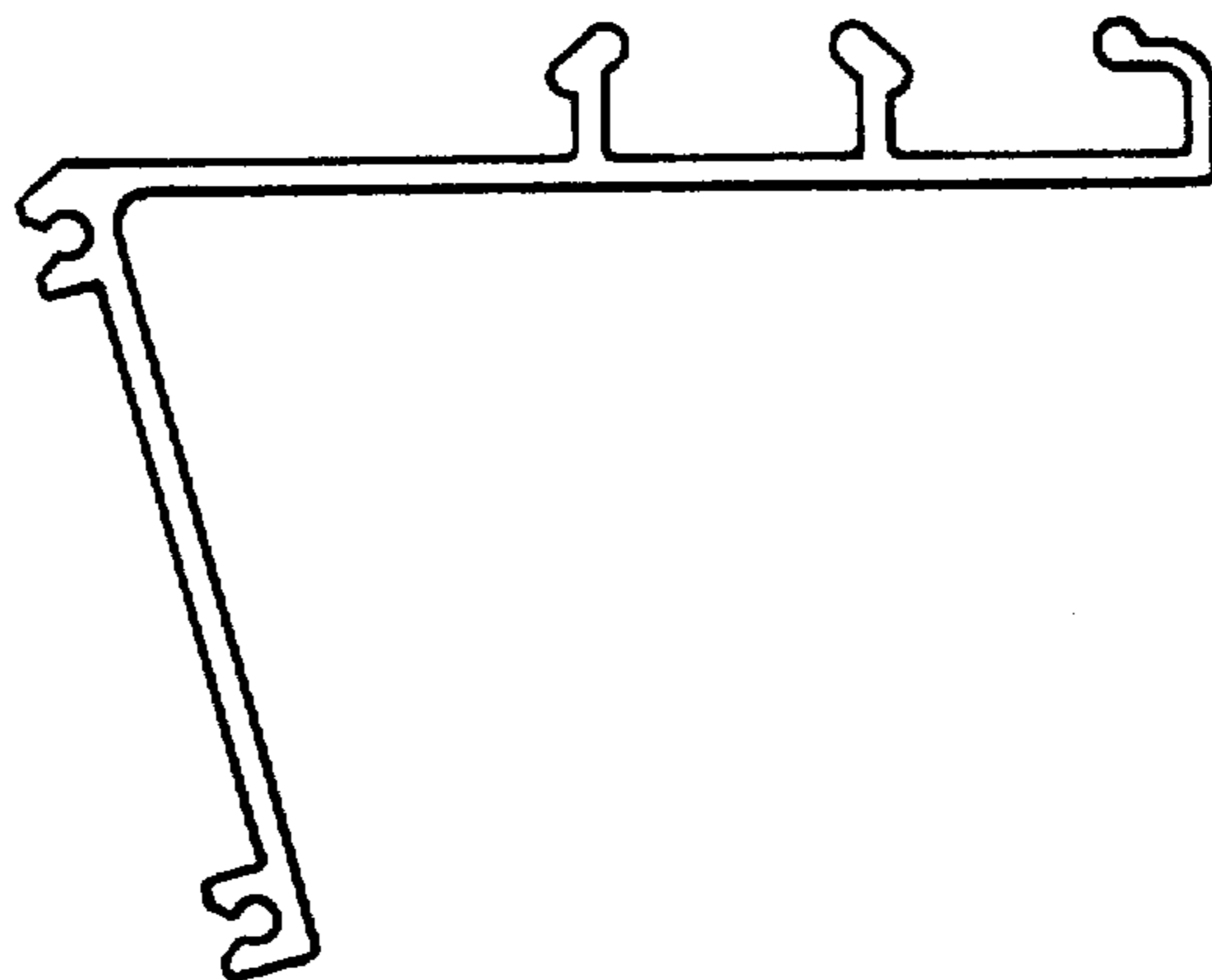


FIG. 2

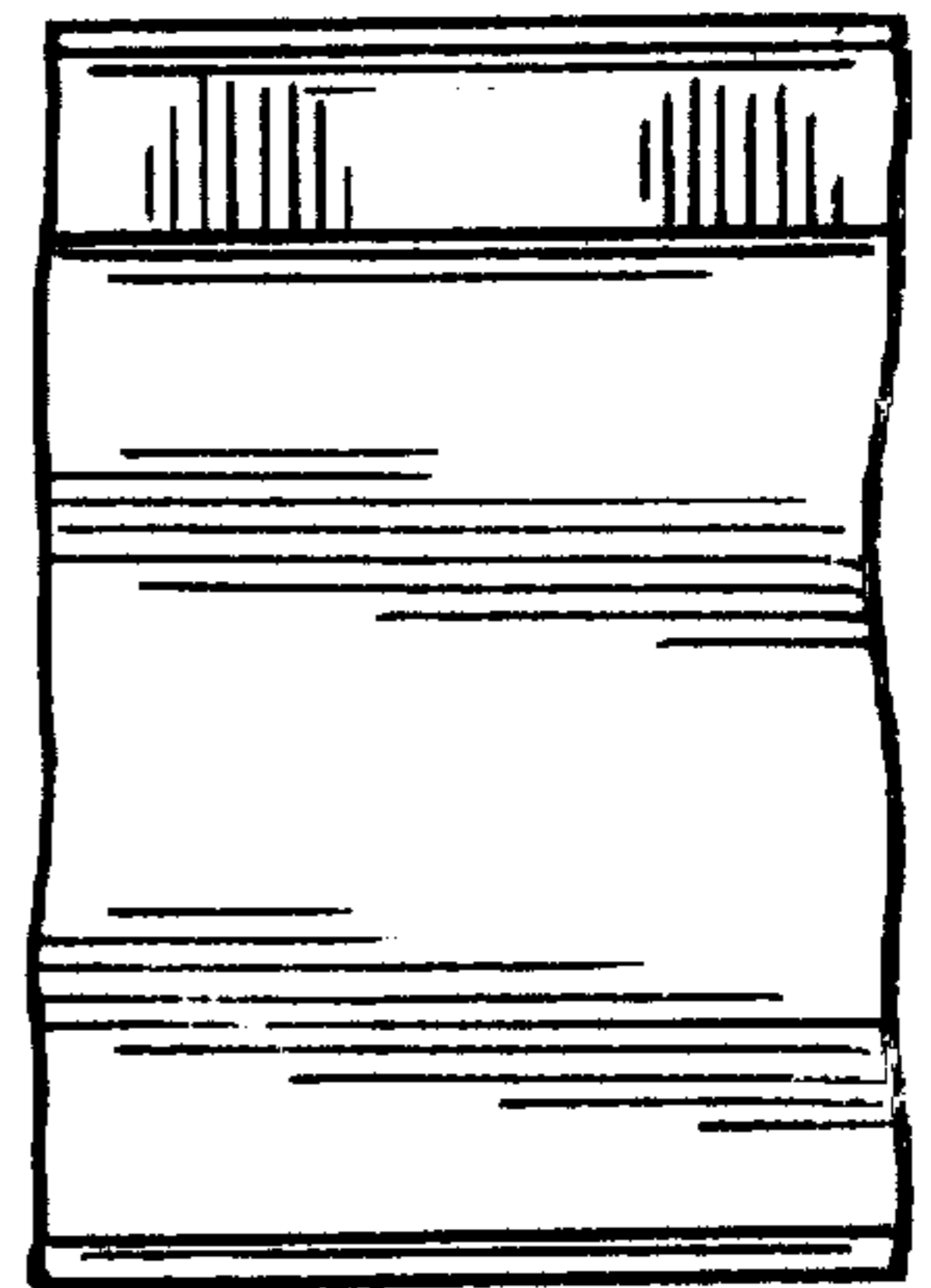


FIG. 4

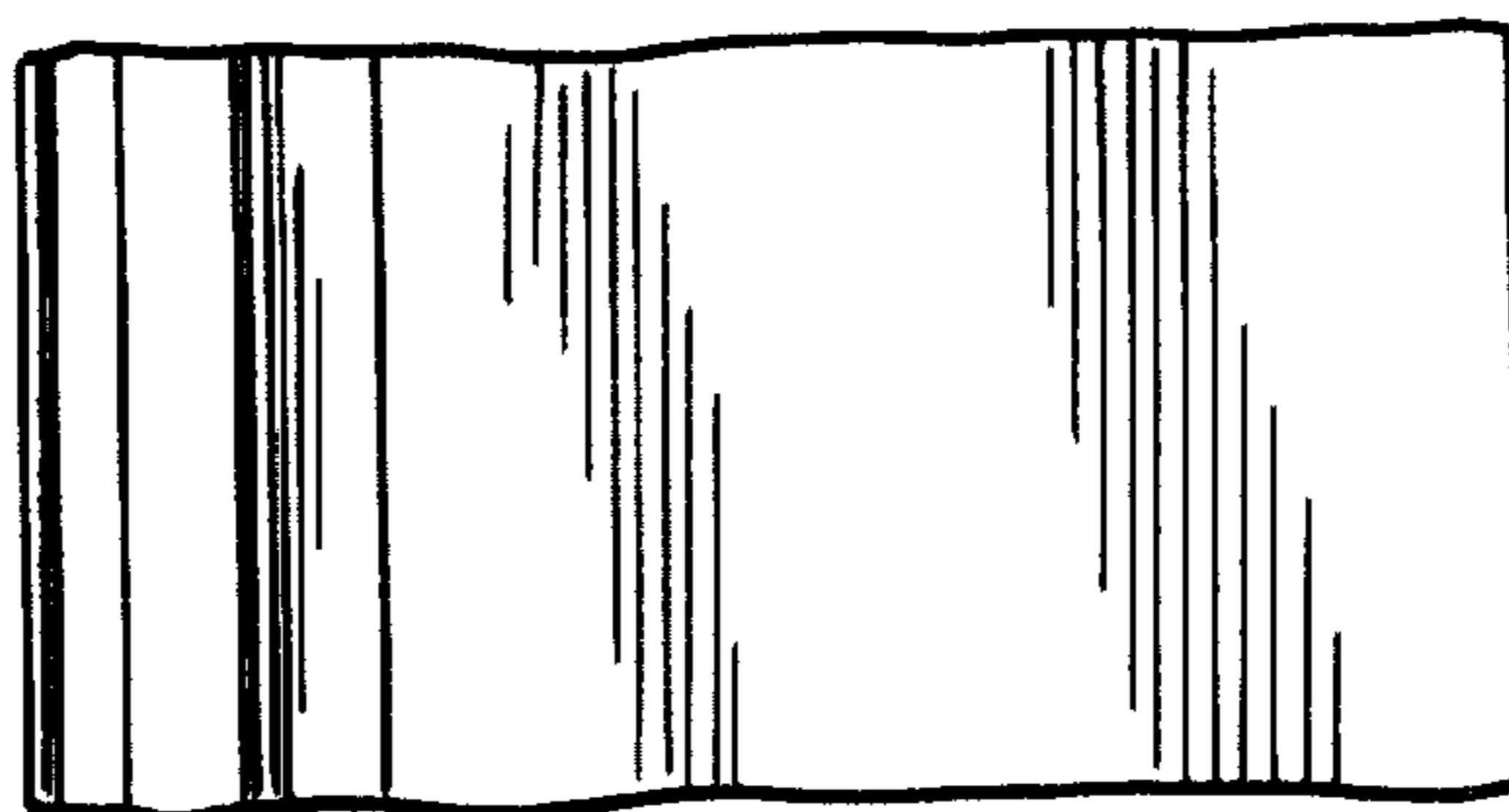


FIG. 6