

[54] **ORTHODONTIC INSTRUMENT FOR APPLYING ELASTIC LIGATURES**

[76] Inventors: **Neville Clarke**, 6 Fisk St., Wurruk, Victoria; **Richard C. Case**, 16 Hamilton Rd., Malvern, Victoria, both of Australia

[**] Term: **14 Years**

[21] Appl. No.: **189,393**

[22] Filed: **Sep. 19, 1980**

[30] **Foreign Application Priority Data**

Mar. 31, 1980 [AU] Australia 80600

[51] Int. Cl. **D24-02**

[52] U.S. Cl. **D24/10; D24/11**

[58] Field of Search **433/3; D24/11, 10**

[56] **References Cited**

U.S. PATENT DOCUMENTS

D. 218,097 7/1970 Dimmer D24/11

D. 241,647 9/1976 Ruggieri D24/11

D. 249,062	8/1978	Crafoord	D24/10
4,155,164	5/1979	White	433/3
4,192,068	3/1980	Wolfson	433/3
4,260,374	4/1981	Kurz	433/3
4,277,236	7/1981	Kurz	433/3

Primary Examiner—Bernard Ansher
Attorney, Agent, or Firm—Sughrue, Mion, Zinn, Macpeak and Seas

[57] **CLAIM**

The ornamental design for an orthodontic instrument for applying elastic ligatures, substantially as shown.

DESCRIPTION

FIG. 1 is a top front perspective view of an orthodontic instrument for applying elastic ligatures, showing our new design;

FIG. 2 is a bottom rear perspective view thereof;

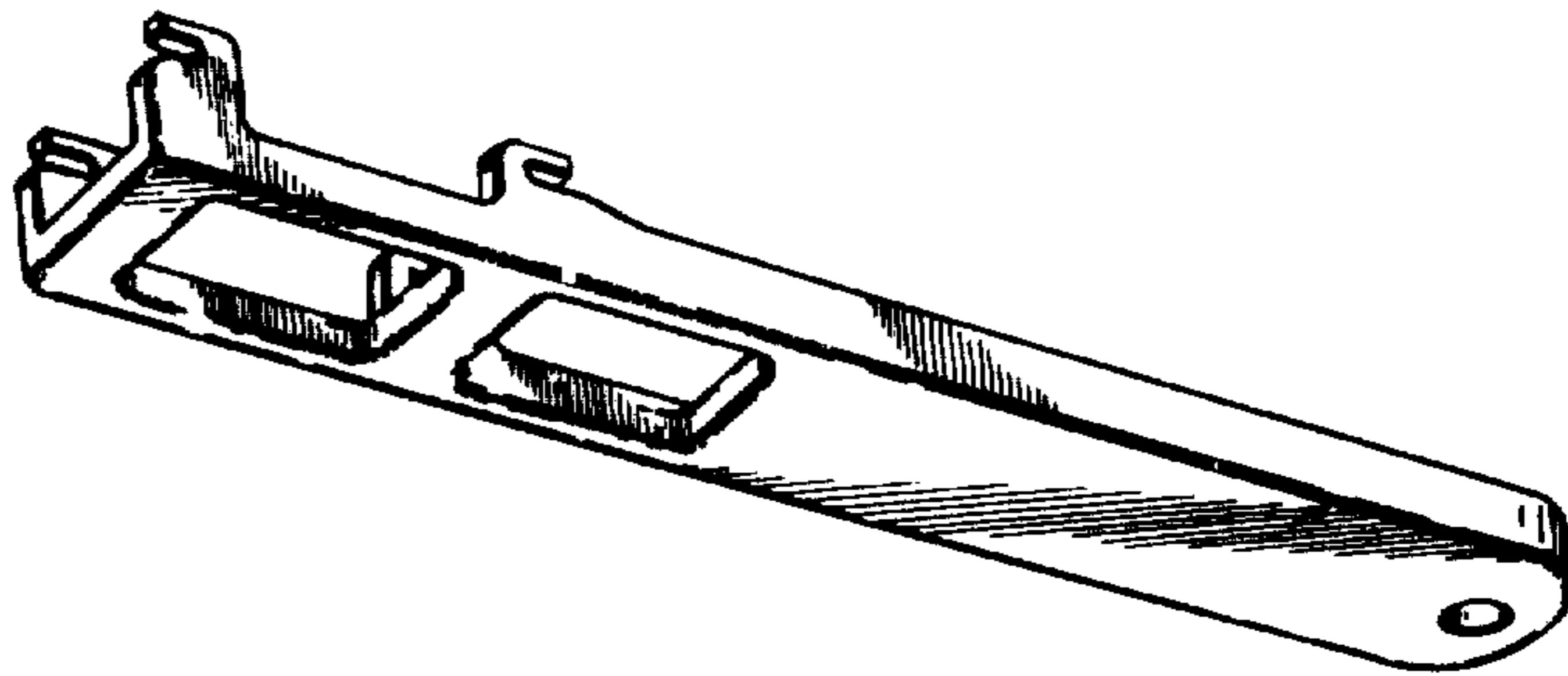
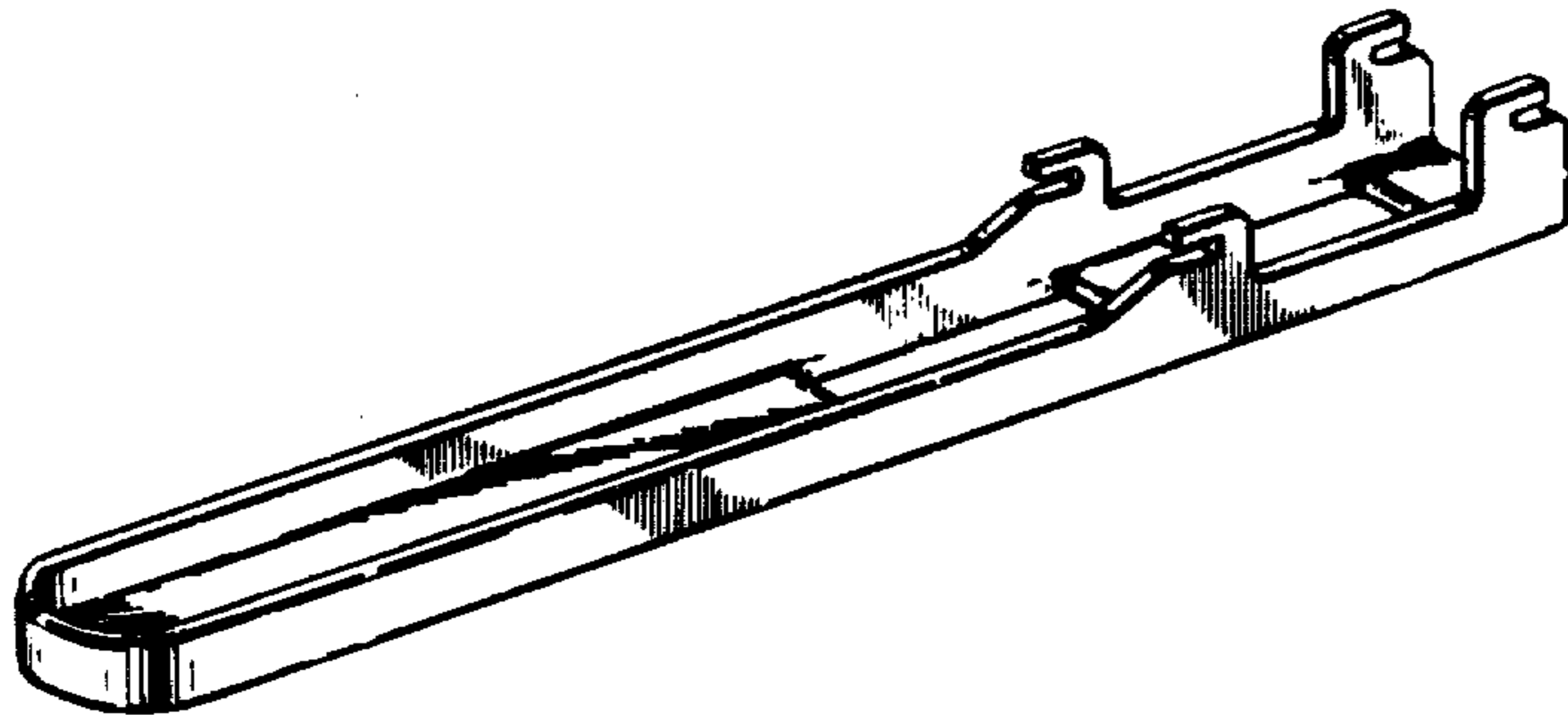
FIG. 3 is a top plan view thereof;

FIG. 4 is a side elevation thereof;

FIG. 5 is a bottom plan view thereof;

FIG. 6 is a left end elevational view thereof; and

FIG. 7 is a right end elevation view thereof.



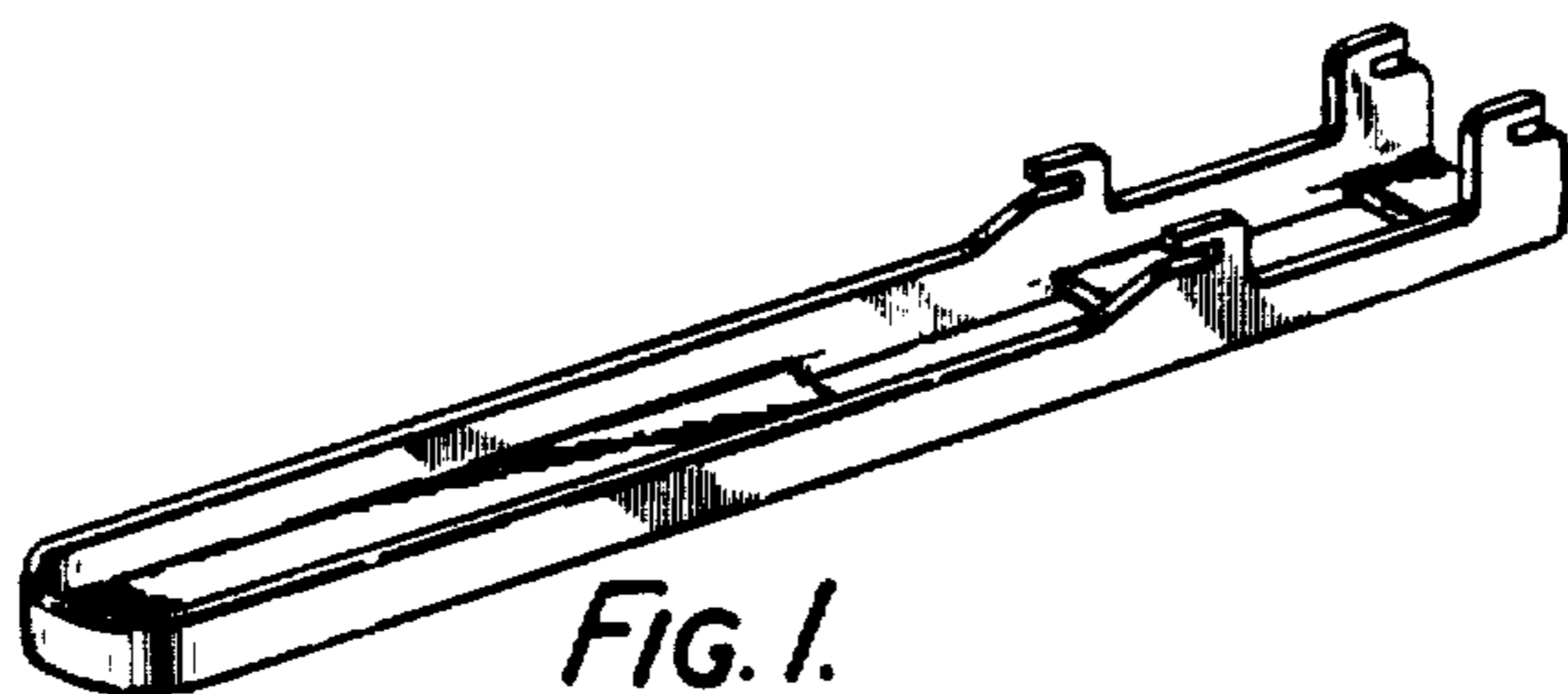


FIG. 1.

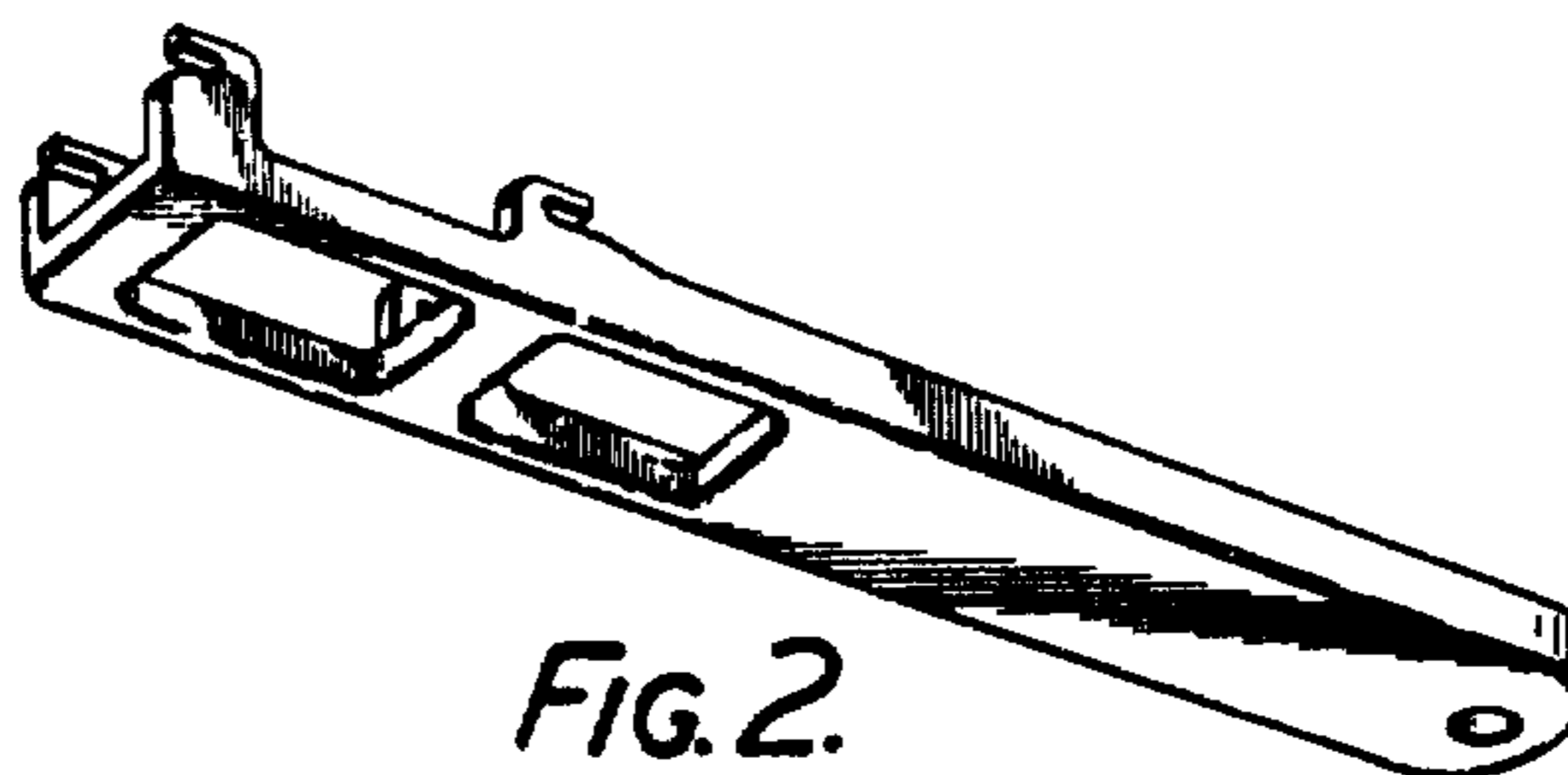


FIG. 2.

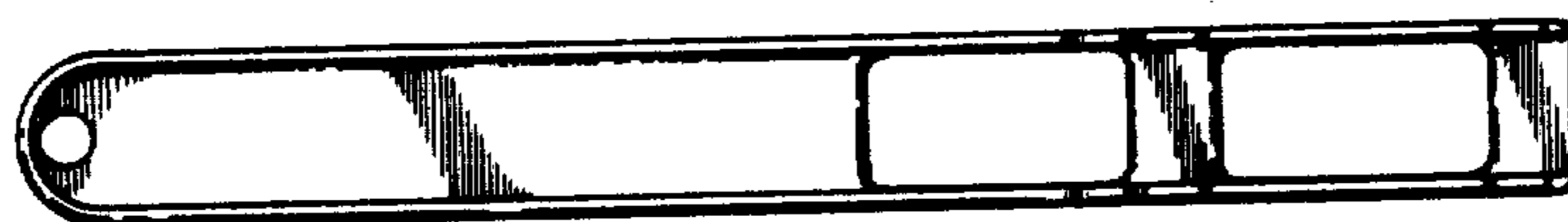


FIG. 3.

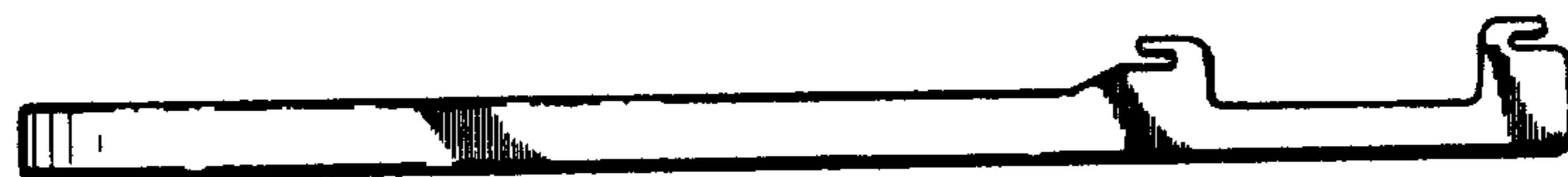


FIG. 4.



FIG. 5.



FIG. 6.



FIG. 7.