

[54] **SEWERLESS TOILET OR SIMILAR ARTICLE**

[75] Inventors: **Kenneth J. DeGraw, Montvale; Earl W. Nickerson, Ocean City, both of N.J.**

[73] Assignee: **American Standard Inc., New York, N.Y.**

[**] Term: **14 Years**

[21] Appl. No.: **320,269**

[22] Filed: **Nov. 12, 1981**

[51] Int. Cl. **D23-02**

[52] U.S. Cl. **D23/48; D23/65**

[58] Field of Search **D23/48, 65-67; 4/317-323, 449, 459, 460, 474-476, 479, DIG. 12**

[56] **References Cited**

U.S. PATENT DOCUMENTS

D. 193,169	7/1962	Wood	D23/48
D. 222,060	9/1971	Quintana	D23/48
D. 241,845	10/1976	Shansio	D23/48
D. 247,913	5/1978	Whitney et al.	D23/65

3,577,568	5/1971	Johansen et al.	4/317
3,593,345	7/1971	Wells	4/317 X
3,846,847	11/1974	Tufts et al.	4/317 X
3,882,552	5/1975	Turner	4/321 X
4,215,445	8/1980	Antos et al.	4/323
4,310,934	1/1982	Hennessey et al.	4/321
4,313,234	2/1982	Stewart	4/449

Primary Examiner—James R. Largen
Attorney, Agent, or Firm—James J. Salerno, Jr.; Robert G. Crooks; John P. Sinnott

[57] **CLAIM**

The ornamental design for a sewerless toilet or similar article, substantially as shown and described.

DESCRIPTION

FIG. 1 is a right side elevational view of a sewerless toilet embodying our new design, the left side being a mirror image of the right side shown; FIG. 2 is a front elevational view thereof; FIG. 3 is a top plan view thereof; FIG. 4 is a rear elevational view thereof; FIG. 5 is a bottom plan view thereof, and FIG. 6 is a perspective view taken from the top, front and right side of a modified form to the sewerless toilet shown in FIG. 1.

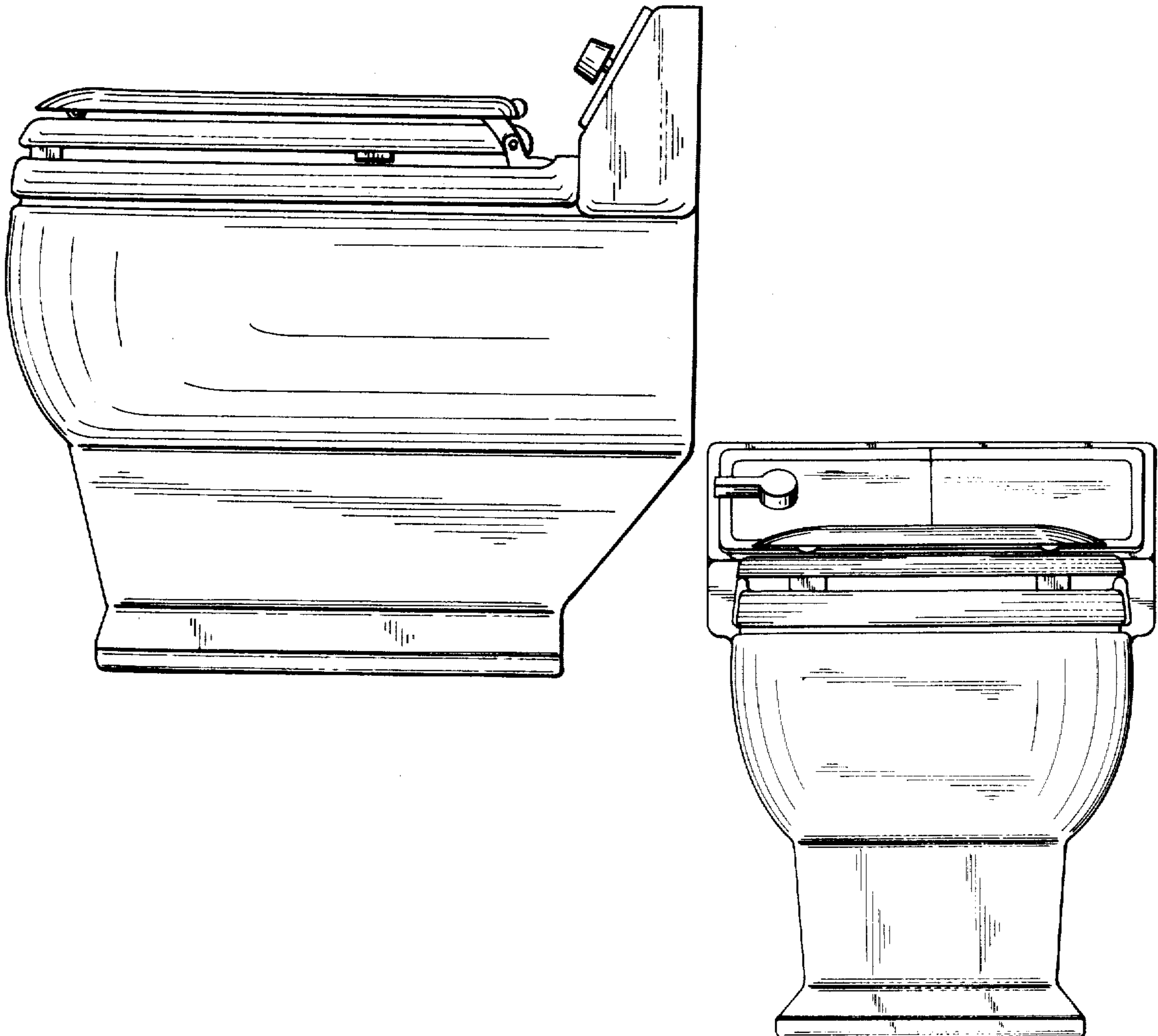


FIG. 1

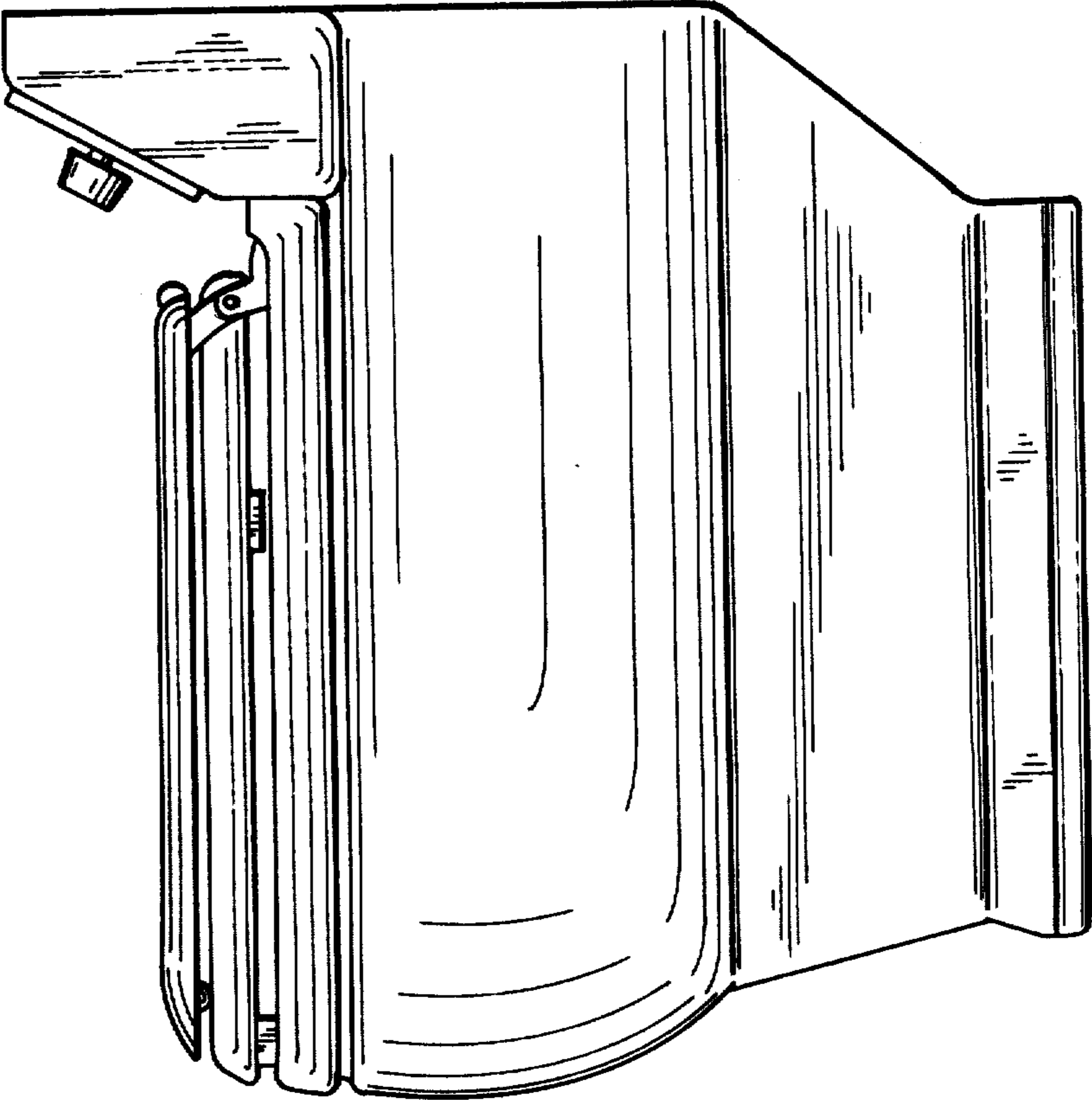


FIG. 2

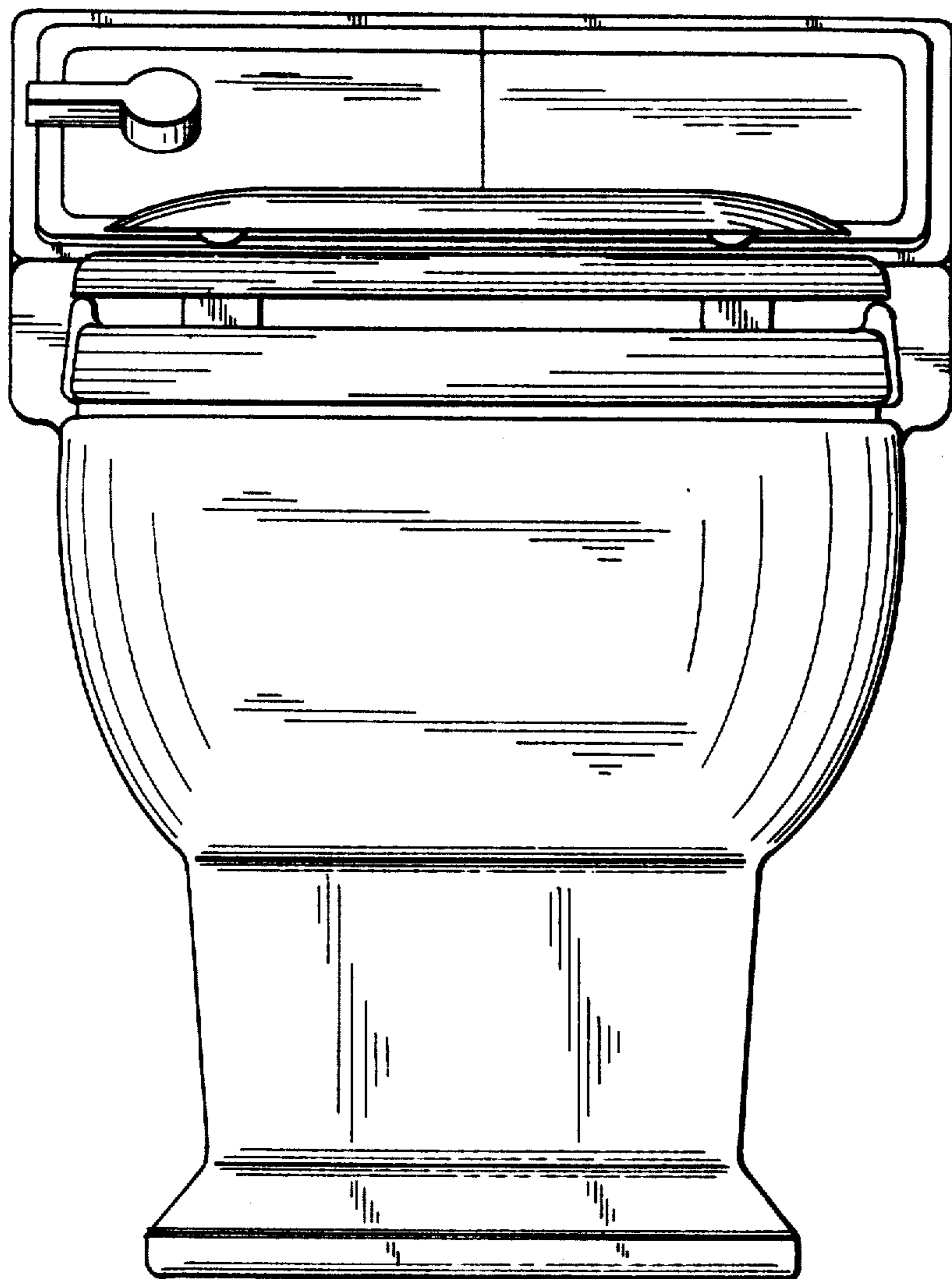


FIG. 3

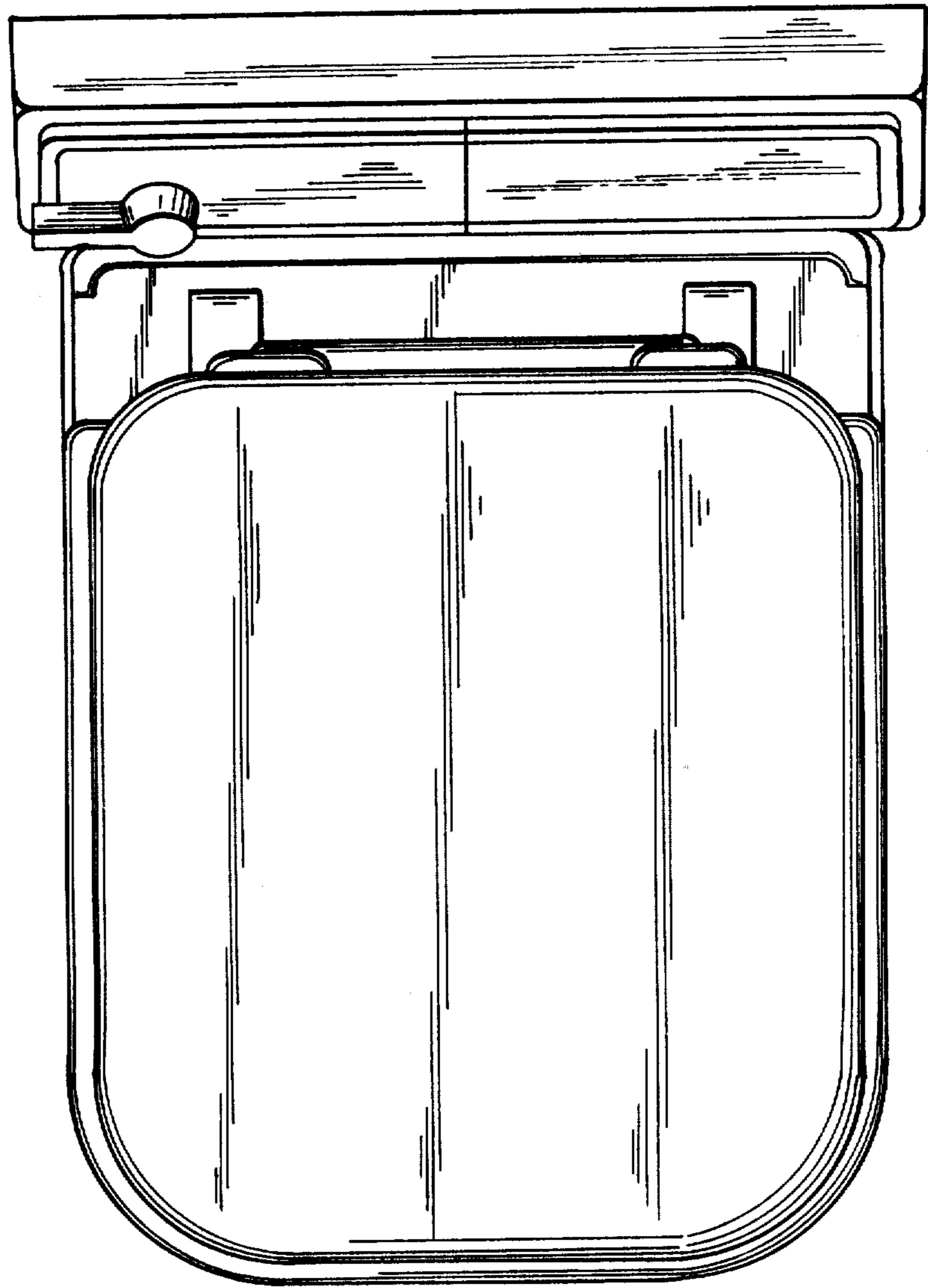


FIG. 4

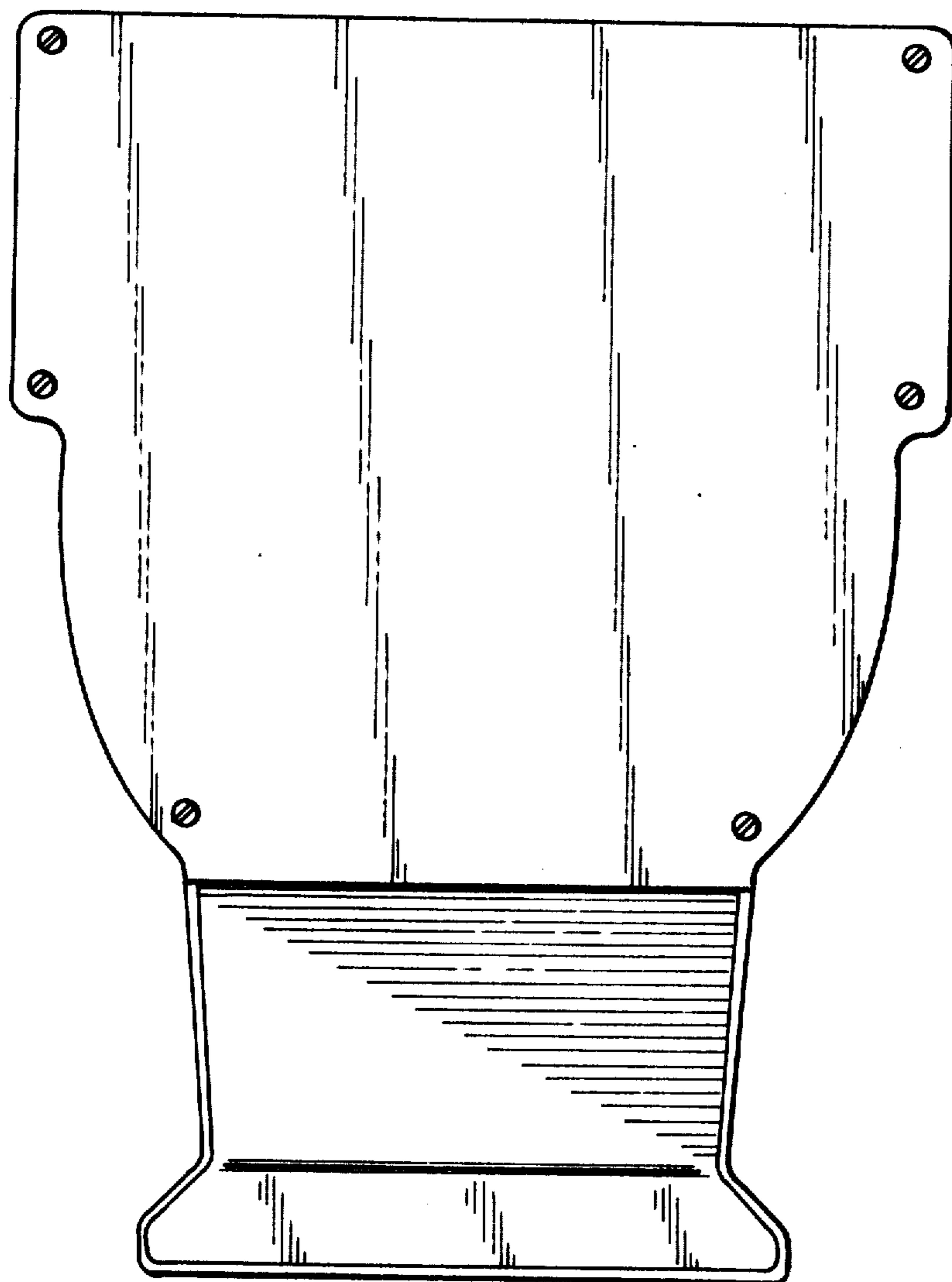


FIG. 5

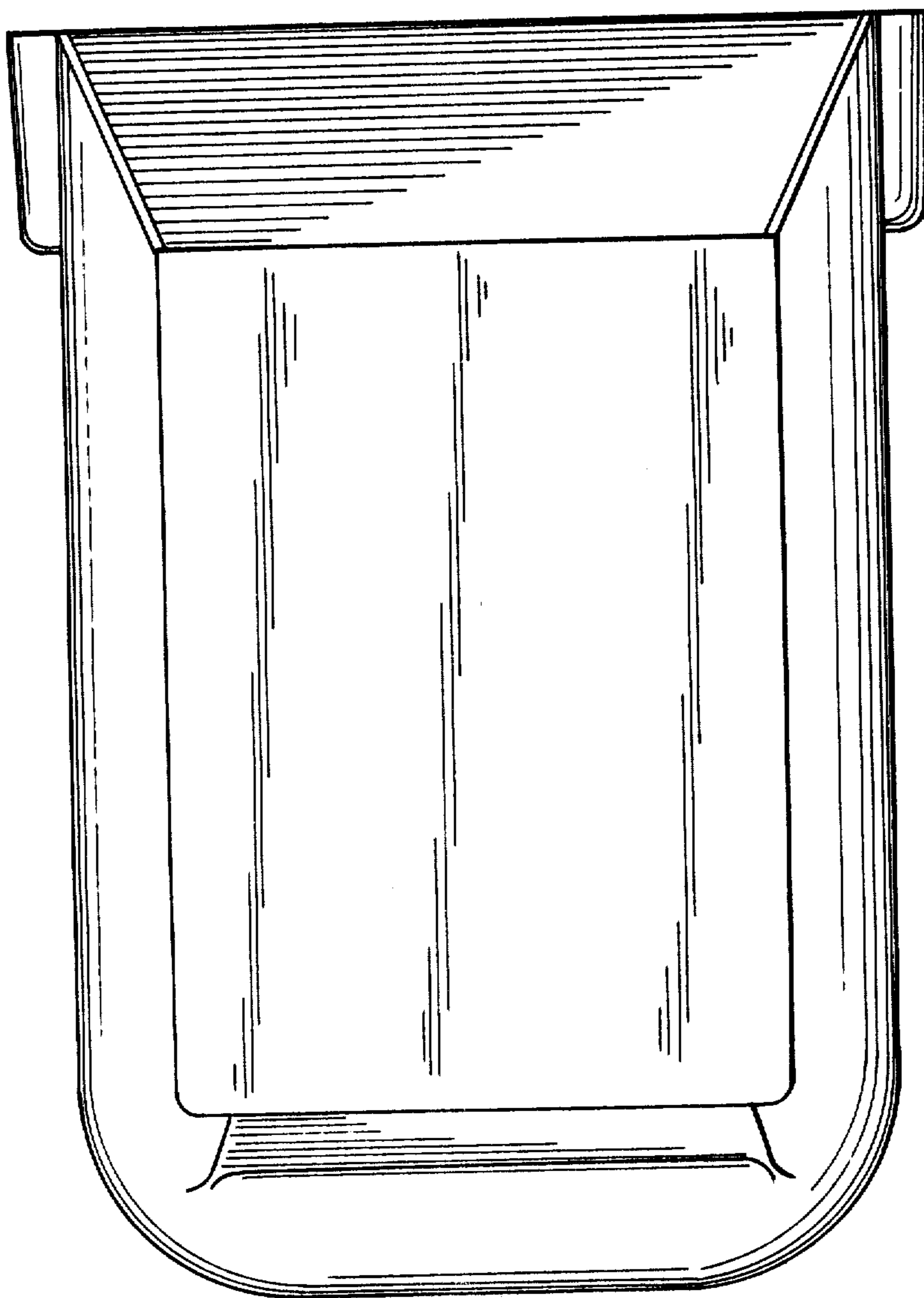


FIG. 6

