

[54] DUAL NOTEPAPER PAD AND PEN HOLDER

[75] Inventor: Walter C. Pearson, St. Paul, Minn.

[73] Assignee: Minnesota Mining & Manufacturing Company, St. Paul, Minn.

[**] Term: 14 Years

[21] Appl. No.: 289,771

[22] Filed: Aug. 3, 1981

[51] Int. Cl. D19-02

[52] U.S. Cl. D19/78; D19/22; D19/23; D19/76; D19/86; D19/92

[58] Field of Search D19/22, 23, 75, 76, D19/78, 86, 91, 92; D3/30.1, 78; 40/371, 372

[56] References Cited

U.S. PATENT DOCUMENTS

- D. 188,831 9/1960 Olson D19/92
- D. 206,698 1/1967 Edwards D19/78
- D. 209,882 1/1968 Anderson D19/75

- D. 226,288 2/1973 Greif D19/76
- D. 240,420 7/1976 Hegemann D19/76
- D. 250,437 12/1978 Korpijaakko D19/75

OTHER PUBLICATIONS

Park Sherman Cat. 1979/80, p. 20, Item No. 375BK.

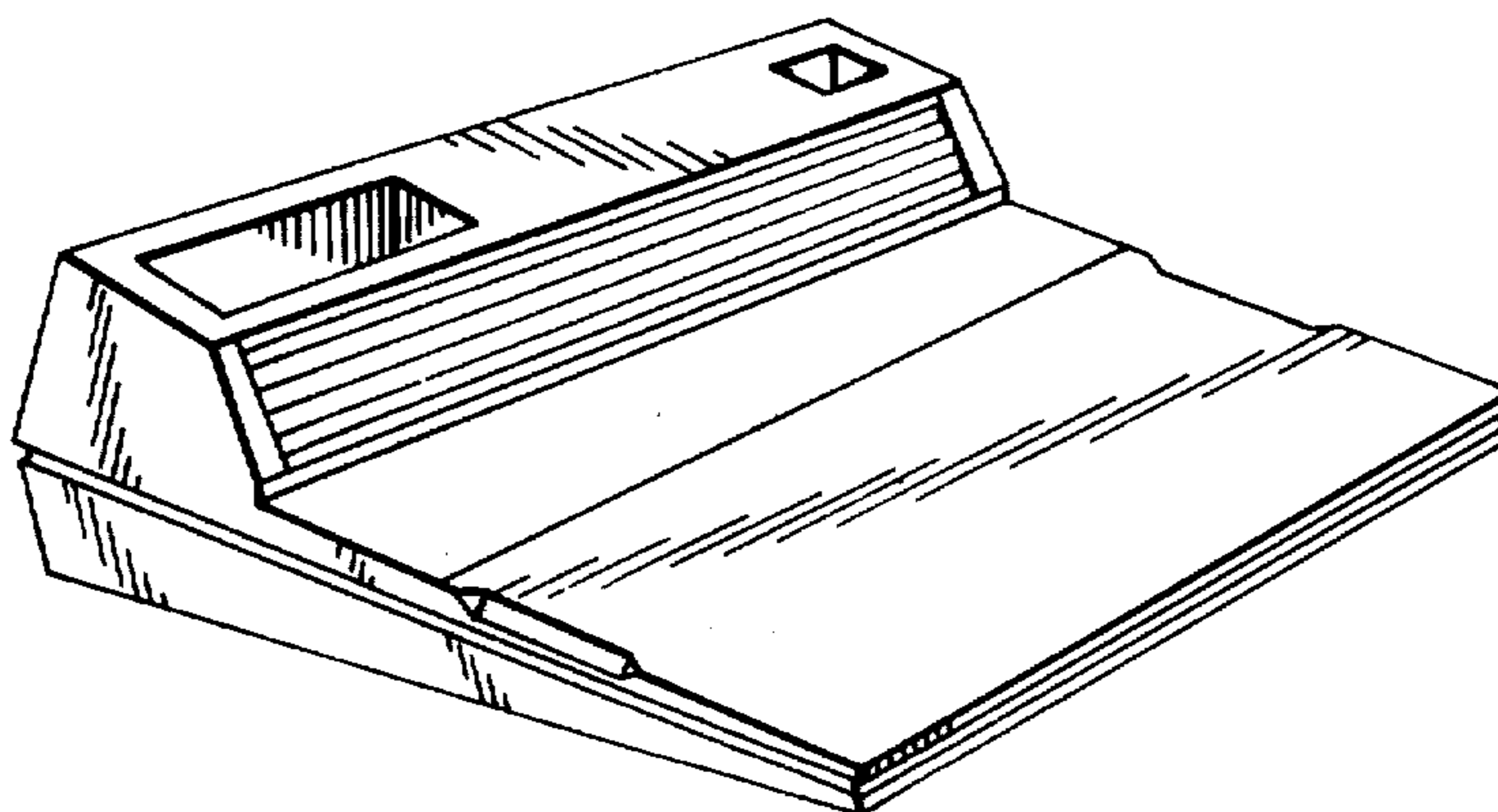
Primary Examiner—George P. Word
Attorney, Agent, or Firm—Cruzan Alexander; Donald M. Sell; John C. Barnes

[57] CLAIM

The ornamental design for a dual notepaper pad and pen holder, substantially as shown.

DESCRIPTION

FIG. 1 is a perspective view of a dual notepaper pad and pen holder, showing my new design;
FIG. 2 is a top plan view thereof;
FIG. 3 is a right side elevational view, the left side being a mirror image thereof;
FIG. 4 is a front elevational view thereof;
FIG. 5 is a rear elevational view thereof; and
FIG. 6 is a bottom plan view thereof.



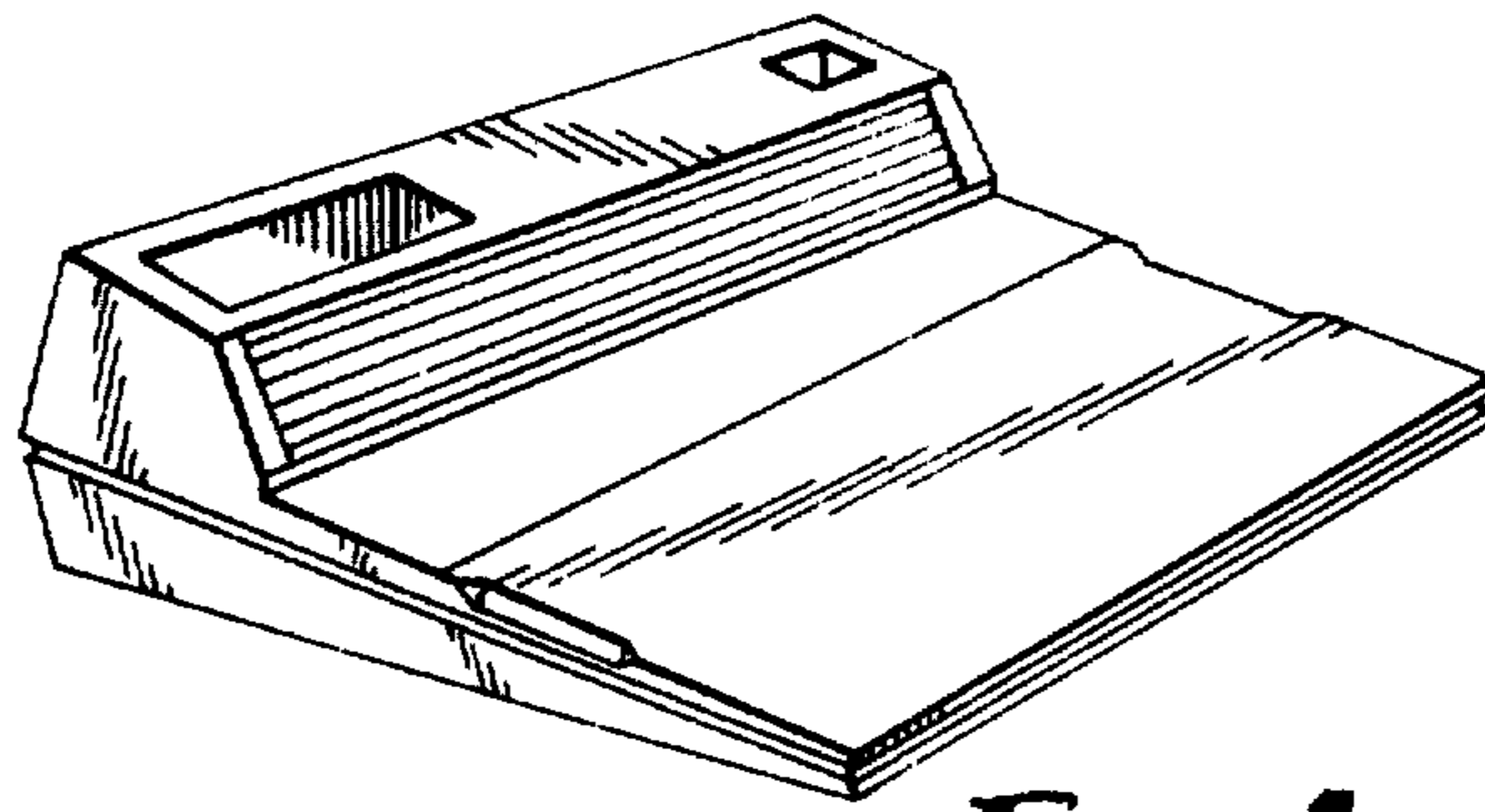


FIG. 1

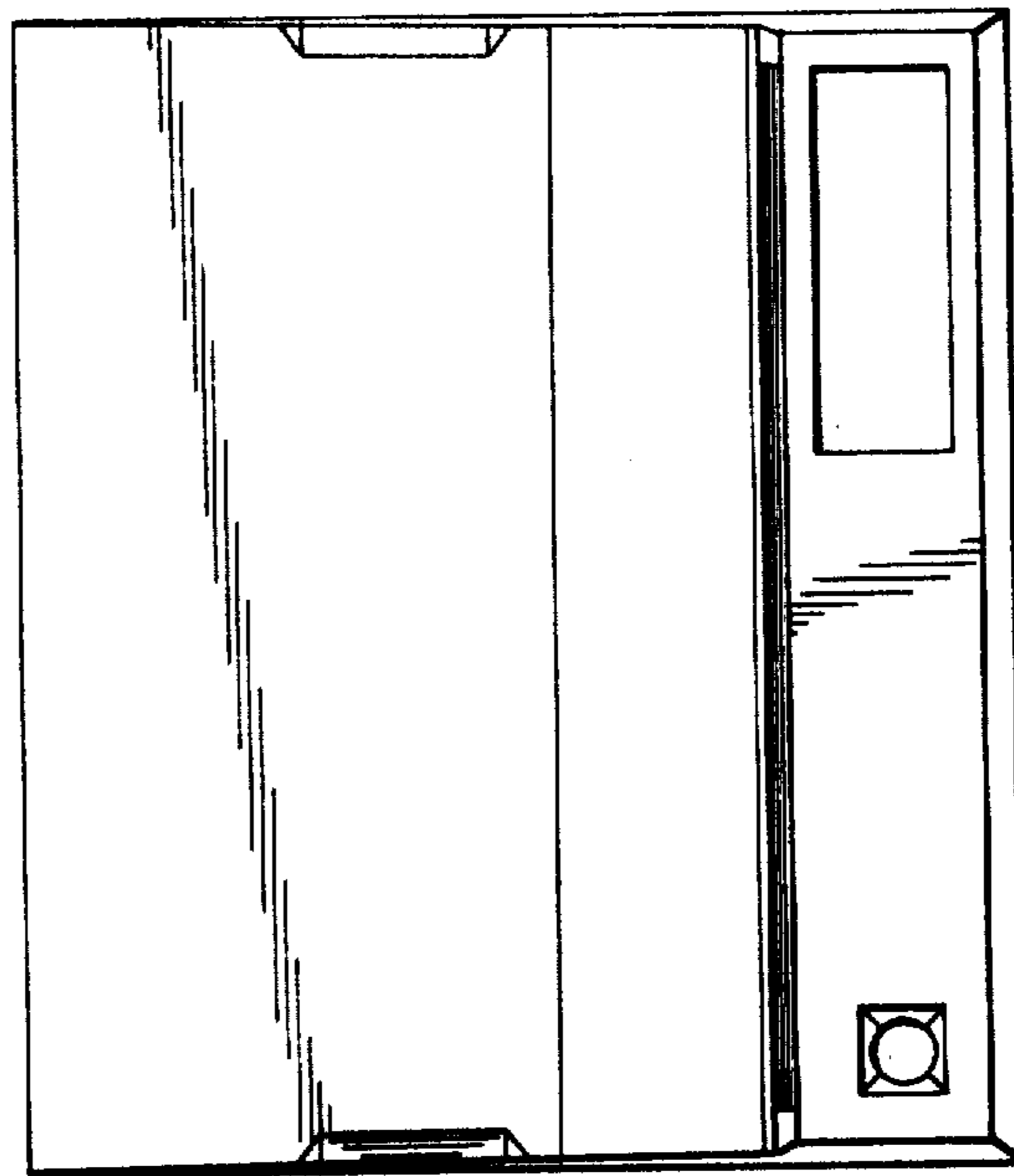


FIG. 2

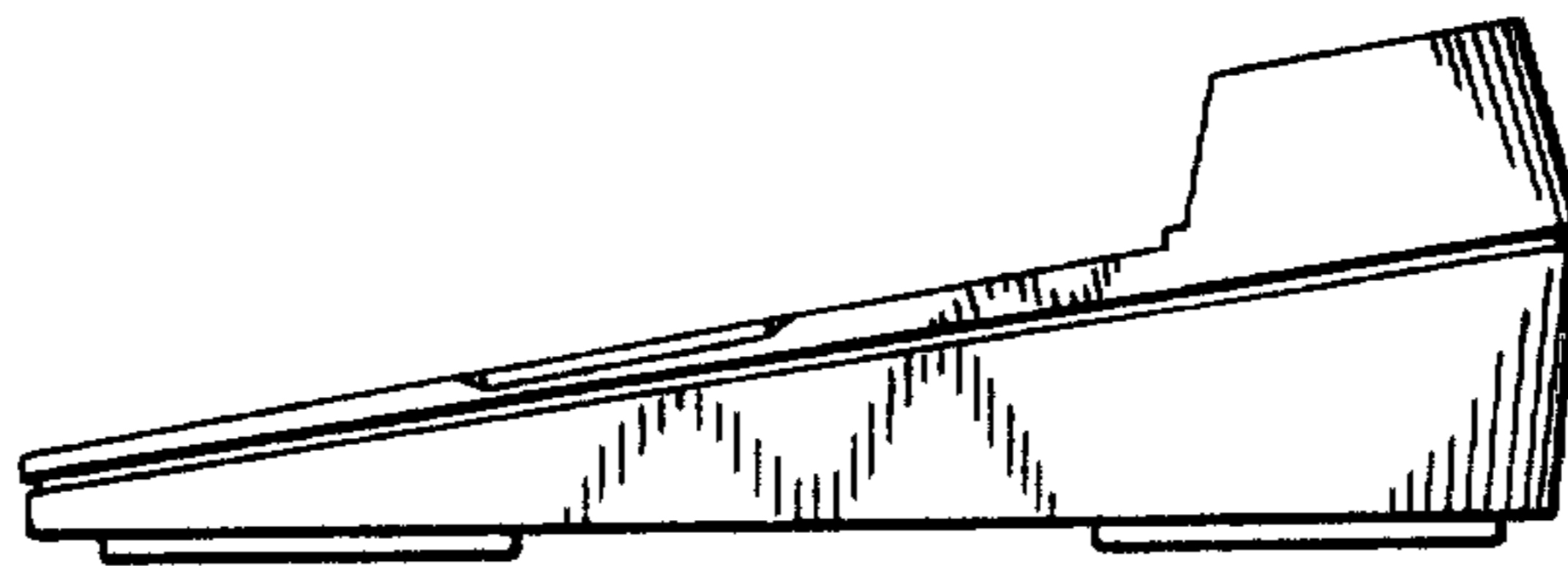


FIG. 3

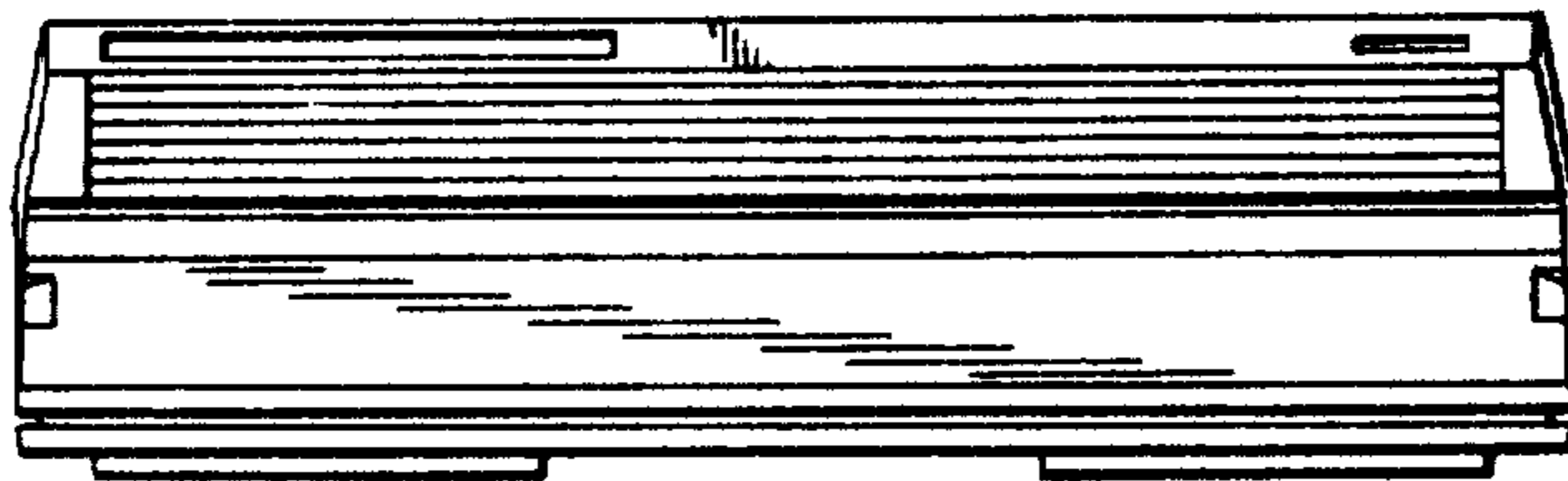


FIG. 4

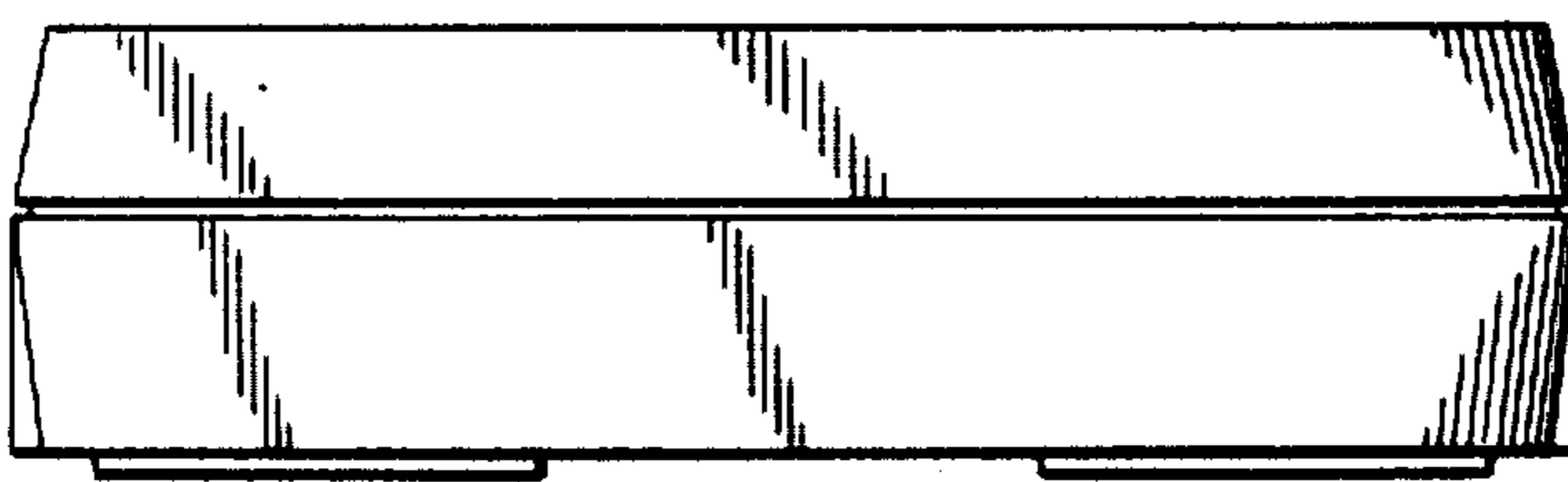


FIG. 5

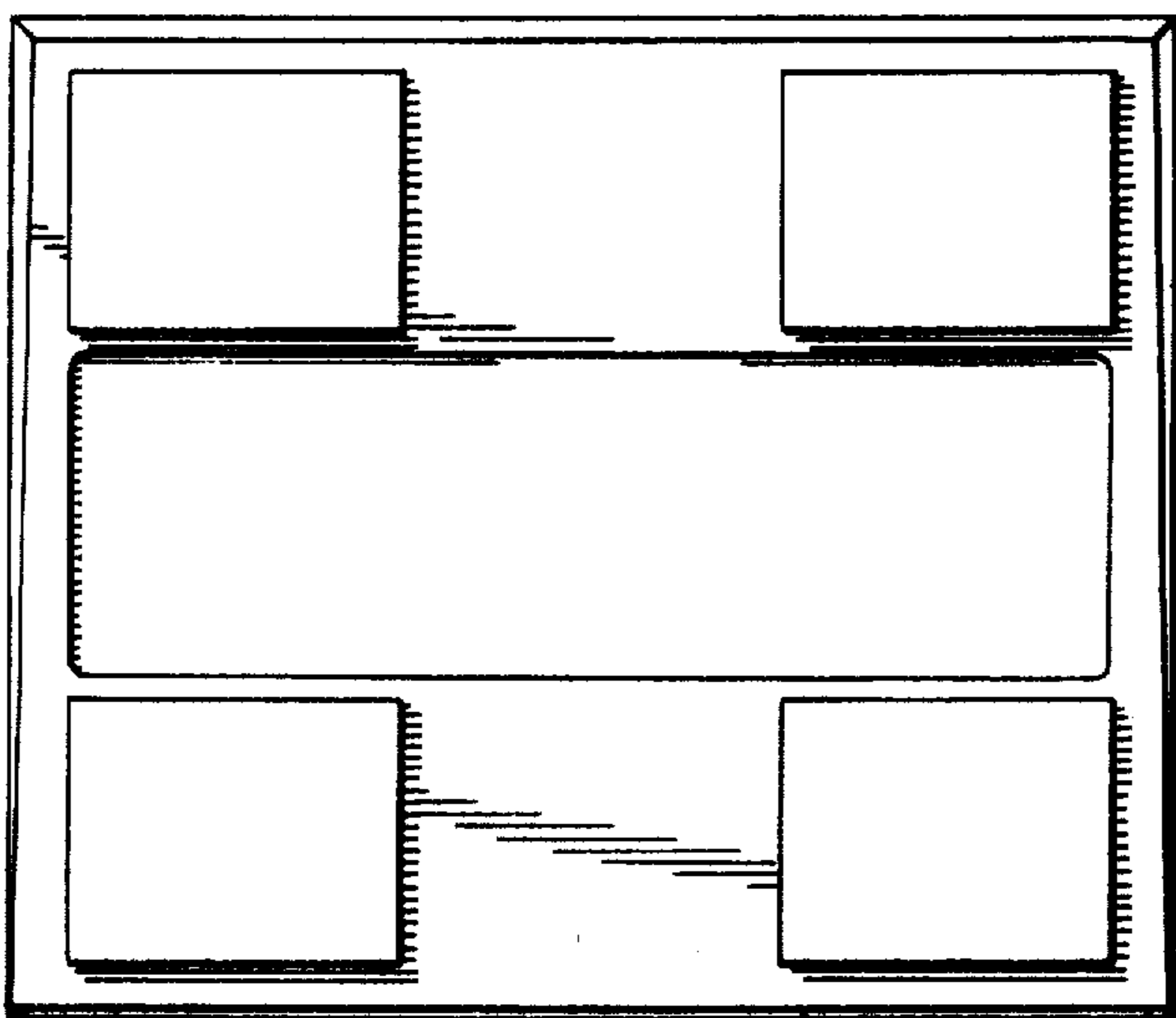


FIG. 6