

[54] COMBINED HOLDER AND DISPENSER FOR ROLLS OF TAPE

[76] Inventor: Gene L. Mayo, 135 Dolton Ave., San Carlos, Calif. 94070

[**] Term: 14 Years

[21] Appl. No.: 316,822

[22] Filed: Nov. 2, 1981

[51] Int. Cl. D19-02

[52] U.S. Cl. D19/67; D3/74; D19/89; D34/46

[58] Field of Search D19/75, 76, 66-69, D19/89; 206/394, 387, 407, 397, 391, 411; 312/39-41, 10, 91; 242/55.3, 55.42, 55.53, 55.52; 221/123, 124; D3/35, 74; D34/40-46; D6/189

[56] References Cited

U.S. PATENT DOCUMENTS

D. 256,643	9/1980	Johnson	D6/189
D. 259,748	7/1981	Outgalt	D3/35
2,015,283	9/1935	Pashley et al.	206/394
3,987,897	10/1976	Smith	206/394
4,252,258	2/1981	Plummer	206/394

OTHER PUBLICATIONS

Sealomatic Dispenser Co. Flyer, 1968, p. 4, top right. Lit-Ning Products Co., Cat. No. L-67A, ©1966, p. 10, Item, bottom left.

Primary Examiner—George P. Word
Attorney, Agent, or Firm—Owen, Wickersham & Erickson

[57] CLAIM

The ornamental design for a combined holder and dispenser for rolls of tape, substantially as shown and described.

DESCRIPTION

FIG. 1 is a perspective view of a combined holder and dispenser for rolls of tape showing my new design, the broken line disclosure being for illustration purposes only;

FIG. 2 is a top plan view thereof;

FIG. 3 is a reduced scale side elevational view thereof;

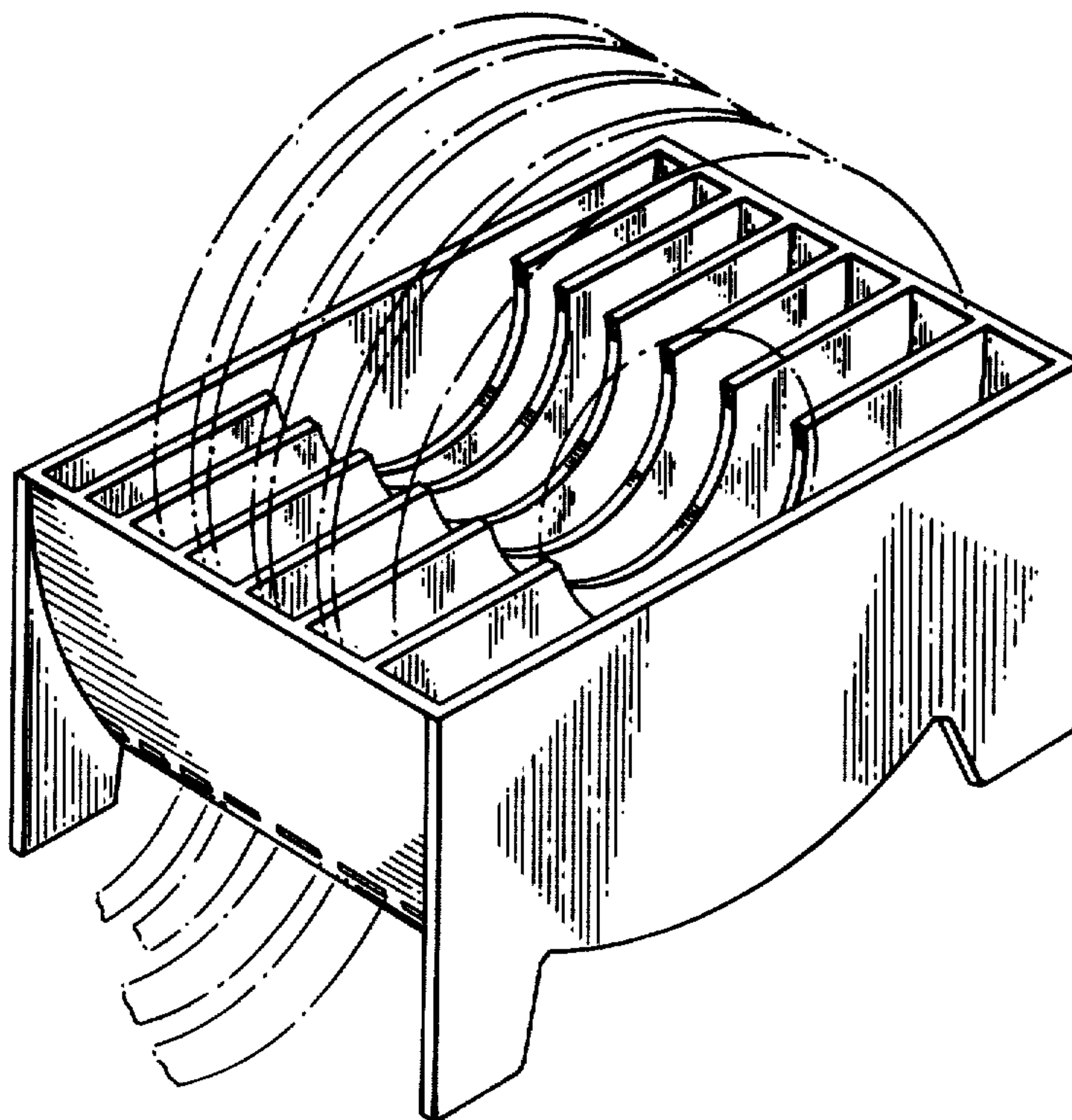
FIG. 4 is a front elevational view thereof;

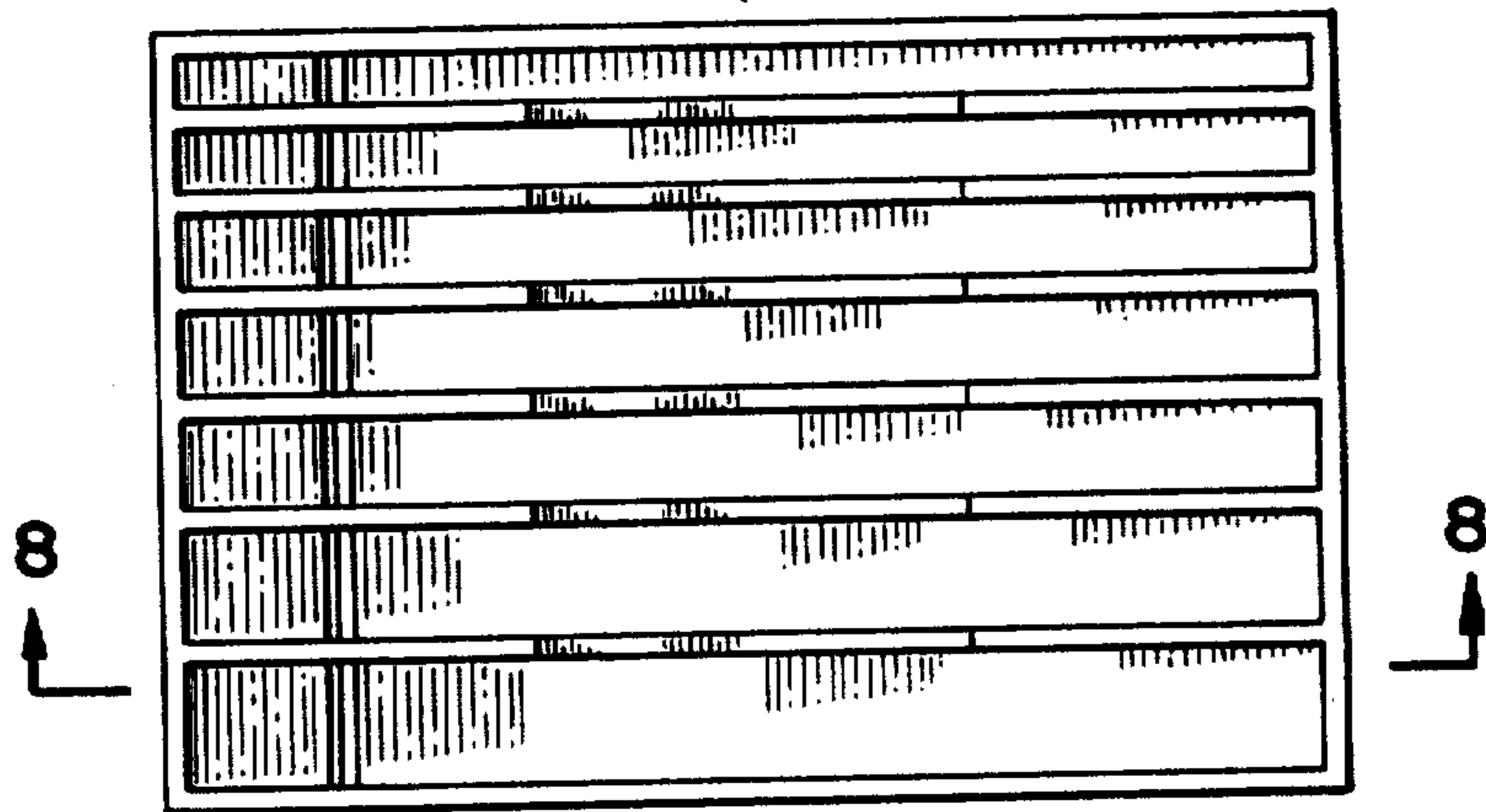
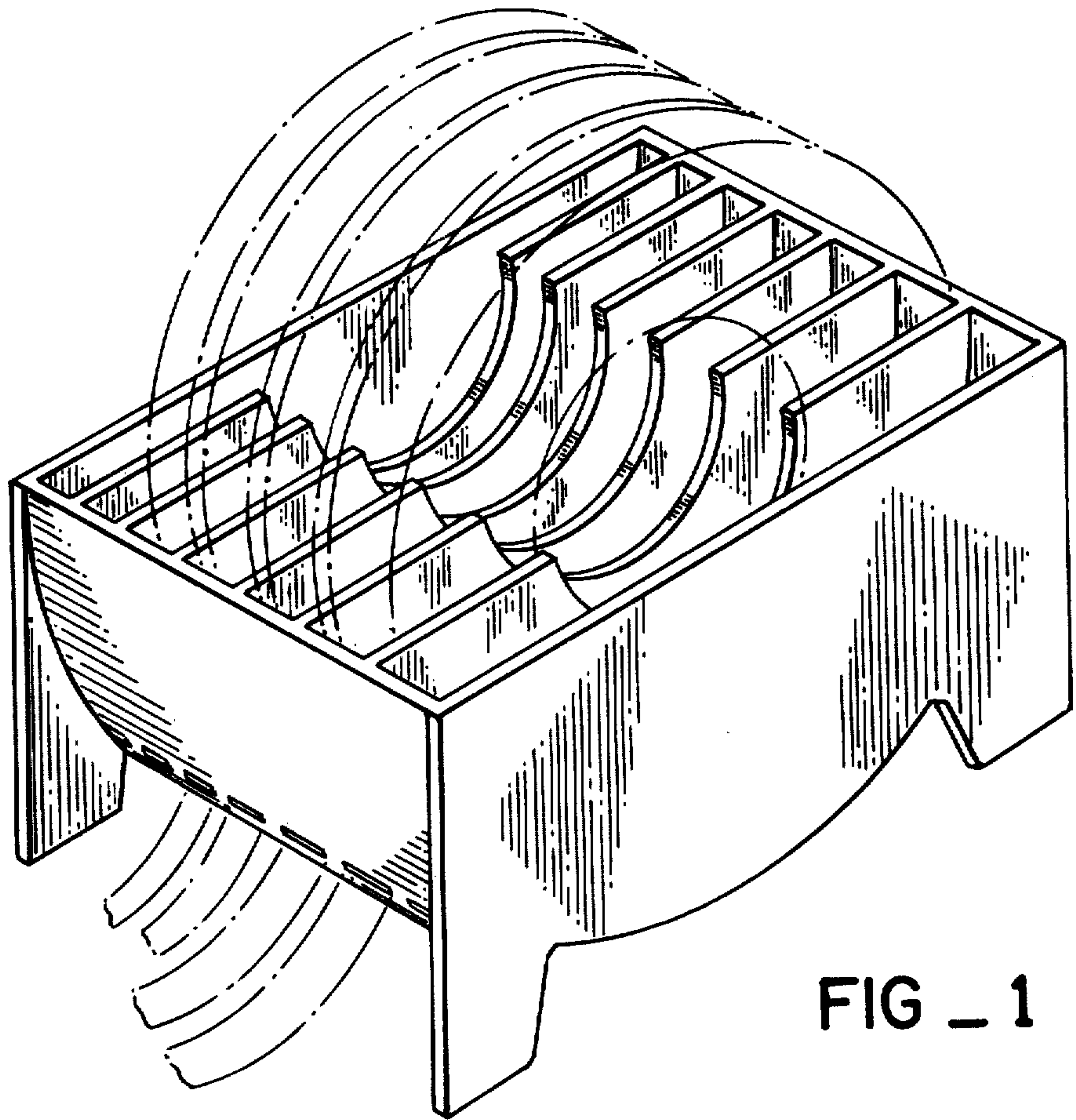
FIG. 5 is a rear elevational view thereof;

FIG. 6 is a bottom plan view thereof;

FIG. 7 is a cross-sectional view taken along line 7—7 of FIG. 2; and

FIG. 8 is a cross-sectional view taken along line 8—8 of FIG. 2.





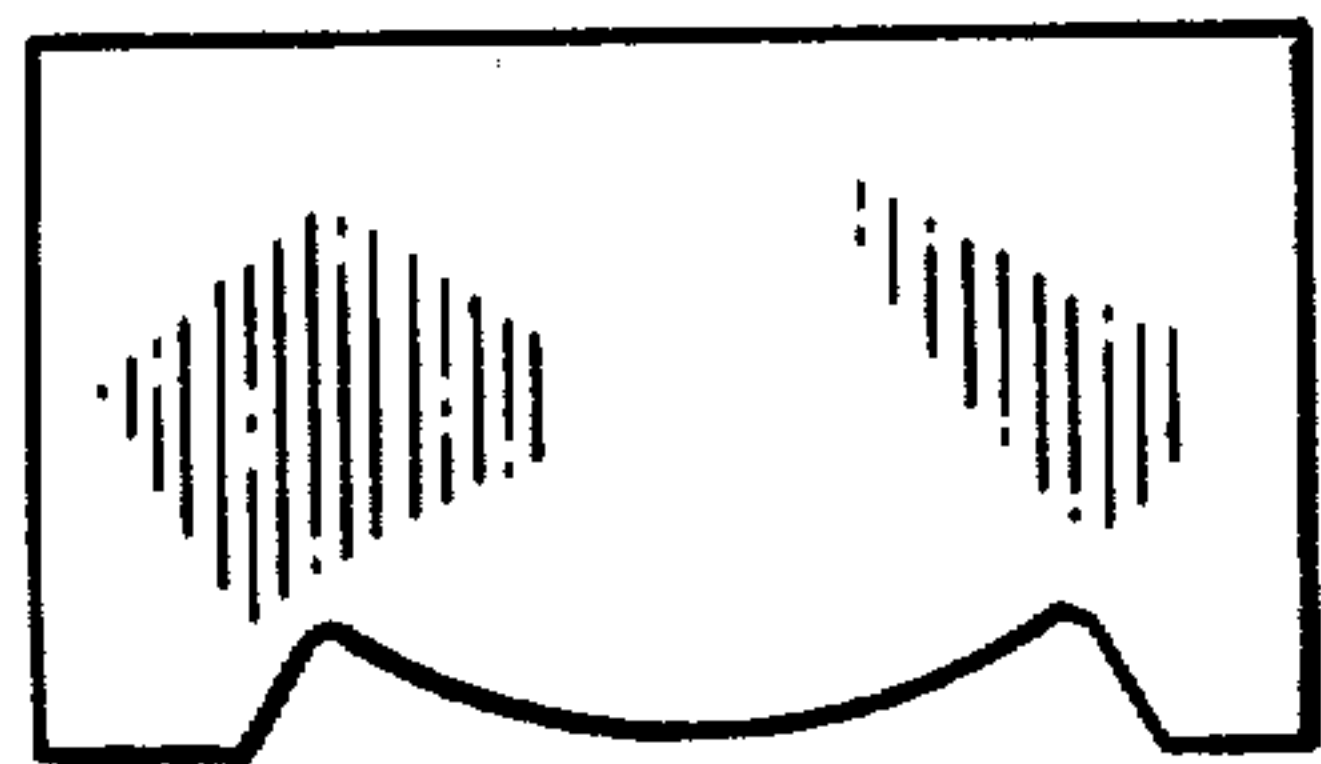


FIG _ 3

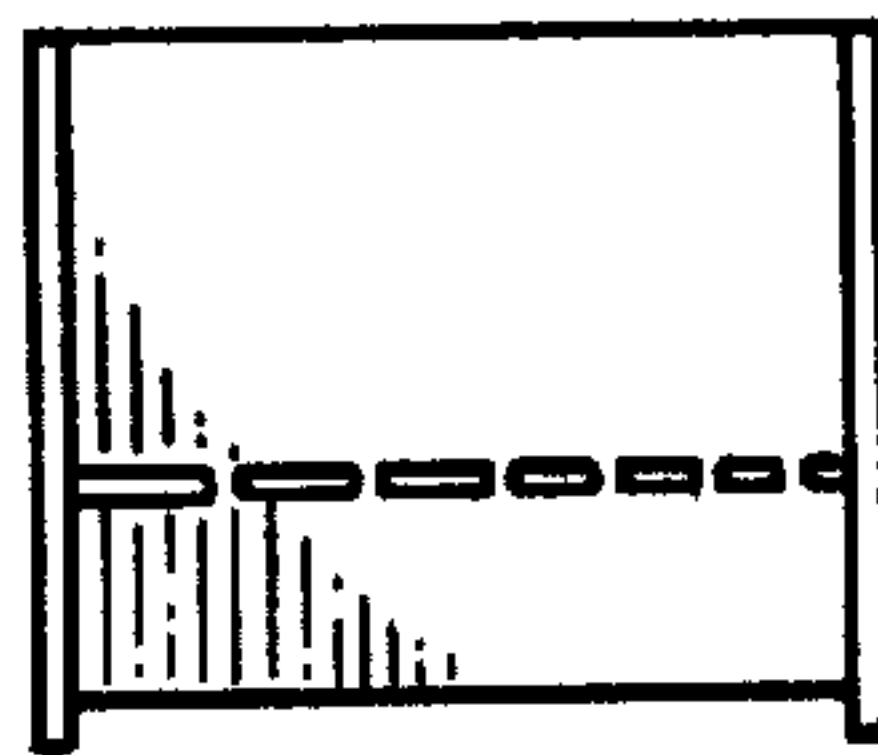


FIG _ 4

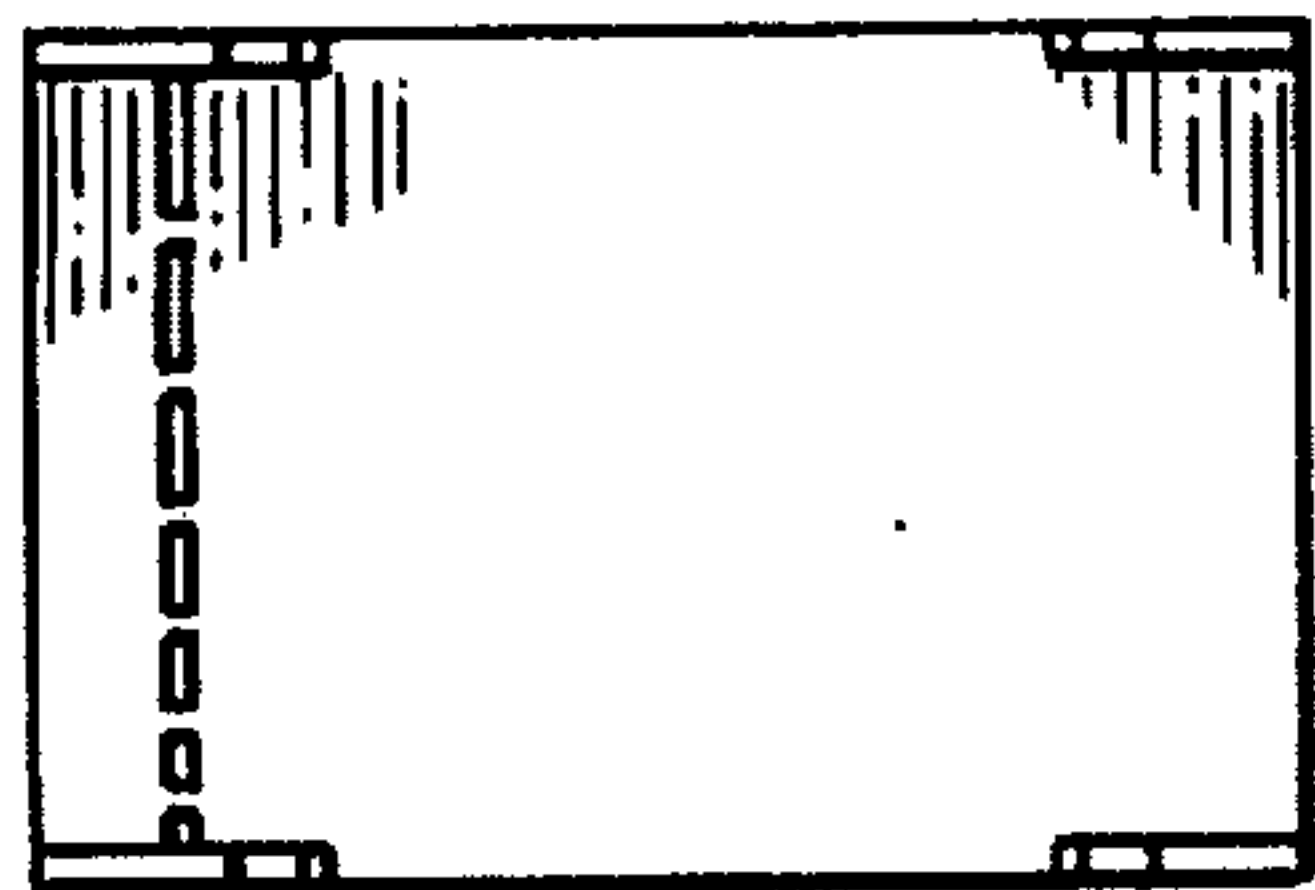


FIG _ 6

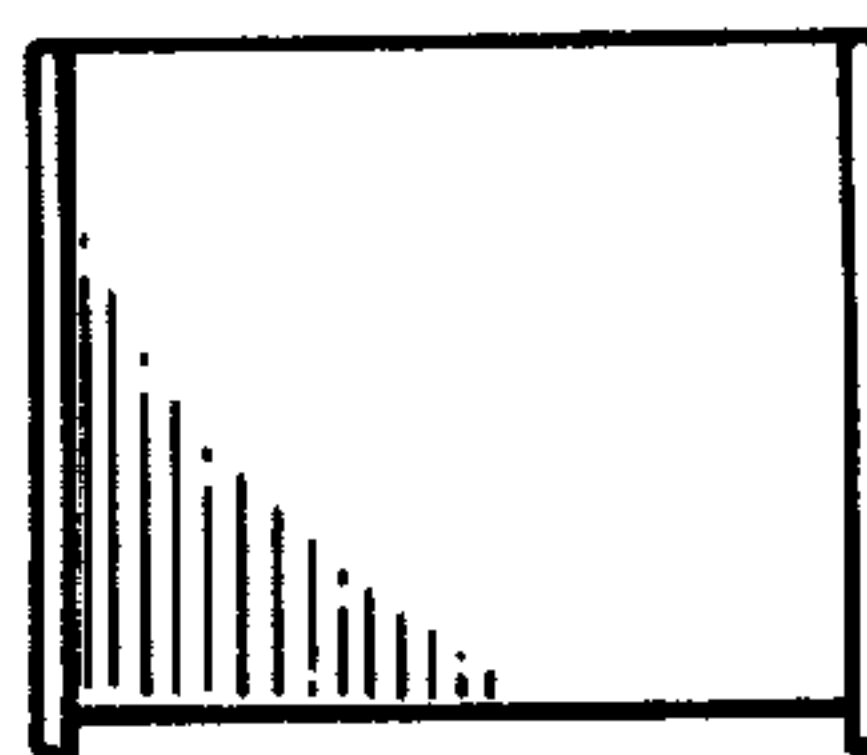


FIG _ 5

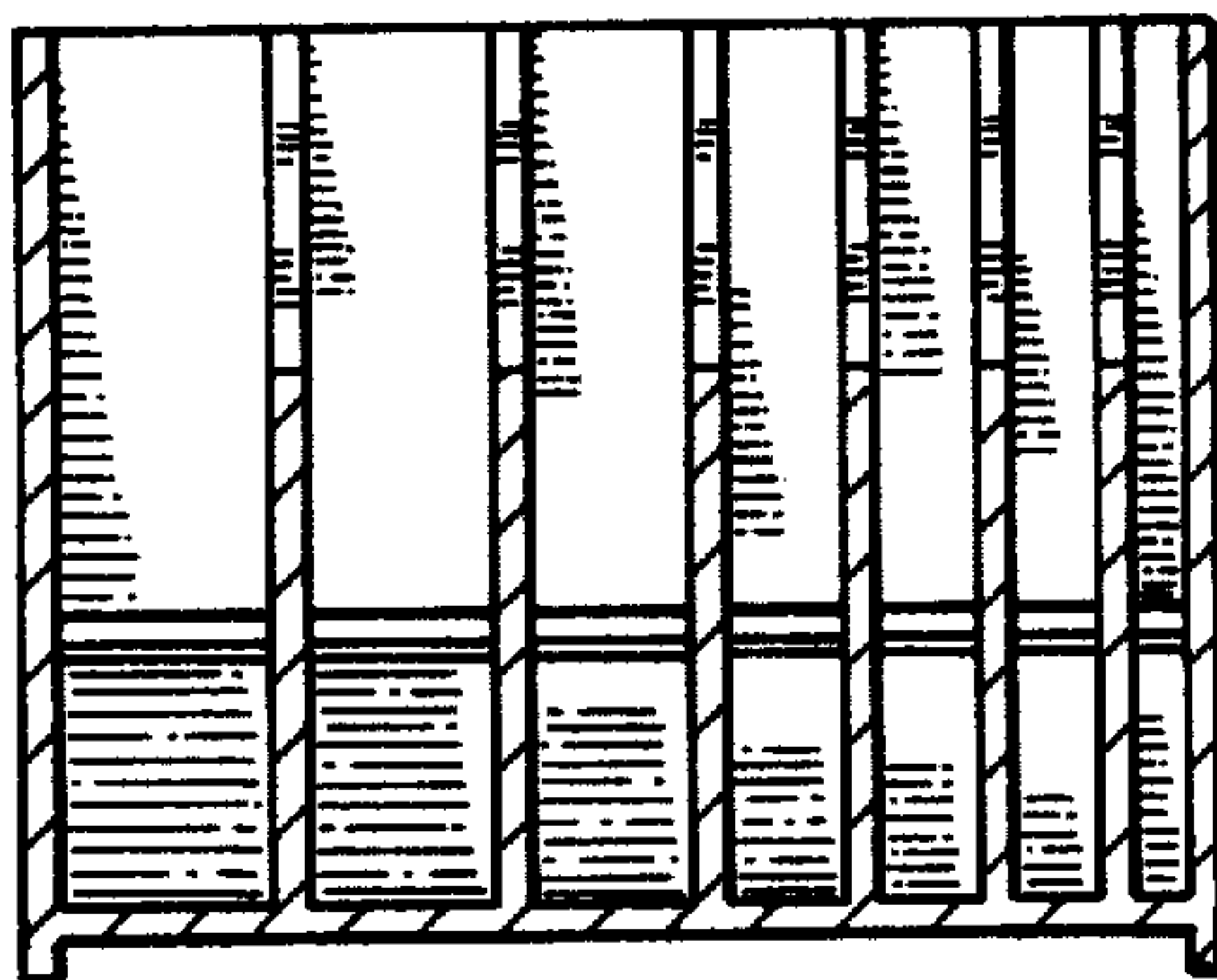


FIG _ 7

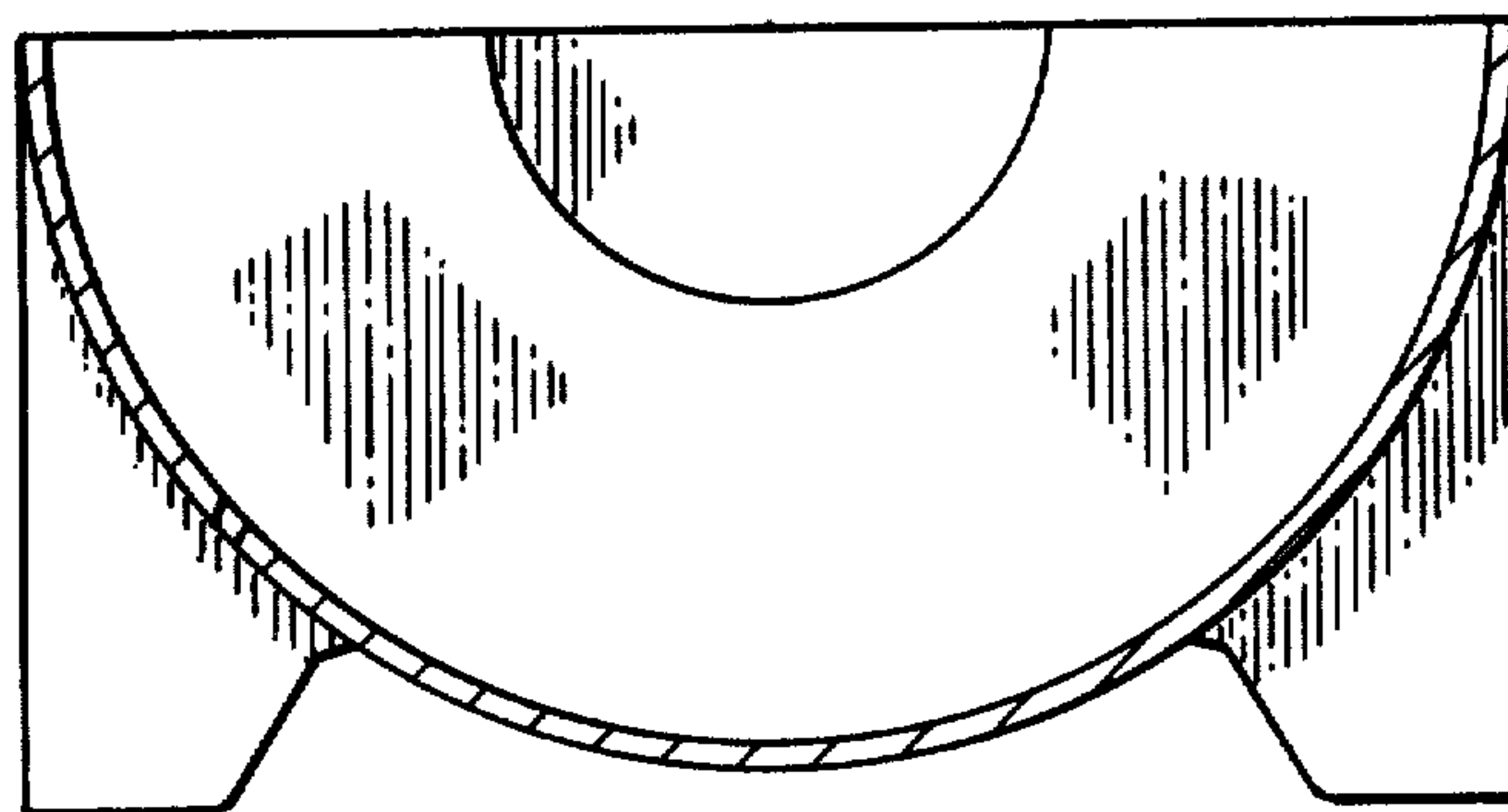


FIG _ 8