

[54] DRIVING LEVER FOR A LABELLING APPARATUS

[75] Inventor: Werner Becker, Hirschhorn, Fed. Rep. of Germany

[73] Assignee: Esselte Pendaflex Corporation, Garden City, N.Y.

[**] Term: 14 Years

[21] Appl. No.: 218,642

[22] Filed: Dec. 22, 1980

[30] Foreign Application Priority Data
Jul. 4, 1980 [CH] Switzerland 111268

[51] Int. Cl. D18-99
[52] U.S. Cl. D18/19; D18/22
[58] Field of Search D18/14, 19, 22, 99;
101/288; 156/384, DIG. 48, DIG. 49

[56] References Cited
U.S. PATENT DOCUMENTS

4,057,452	11/1977	Sato	101/288 X
4,072,105	2/1978	Becker et al.	101/288
4,144,810	3/1979	Sato	156/384 X
4,149,462	4/1979	Sato	101/288 X

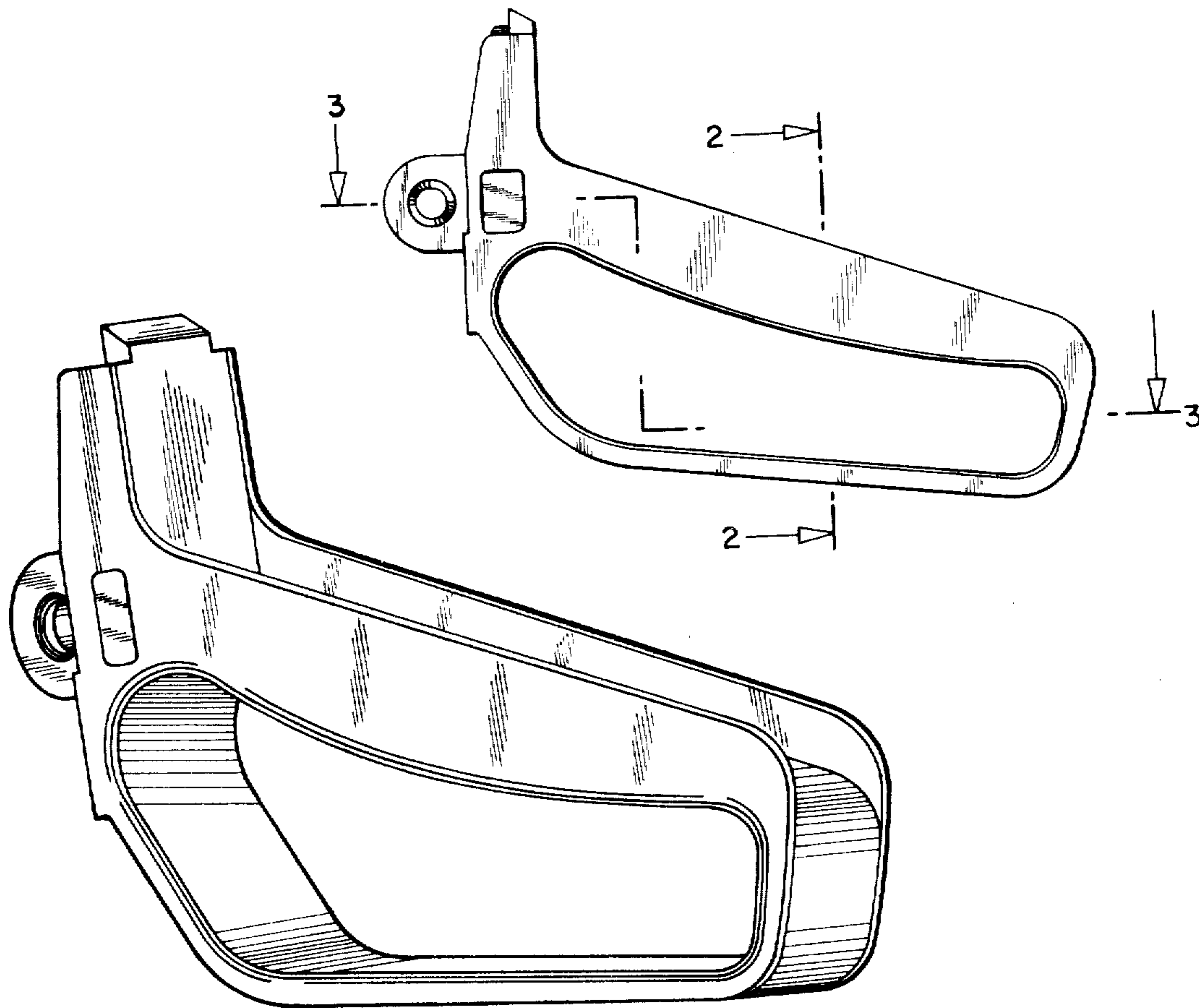
Primary Examiner—Louis S. Zarfes
Attorney, Agent, or Firm—Hedman, Casella, Gibson, Costigan and Hoare

[57] CLAIM

The ornamental design for driving lever for a labelling apparatus, as shown.

DESCRIPTION

FIG. 1 is a side elevational view of the driving lever for a labelling apparatus embodying my new design; FIG. 2 is a cross-sectional view taken along line 2—2 in FIG. 1; FIG. 3 is a cross-sectional view taken along line 3—3 in FIG. 1; FIG. 4 is a top plan view thereof; FIG. 5 is a front elevational view thereof; and FIG. 6 is a perspective view taken from the rear of the driving lever for a labelling apparatus embodying my new design.



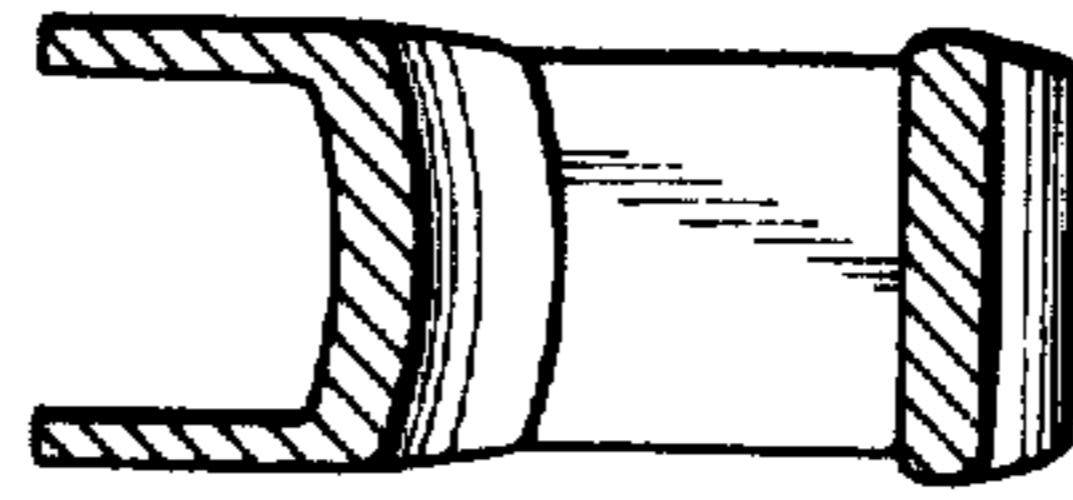
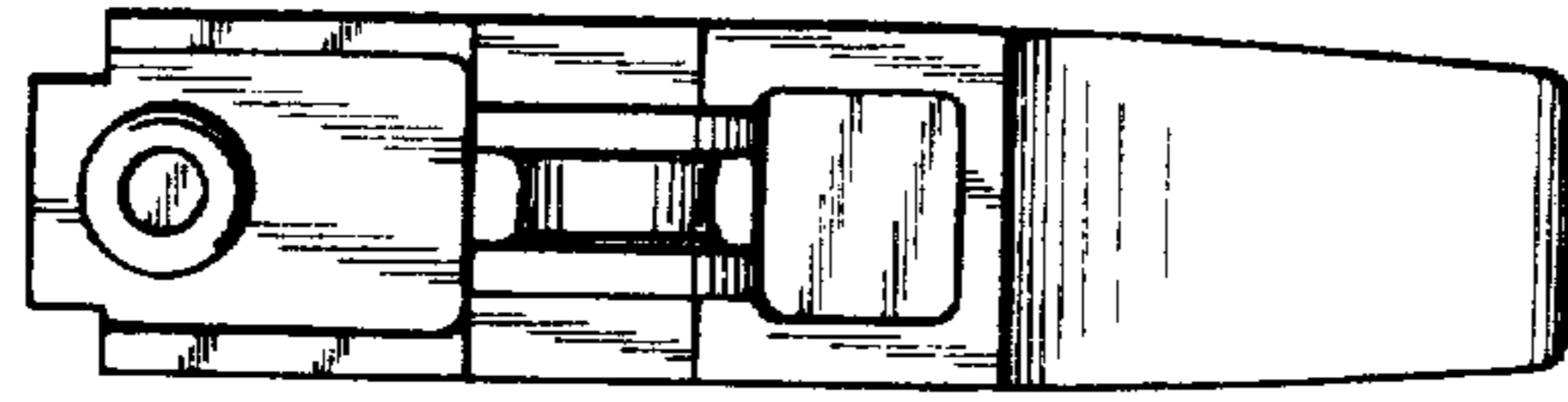
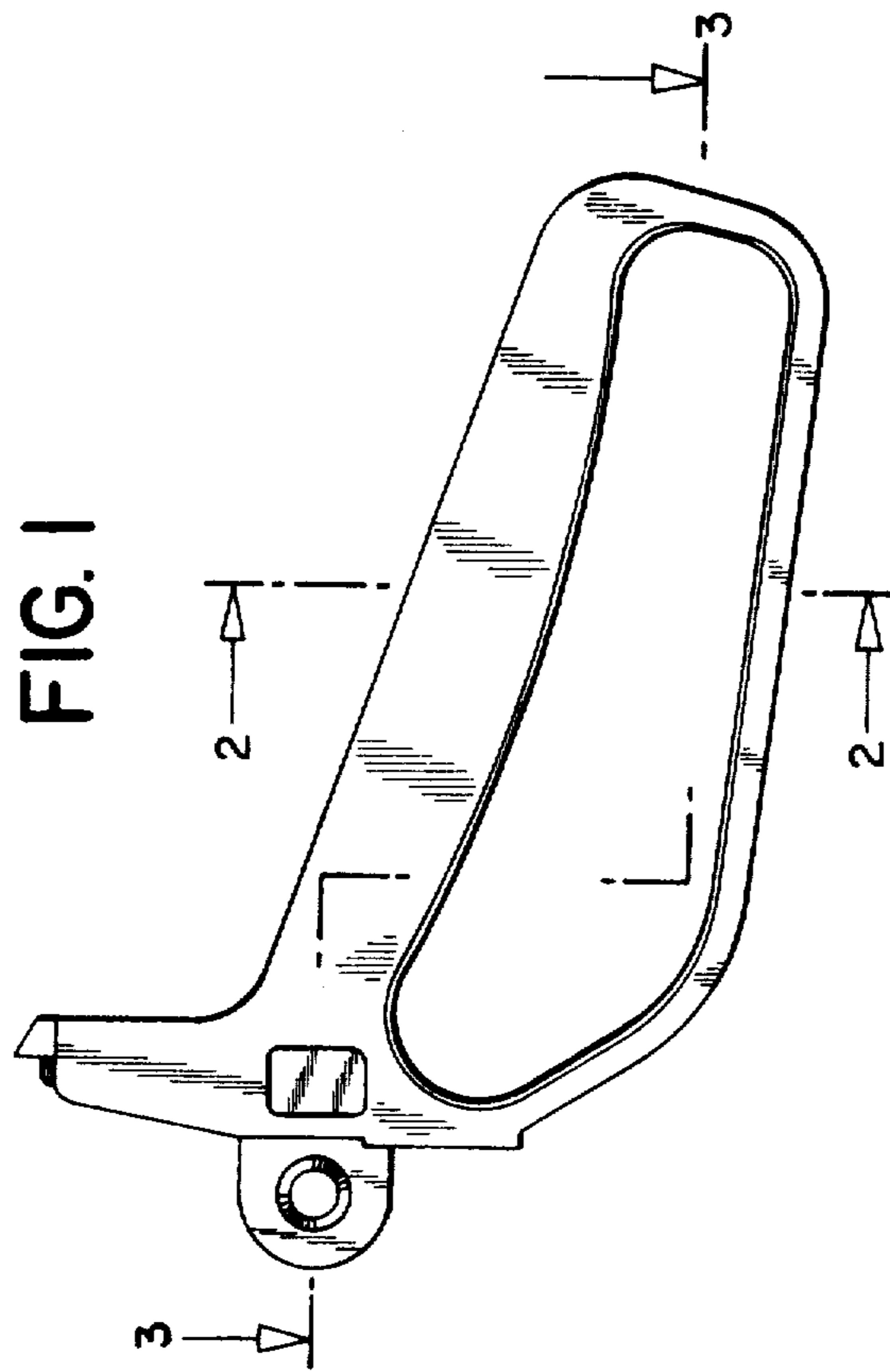


FIG. 5

FIG. 2

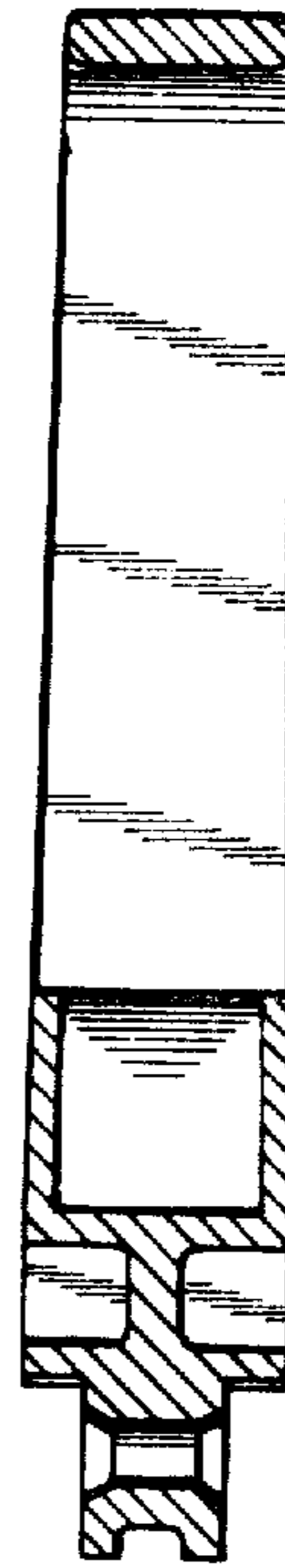


FIG. 3

FIG. 4

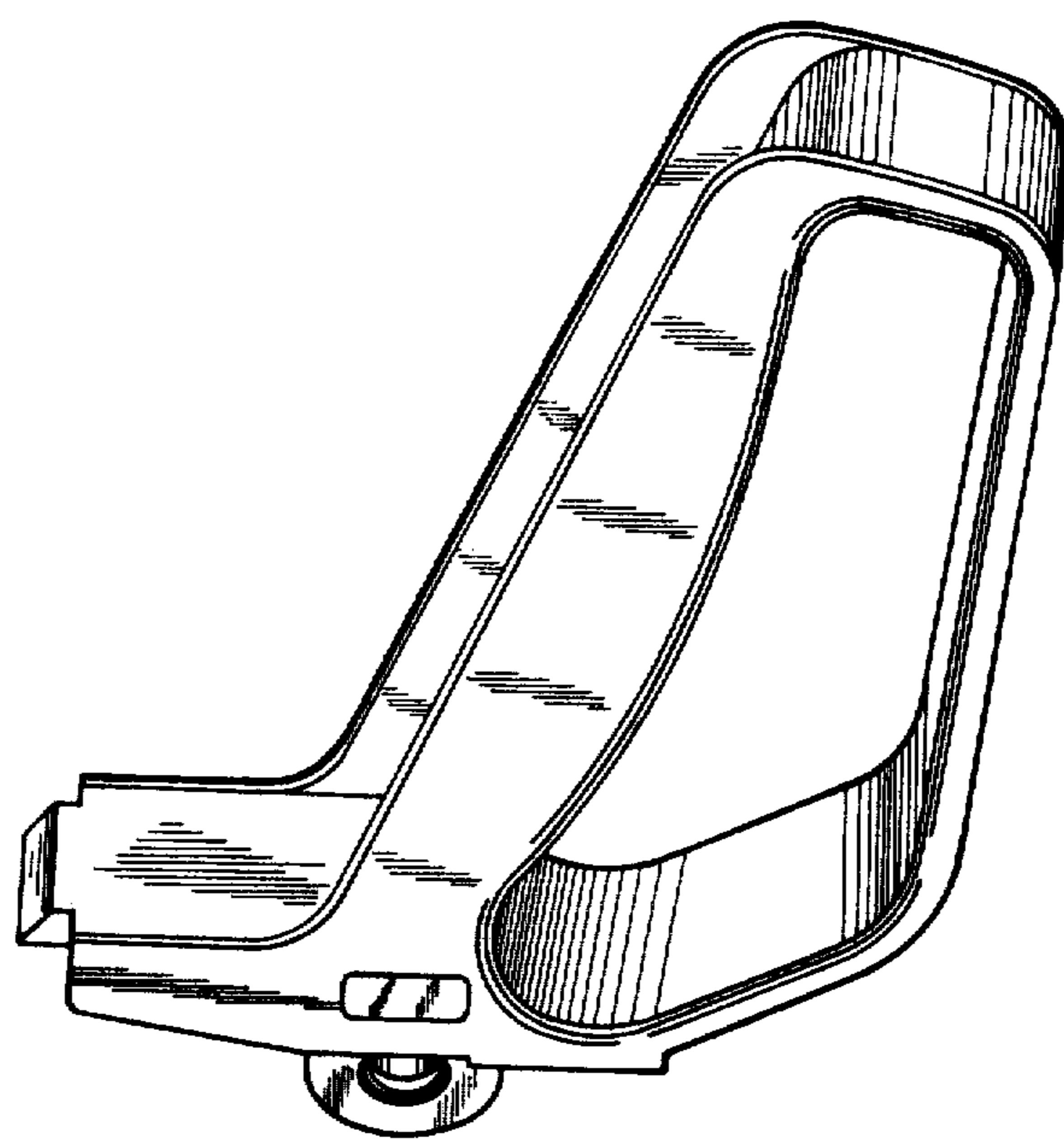


FIG. 6