

[54] PORTABLE DATA TERMINAL

[75] Inventors: John B. MacDonald, Boston, Mass.; Jack E. Schenkel, Mason, Ohio

[73] Assignee: Cincinnati Milacron Industries, Inc., Cincinnati, Ohio

[**] Term: 14 Years

[21] Appl. No.: 260,357

[22] Filed: May 4, 1981

[51] Int. Cl. D14-02; D13-03

[52] U.S. Cl. D14/106; D13/41

[58] Field of Search D13/40, 41; 361/331, 361/332, 380, 381, 390; D14/100-114; 340/365 R, 700, 711, 712, 720; 364/900; 312/223

[56] References Cited

U.S. PATENT DOCUMENTS

D. 254,005 1/1980 Reid et al. D14/106

FOREIGN PATENT DOCUMENTS

2505229 8/1976 Fed. Rep. of Germany 361/331

OTHER PUBLICATIONS

Computer Design, 10/77, p. 123, Datamedia Corp., Portable Elite 1520A Video Terminal.

Datamation, 3/75, p. 39, Adds "Envoy" Portable Terminal.

Primary Examiner—Susan J. Lucas
Attorney, Agent, or Firm—John W. Gregg

[57] CLAIM

The ornamental design for the portable data terminal, as shown and described.

DESCRIPTION

FIG. 1 is an isometric view of the portable data terminal of our new design, showing the front, and right side with the handle rotated to a first support position and with the front panel closed;

FIG. 2 is an isometric view thereof showing the rear, bottom, and left side, the handle and front panel in the position shown in FIG. 1;

FIG. 3 is an isometric view similar to FIG. 1, but showing the front panel open;

FIG. 4 is an isometric view of the terminal being in a vertical position with the front panel closed and the handle rotated to a carry position;

FIG. 5 is an isometric view of the terminal on a reduced scale, the terminal being in a vertical position with the front panel open and the handle rotated to a second support position.

The keyboard is shown in broken lines on the inside surface of the front panel for illustrative purposes only.

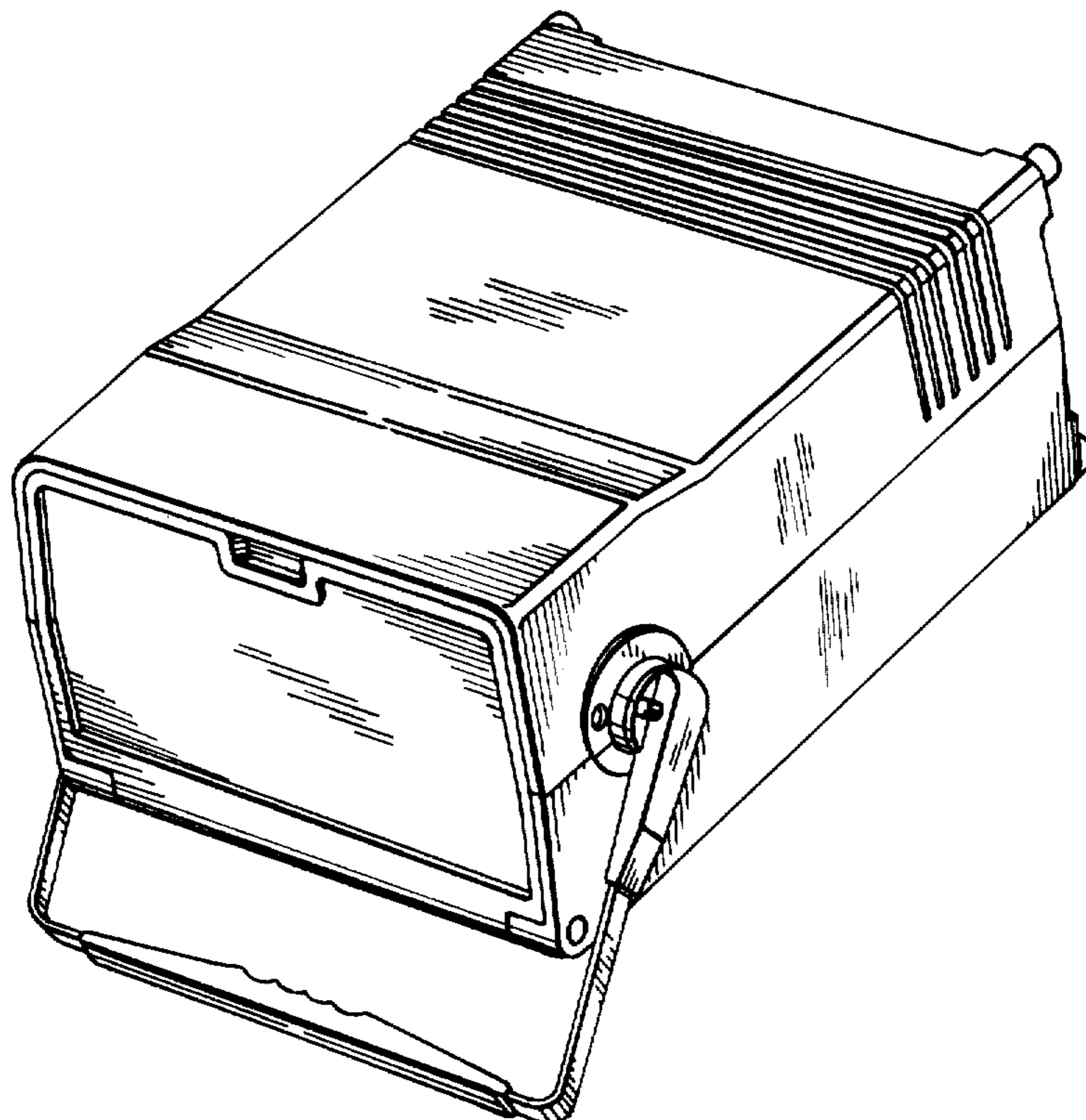


FIG-1

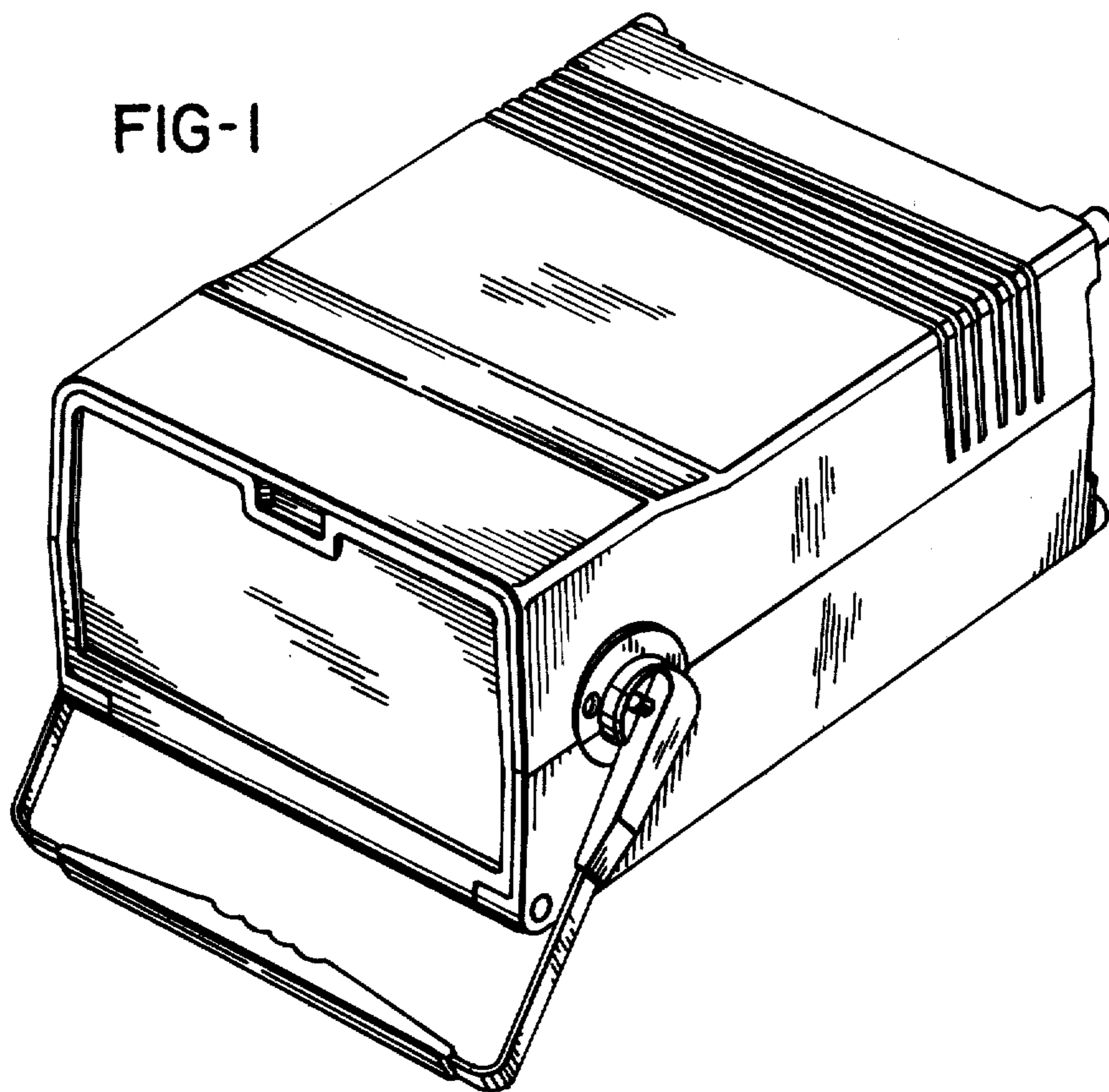


FIG-2

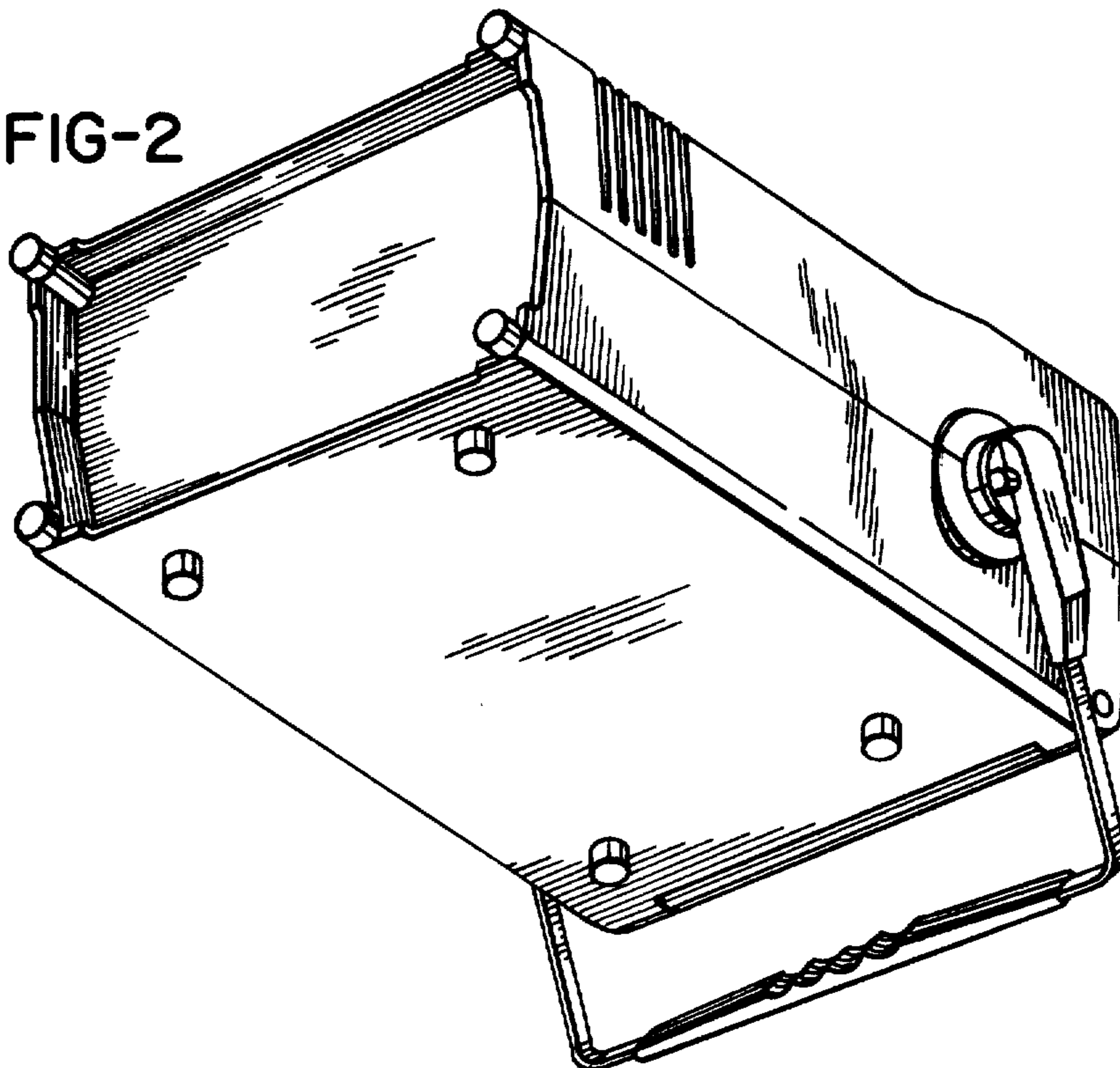


FIG-3

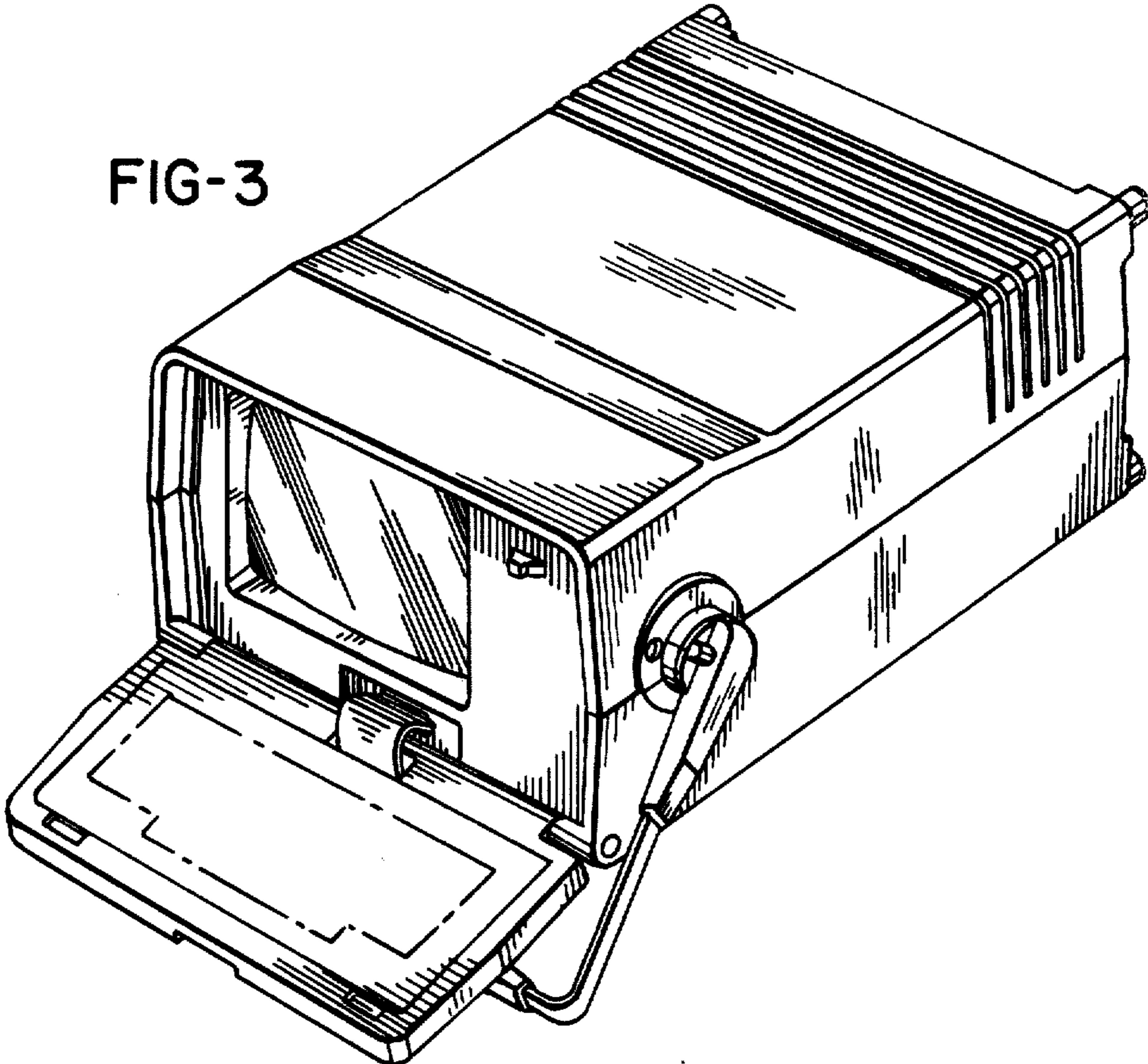


FIG-4

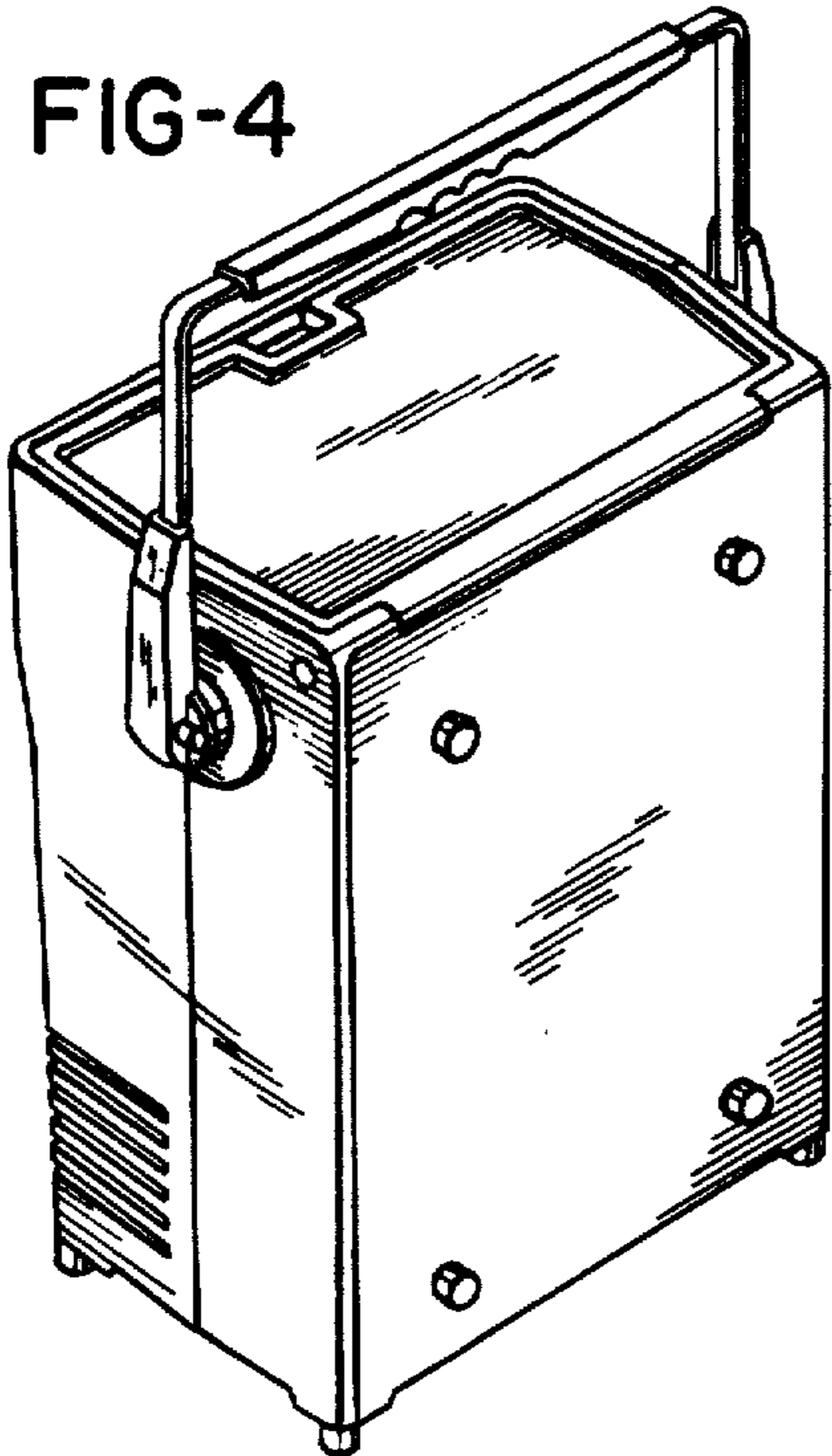


FIG-5

